

SAW Filter 1561.0MHz
Part No: MP04052

Model: TA0967A
Rev No: 1

A. MAXIMUM RATING:

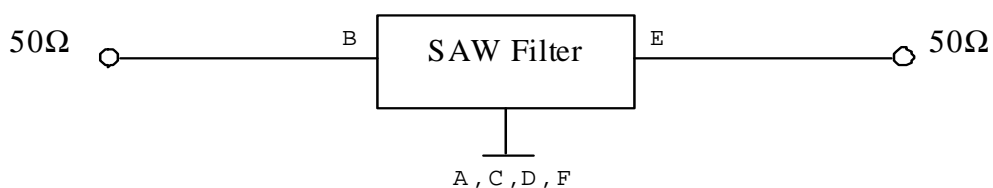
1. Input Power Level: 10dBm
2. DC Voltage: 3V
3. Operating Temperature: -40°C to +70°C
4. Storage Temperature: -40°C to +85°C

B. ELECTRICAL CHARACTERISTICS:

Item	Unit	Min.	Typ.	Max.	Note
Center Frequency Fc	MHz	-	1561	-	-
Insertion loss (1550.5 ~ 1571.5MHz) IL	dB	-	3.3	4	-
Amplitude ripple (1550.5 ~ 1571.5MHz)	dB	-	0.5	2	-
VSWR (1550.5 ~ 1571.5MHz)		-	1.5	2	-
Attenuation (Reference level from 0dB)					
Fc-500 to Fc-100 MHz	dB	45	49	-	-
Fc-100 to Fc-60 MHz	dB	40	45	-	-
Fc-60 to Fc-40 MHz	dB	20	32.5	-	-
Fc+40 to Fc+60 MHz	dB	20	26	-	-
Fc+60 to Fc+80 MHz	dB	35	43	-	-
Fc+80 to Fc+500 MHz	dB	45	50	-	-

C. MEASUREMENT CIRCUIT:

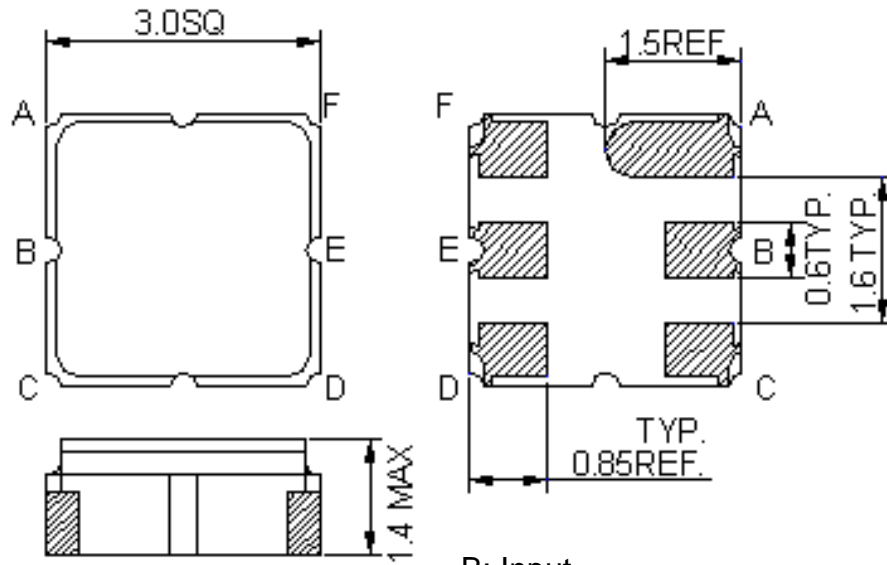
HP Network analyzer



SAW Filter 1561.0MHz
Part No: MP04052

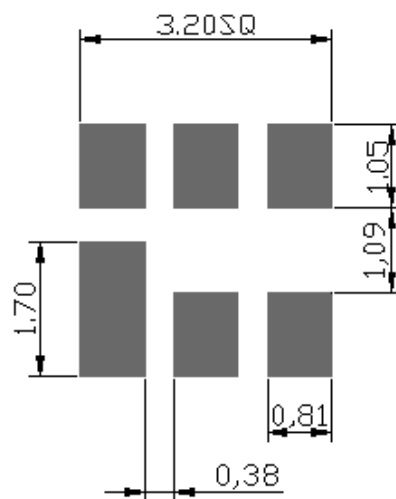
Model: TA0967A
Rev No: 1

D. OUTLINE DRAWING:



B: Input
 E: Output
 A, C, D, F: Ground
 Unit: mm

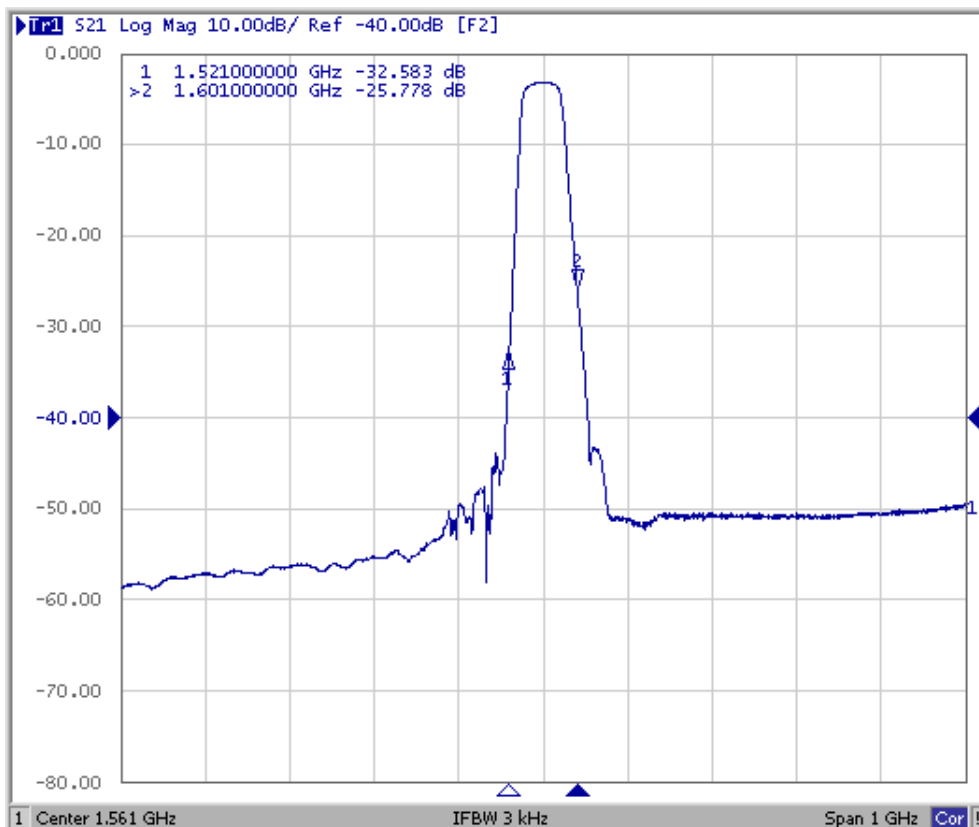
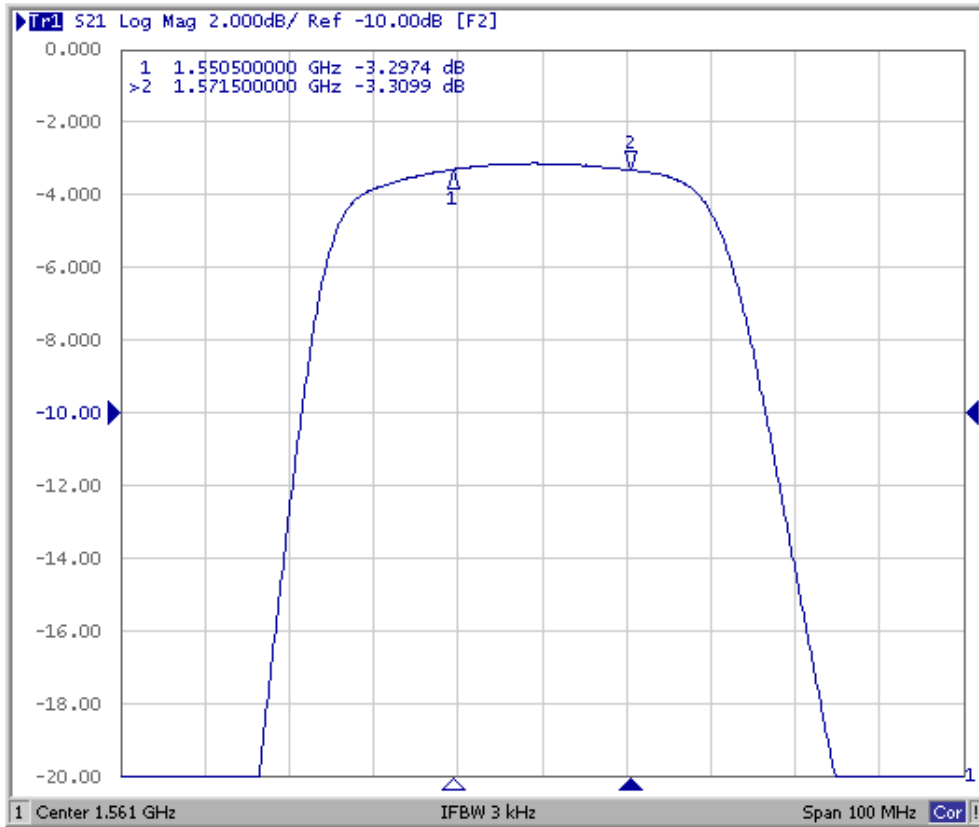
E. PCB FOOTPRINT:



SAW Filter 1561.0MHz
Part No: MP04052

Model: TA0967A
Rev No: 1

F. FREQUENCY CHARACTERISTICS:

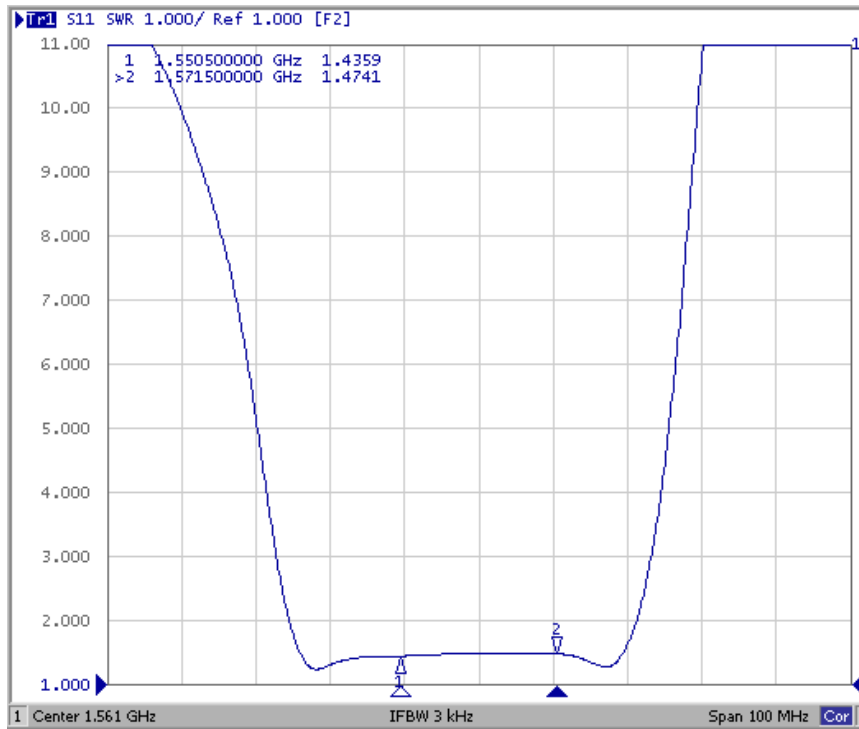


SAW Filter 1561.0MHz
Part No: MP04052

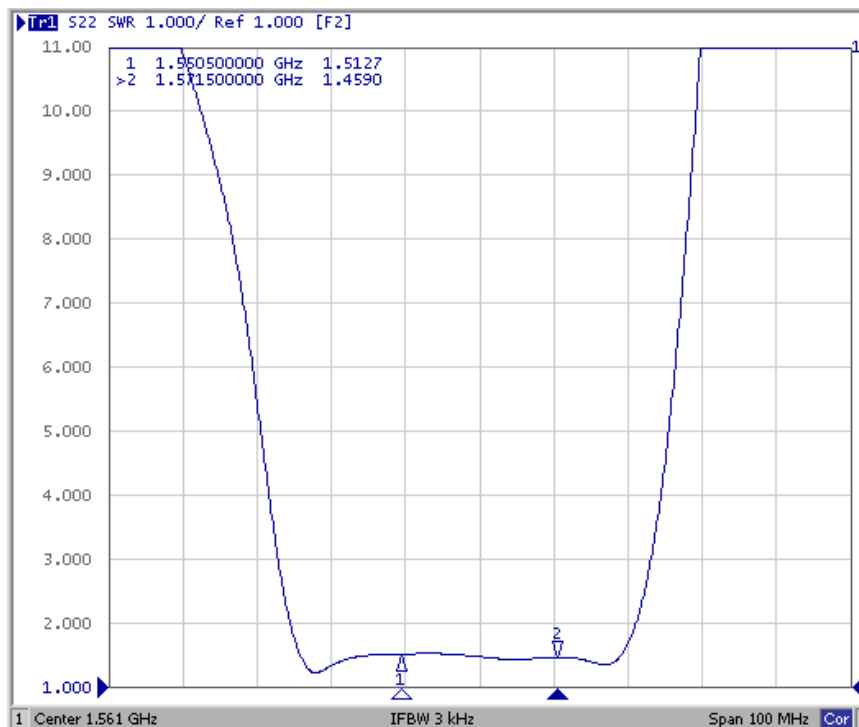
Model: TA0967A
Rev No: 1

Reflection Functions

S11



S22



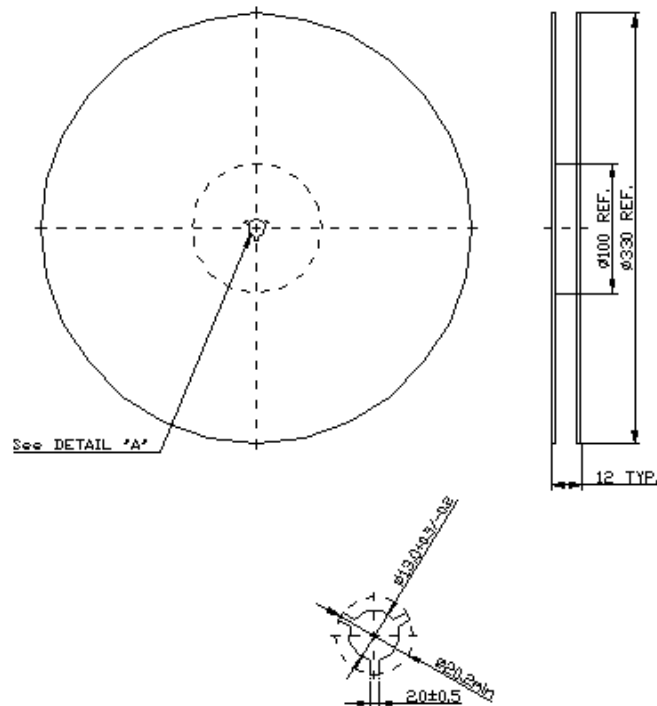
SAW Filter 1561.0MHz
Part No: MP04052

Model: TA0967A
Rev No: 1

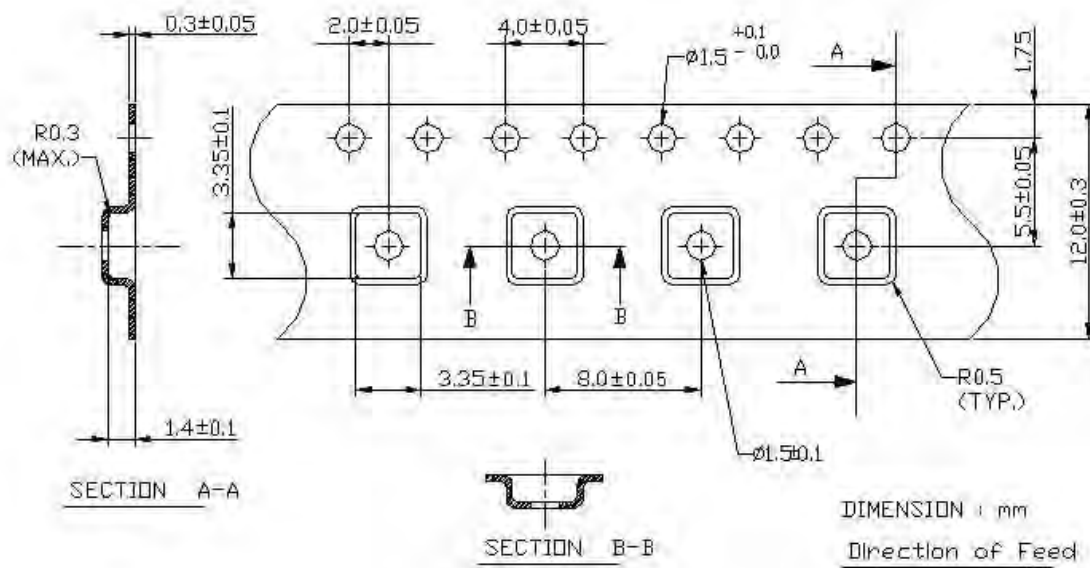
G. PACKING:

1. Reel Dimension

(Reel Count: 7" = 1000; 13" = 3000)



2. Tape Dimension



SAW Filter 1561.0MHz
Part No: MP04052

Model: TA0967A
Rev No: 1

H. RECOMMENDED REFLOW PROFILE:

