

SAW Filter 460.0MHz
Part No: MP04056

Model: TA1010A
Rev No: 1

A. MAXIMUM RATING:

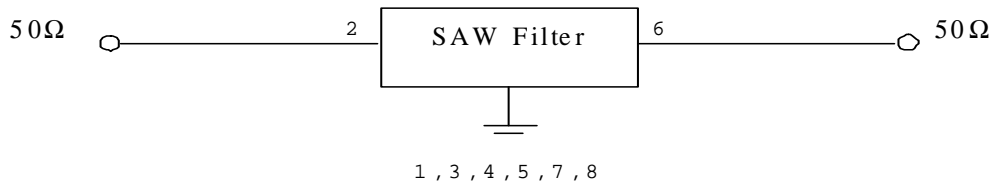
1. Input Power Level: 10dBm
2. DC Voltage: 5V
3. Operating Temperature: -30°C to +60°C
4. Storage Temperature: -40°C to +85°C

B. ELECTRICAL CHARACTERISTICS:

Item	Unit	Min.	Typ.	Max.
Center frequency Fc	MHz	-	460	-
Insertion loss (450 ~ 470MHz) IL	dB	-	2.6	3.2
Amplitude Ripple (450 ~ 470MHz)	dB	-	1.2	2.4
Return loss (450 ~ 470MHz)	dB	7	8.2	-
Attenuation (Reference level from 0dB)				
0.3 ~ 300MHz	dB	30	58	-
300 ~ 380MHz	dB	24	56	-
380 ~ 430MHz	dB	15	54	-
504.825 ~ 524.825MHz	dB	12	44	-
559.65 ~ 579.65MHz	dB	28	56	-
669.3 ~ 689.3MHz	dB	24	54	-
689.3 ~ 1000MHz	dB	26	44	-
Temperature Coefficient of Frequency	ppm/°C	-	-36	-

C. MEASUREMENT CIRCUIT:

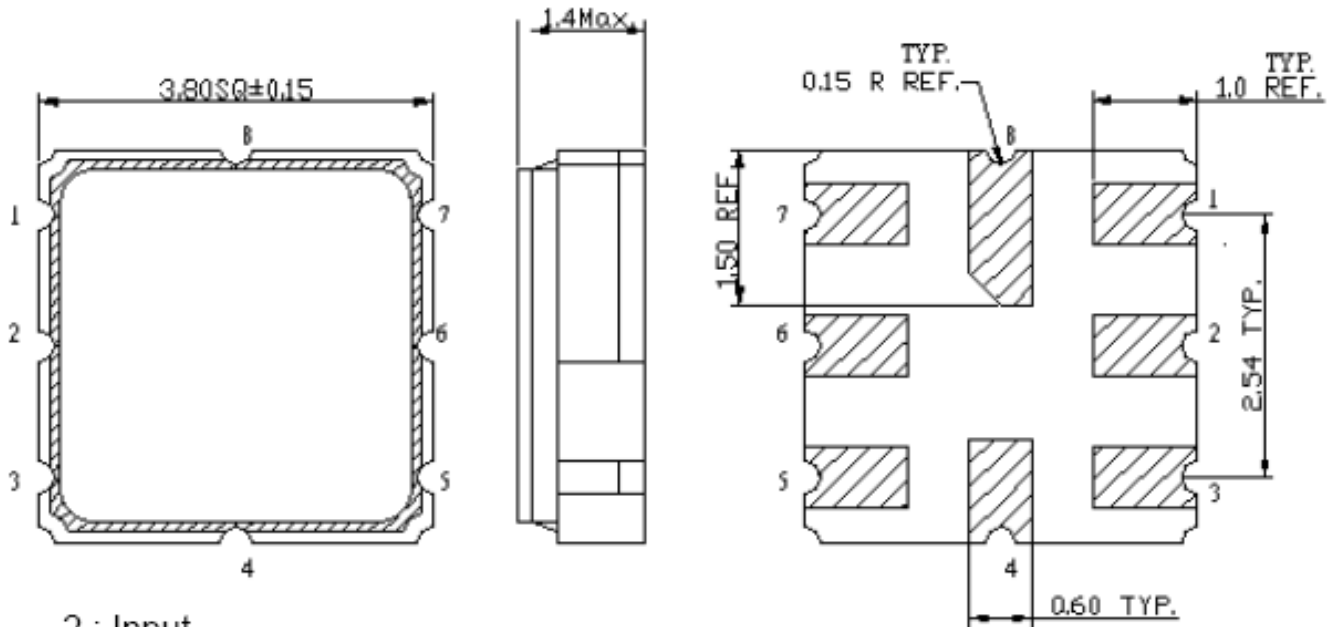
HP Network analyzer



SAW Filter 460.0MHz
Part No: MP04056

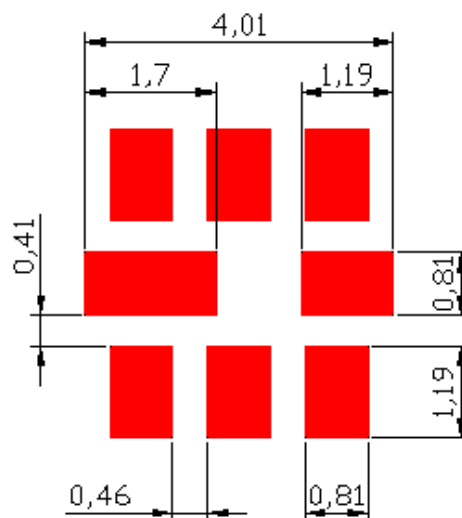
Model: TA1010A
Rev No: 1

D. OUTLINE DRAWING:



2 : Input
 6 : Output
 1,3,4,5,7,8: Ground

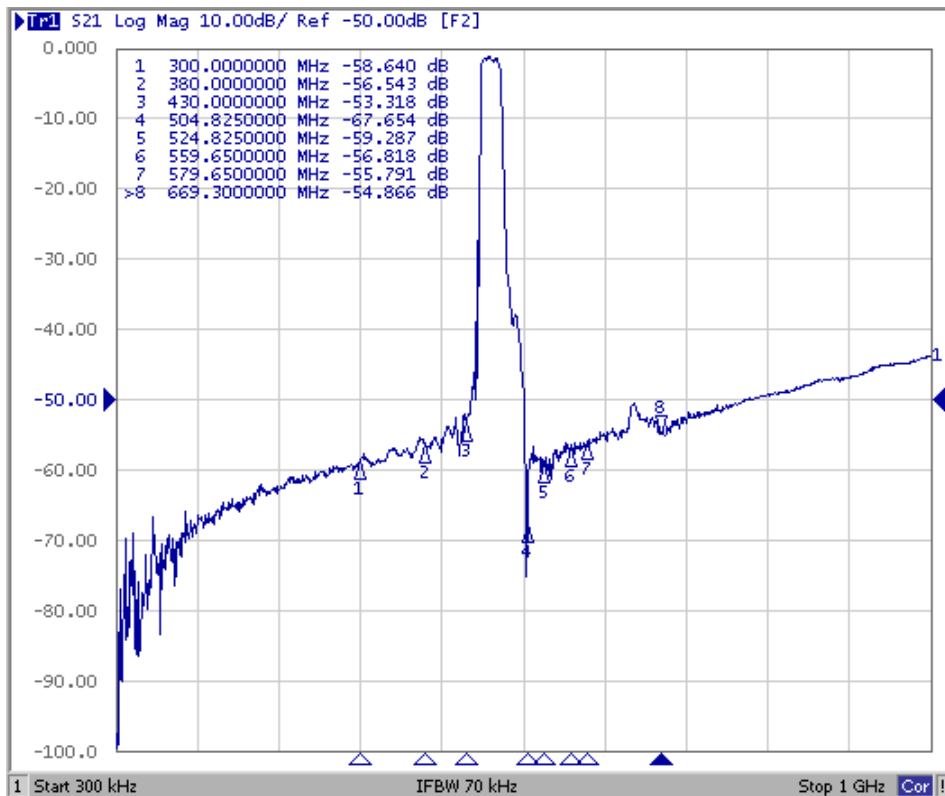
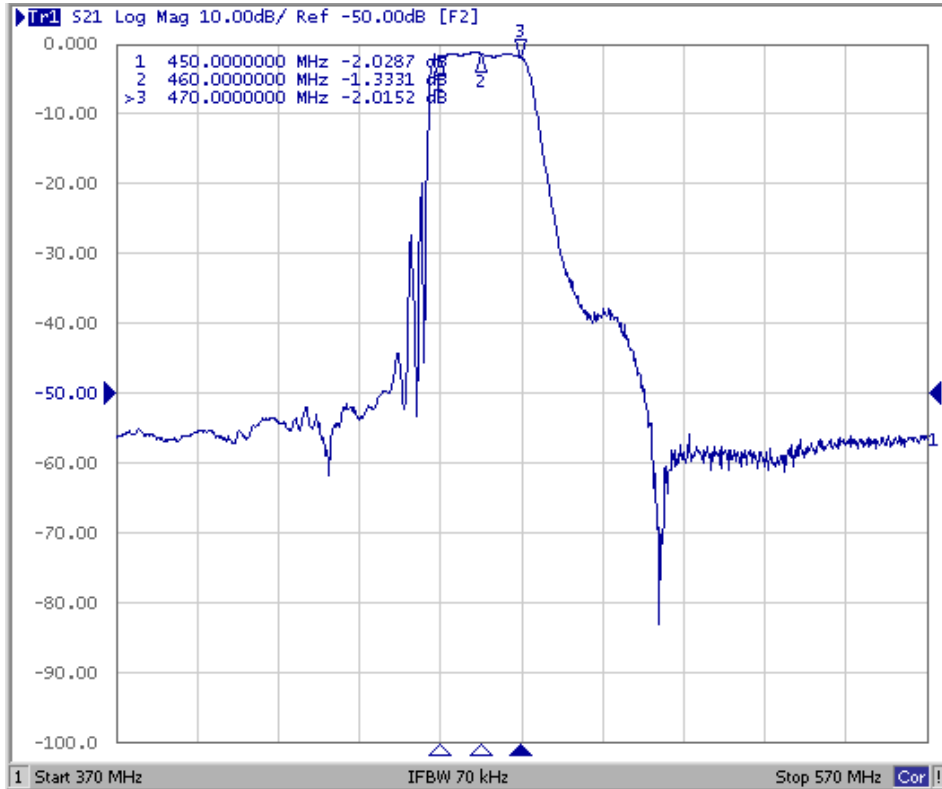
E. PCB FOOTPRINT:



SAW Filter 460.0MHz
Part No: MP04056

Model: TA1010A
Rev No: 1

F. FREQUENCY CHARACTERISTICS:

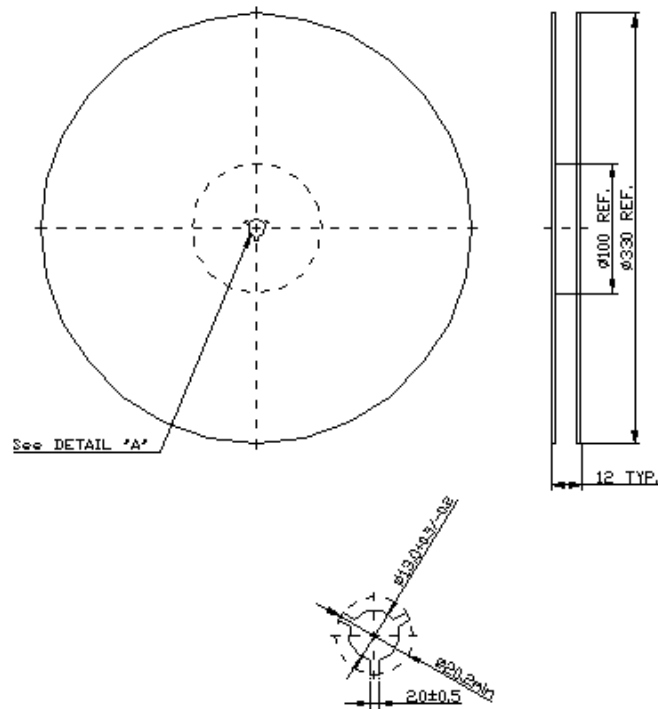


SAW Filter 460.0MHz
Part No: MP04056

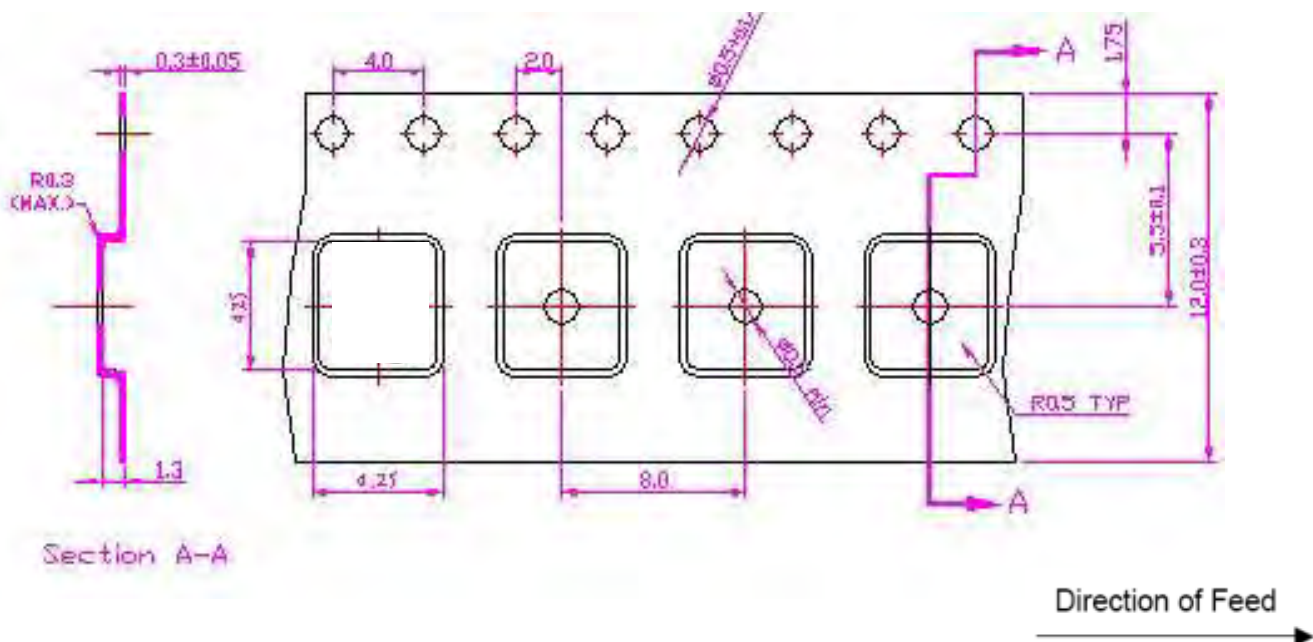
Model: TA1010A
Rev No: 1

G. PACKING:

1. Reel Dimension



2. Tape Dimension



SAW Filter 460.0MHz
Part No: MP04056

Model: TA1010A
Rev No: 1

H. RECOMMENDED REFLOW PROFILE:

