

**SAW Resonator 310.0MHz**  
**Part No: MP04097**

**Model: TC0268A**  
**Rev No: 1**

**A. FEATURES:**

One - Port Resonator

**B. MAXIMUM RATING:**

1. Input Power Level: 0dBm
2. DC voltage: 12V
3. Operating Temperature: -40°C to +85°C
4. Storage Temperature: -40°C to +85°C

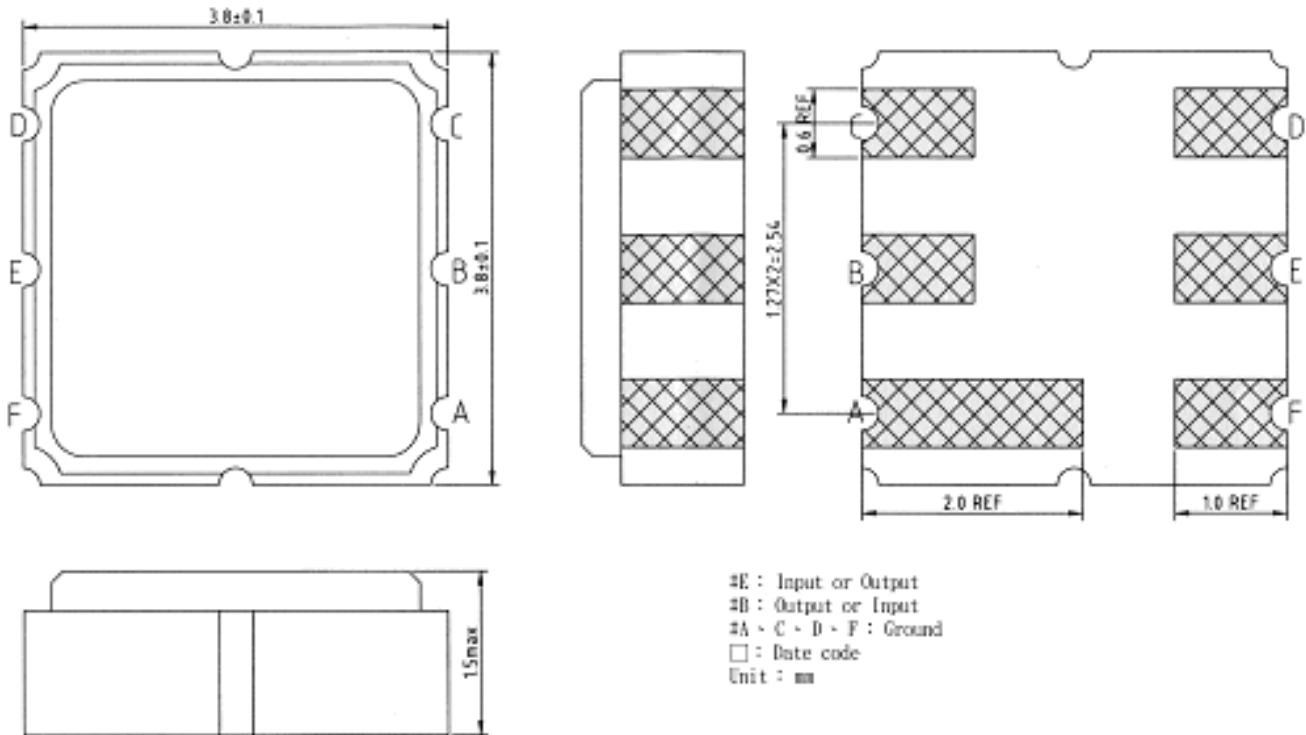
**C. ELECTRICAL CHARACTERISTICS:**

Characteristic	Units	Min.	Typ.	Max.
Center frequency Fr	MHz	309.925	310	310.075
Insertion Loss IL	dB	-	1.7	2.5
Equivalent Elements				
Motional capacitance C1	fF	-	2.9	-
Motional inductance L1	μH	-	90.84	-
Motional resistance R1	Ohm	-	18.03	-
Parallel capacitance Co	pF	-	4.85	-
Temp. coeff.	ppm/c*2	-	0.032	-
Turnover To	deg. C	10	25	40
Package size		SMD 3.8 X 3.8 X 1.2mm		

**SAW Resonator 310.0MHz**  
**Part No: MP04097**

**Model: TC0268A**  
**Rev No: 1**

**D. OUTLINE DRAWING:**



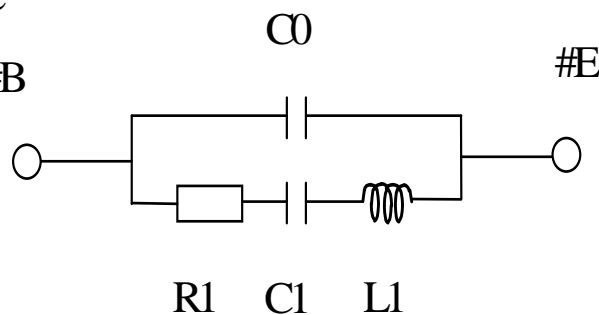
**E. EQUIVALENT CIRCUIT:**

One - Port Resonator

Source Impedance

$50 \Omega$

#B



Load Impedance

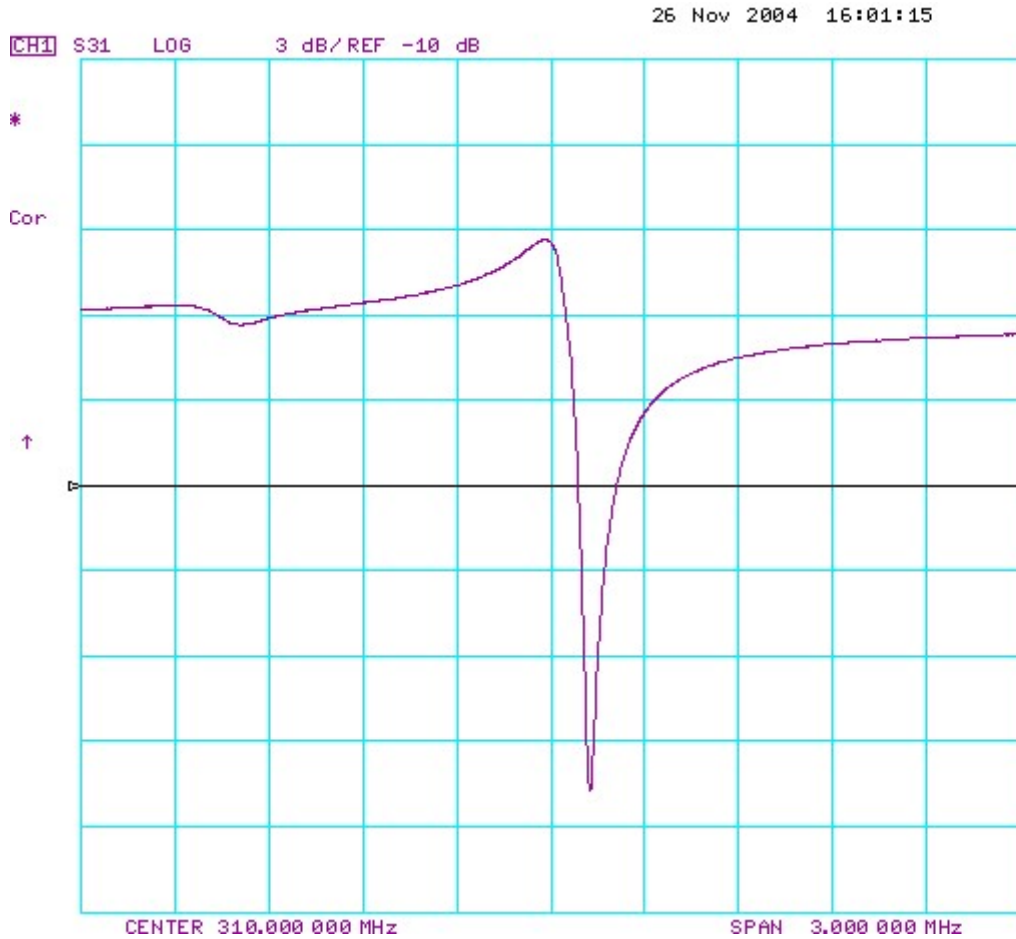
$50 \Omega$

#E

**SAW Resonator 310.0MHz**  
**Part No: MP04097**

**Model: TC0268A**  
**Rev No: 1**

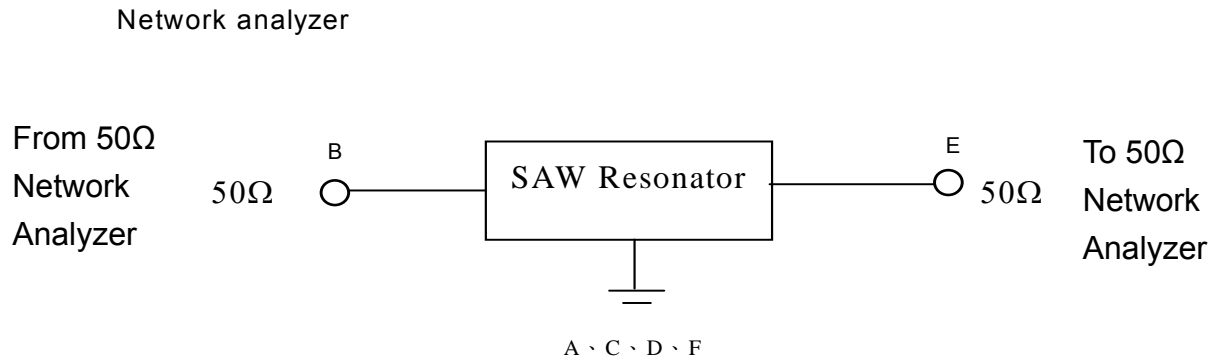
**F. FREQUENCY CHARACTERISTICS:**



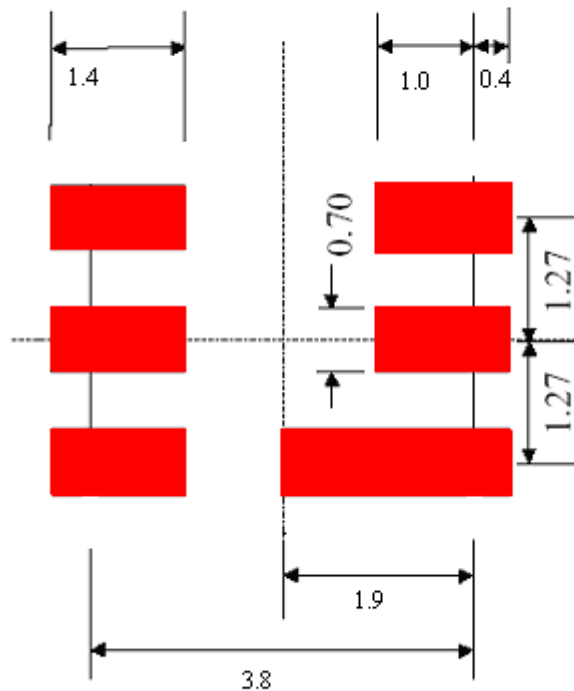
**SAW Resonator 310.0MHz**  
**Part No: MP04097**

**Model: TC0268A**  
**Rev No: 1**

**G. TEST CIRCUIT:**



**H. PCB FOOTPRINT:**

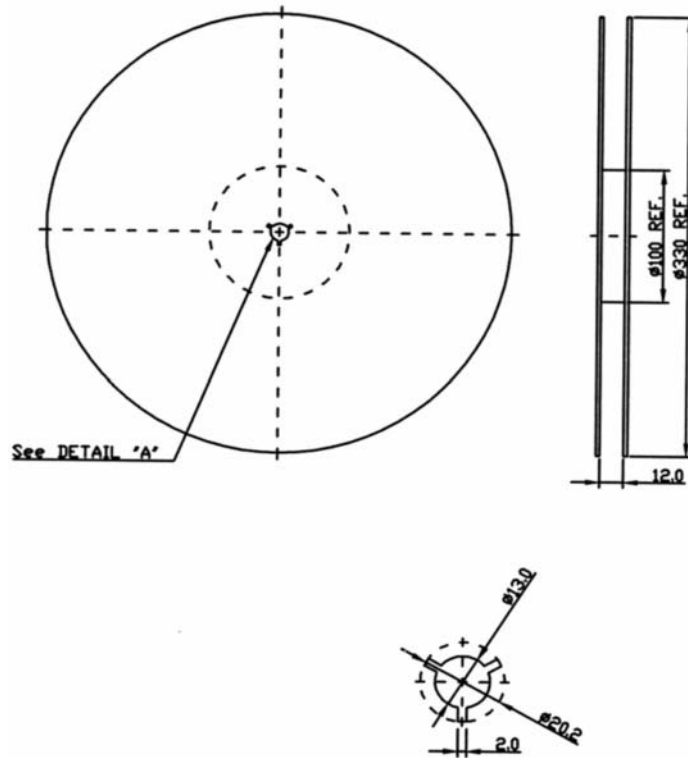


**SAW Resonator 310.0MHz**  
**Part No: MP04097**

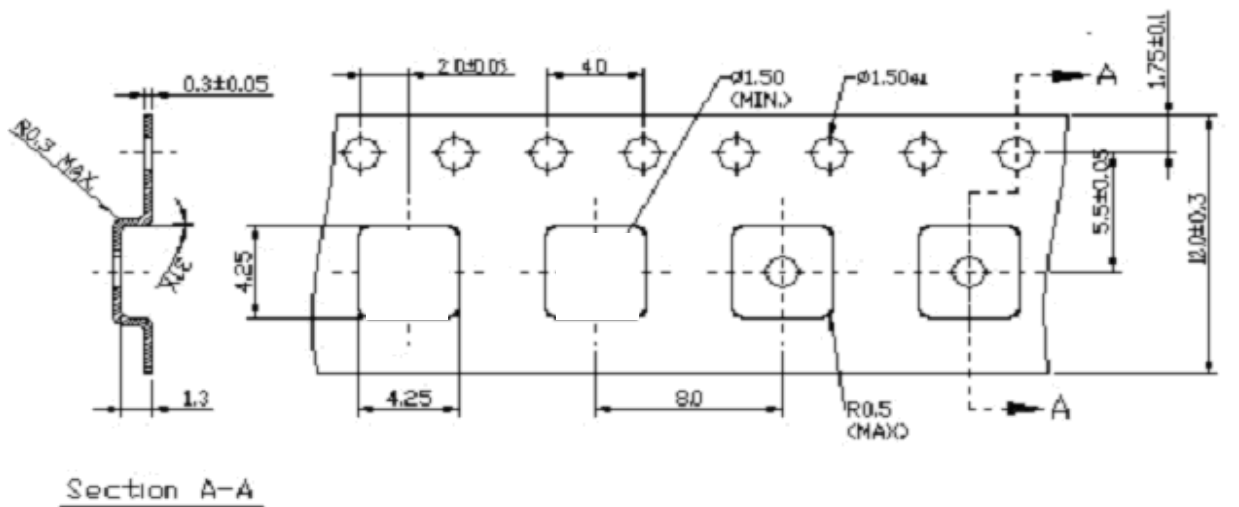
**Model: TC0268A**  
**Rev No: 1**

**I. PACKING:**

1. Reel Dimension



2. Tape Dimension



Direction of feed