

**SAW Filter 745.0MHz**  
**Part No: MP04132**

**Model: TB1029A**  
**Rev No: 1**

**A. MAXIMUM RATING:**

Electrostatic Sensitive Device

1. Operating temperature range: -30°C to 60°C
2. Storage temperature range: -40°C to 85°C
3. Input Power Level: 10dBm
4. Maximum DC Voltage: 10V

**B. CHARACTERISTICS:**

Item	Unit	Min.	Typ.	Max.
Center frequency Fc	MHz	-	745	-
Insertion Loss IL	dB	-	14	15.5
-1dB bandwidth	MHz	66	76	-
Passband Ripple Fc ± 33MHz	dB	-	0.6	1.0
Attenuation: (Reference level from Min IL)				
10MHz ~ 604MHz	dB	40	60	-
604MHz ~ 676MHz	dB	40	50	-
676MHz ~ 686MHz	dB	20	50	-
686MHz ~ 698MHz	dB	15	36	-
814MHz ~ 879MHz	dB	33	46	-
879MHz ~ 1089MHz	dB	40	46	-
Temperature Coefficient	ppm/°C	-	-94	-
Source Impedance	Ohm	-	50	-
Load Impedance	Ohm	-	50	-

**SAW Filter 745.0MHz**  
**Part No: MP04132**

**Model: TB1029A**  
**Rev No: 1**

**C. FREQUENCY CHARACTERISTICS:**

1. Narrow band Response: (span 400MHz)

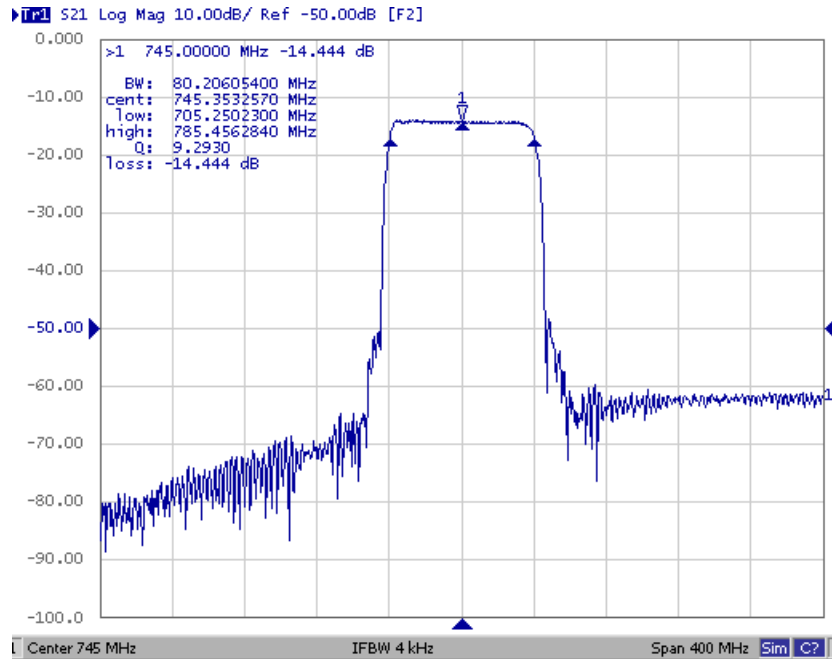


Fig. 1.: Horizontal: 40MHz / Div, Vertical: 10dB / Div

2. Pass band Response and Group Time Delay response:

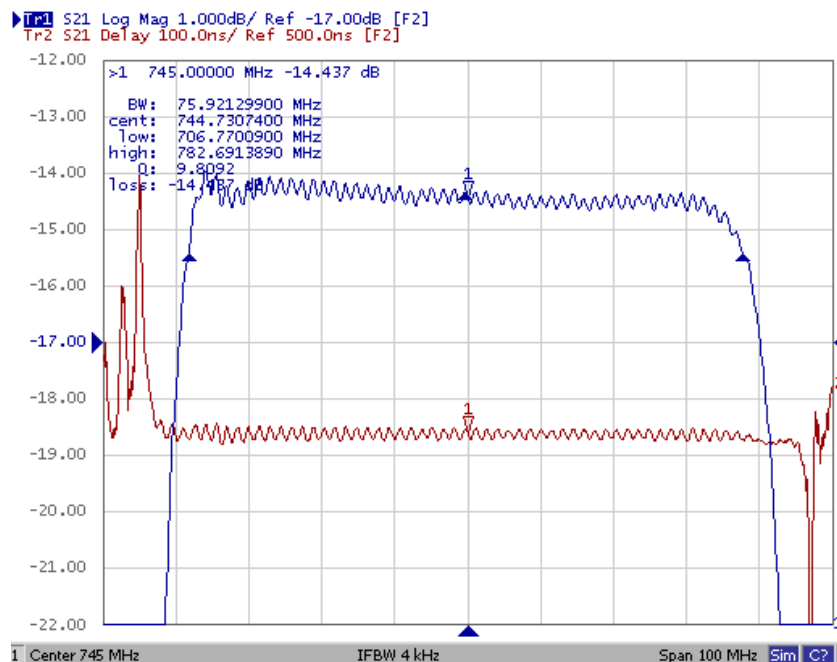


Fig. 2. Horizontal: 16MHz / Div, Vertical: 1dB / Div, Vertical: 100ns / Div

**SAW Filter 745.0MHz**  
**Part No: MP04132**

**Model: TB1029A**  
**Rev No: 1**

3. Wide band Response: (span 1000MHz)

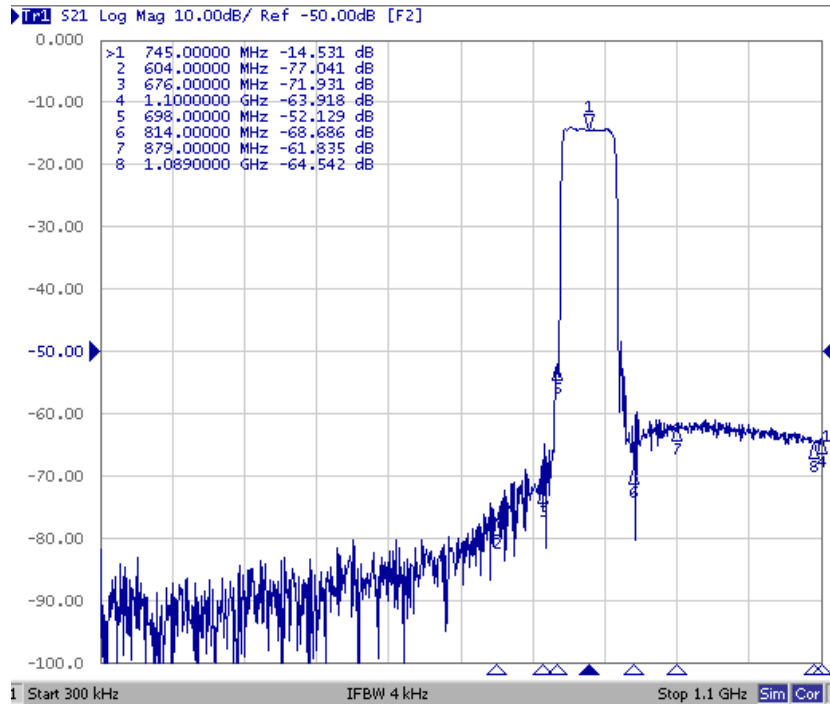
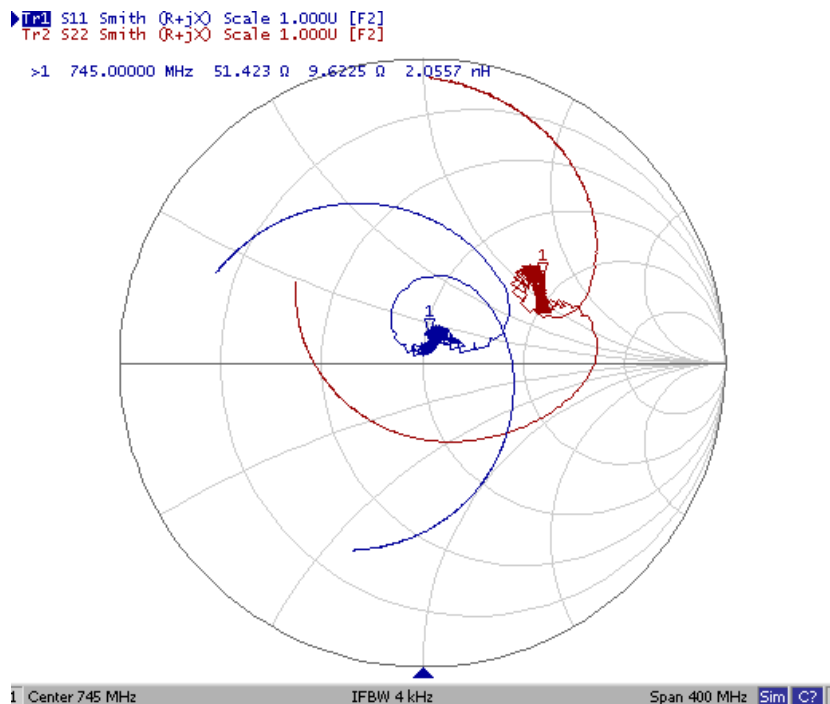


Fig. 3. Horizontal: 110MHz / Div, Vertical: 10dB / Div

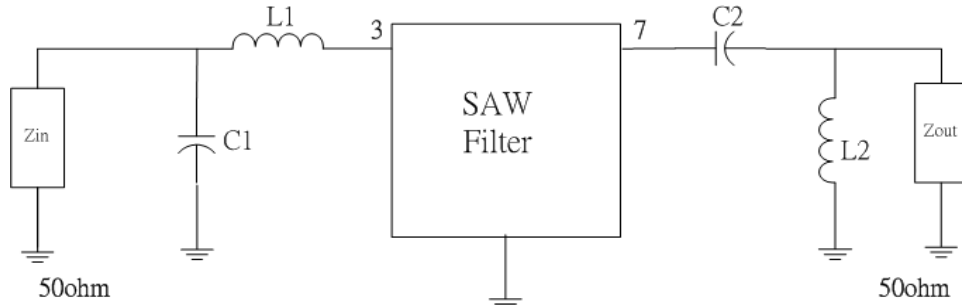
4. Smith Chart:



**SAW Filter 745.0MHz**  
**Part No: MP04132**

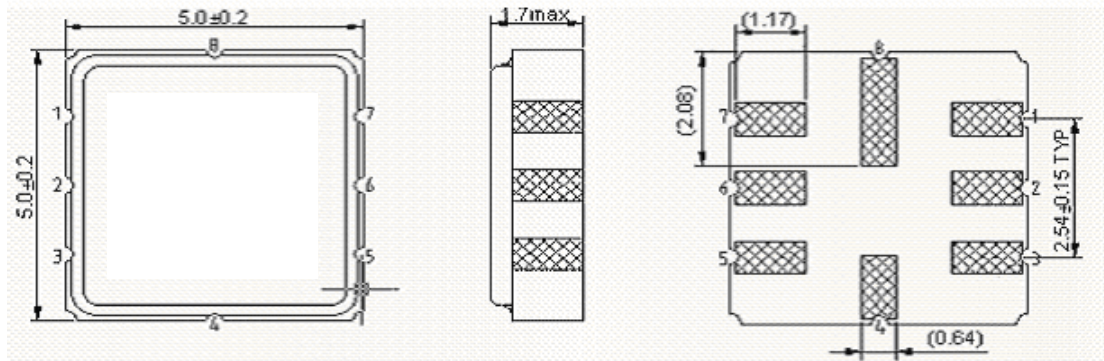
**Model: TB1029A**  
**Rev No: 1**

**D. MATCHING CIRCUIT:**



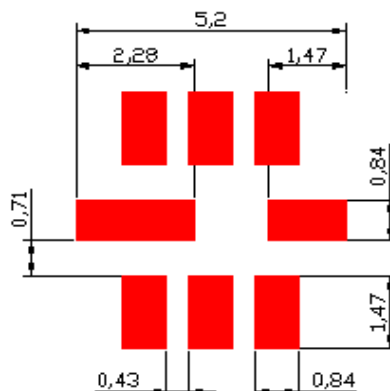
$L1 = 3\text{nH}$   $L2 = 5.6\text{nH}$   $C1 = 4.7\text{pF}$   $C2 = 5.6\text{pF}$

**E. OUTLINE DRAWING:**



- 3: Input
  - 2: Input ground
  - 7: Output
  - 6: Output ground
  - 1, 4, 5, 8: Ground
- Unit: mm

**F. PCB FOOTPRINT:**

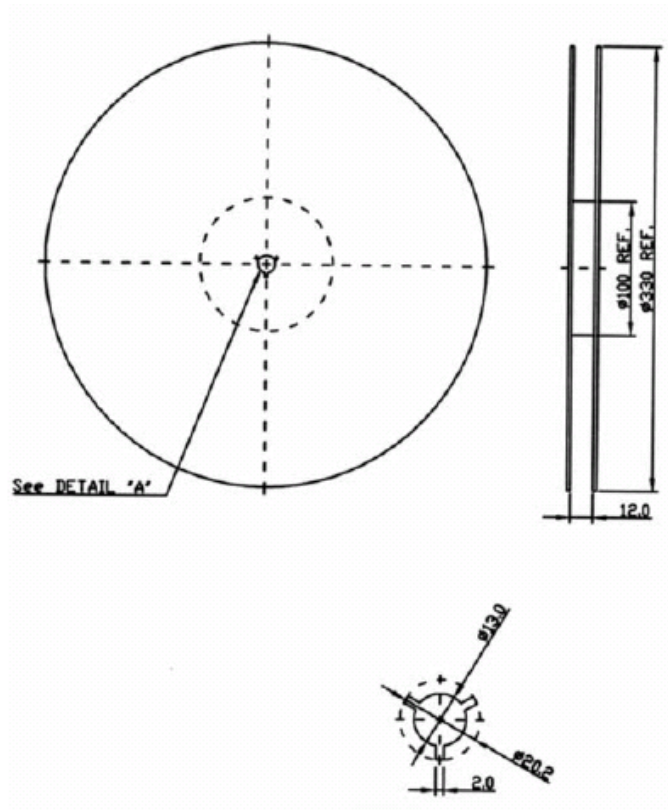


**SAW Filter 745.0MHz**  
**Part No: MP04132**

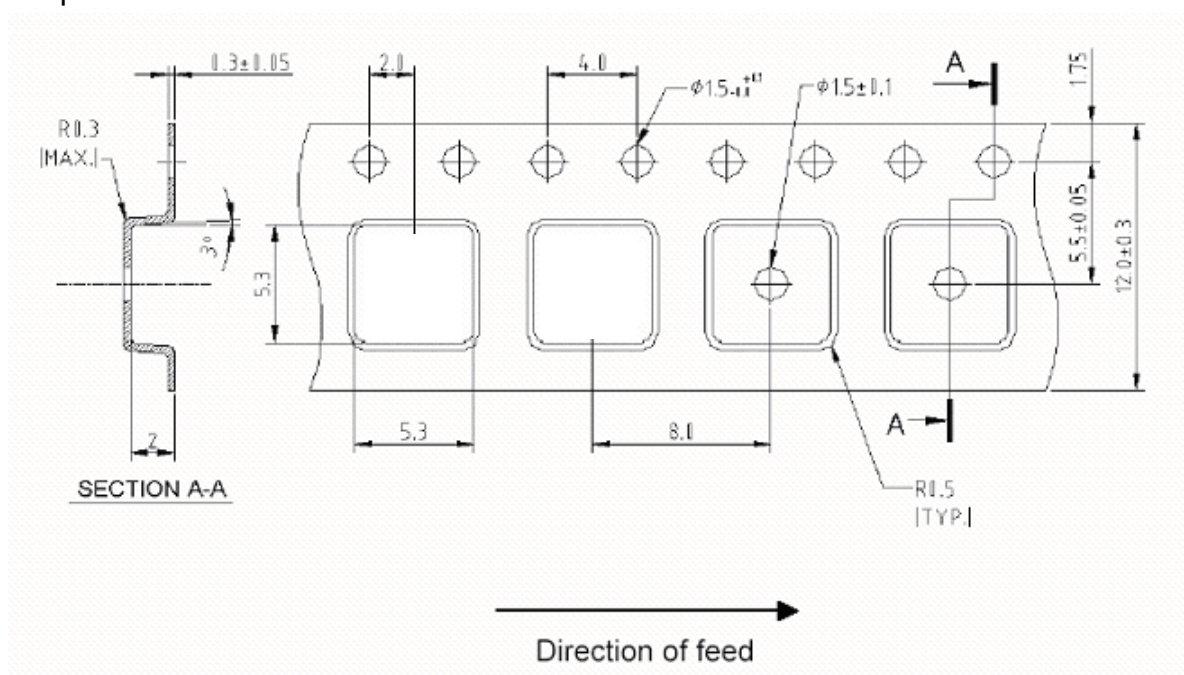
**Model: TB1029A**  
**Rev No: 1**

**G. PACKING:**

1. Reel dimension



2. Tape Dimension



**SAW Filter 745.0MHz**  
**Part No: MP04132**

**Model: TB1029A**  
**Rev No: 1**

**H. RECOMMENDED REFLOW PROFILE:**

