

**SAW Filter 626.0MHz**  
**Part No: MP04212**

**Model: TA0962A**  
**Rev No: 1**

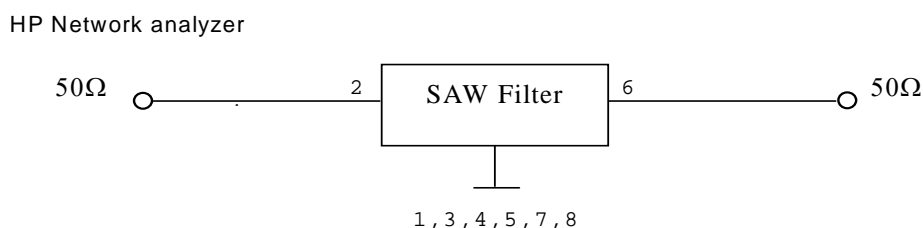
**A. MAXIMUM RATING:**

1. Input Power Level: 10dBm
2. DC Voltage: 3V
3. Operating Temperature: -20°C to +75°C
4. Storage Temperature: -40°C to +85°C

**B. ELECTRICAL CHARACTERISTICS:**

Item	Unit	Min.	Typ.	Max.	Note
Center Frequency Fc	MHz	-	626	-	-
Insertion loss (614 ~ 638MHz) IL	dB	-	2.3	4.5	-
Amplitude Ripple (614 ~ 638MHz)	dB	-	0.9	3	-
Group Delay Variation (614 ~ 638MHz)	ns	-	38	100	-
Attenuation (Reference level from 0dB)					
0 ~ 543MHz	dB	35	57	-	-
545 ~ 565MHz	dB	40	57	-	-
668 ~ 690MHz	dB	30	40	-	-
690 ~ 1000MHz	dB	35	50	-	-
1000 ~ 1500MHz	dB	30	44	-	-
Temperature Coefficient of Frequency	ppm/°C	-	-35	-	-

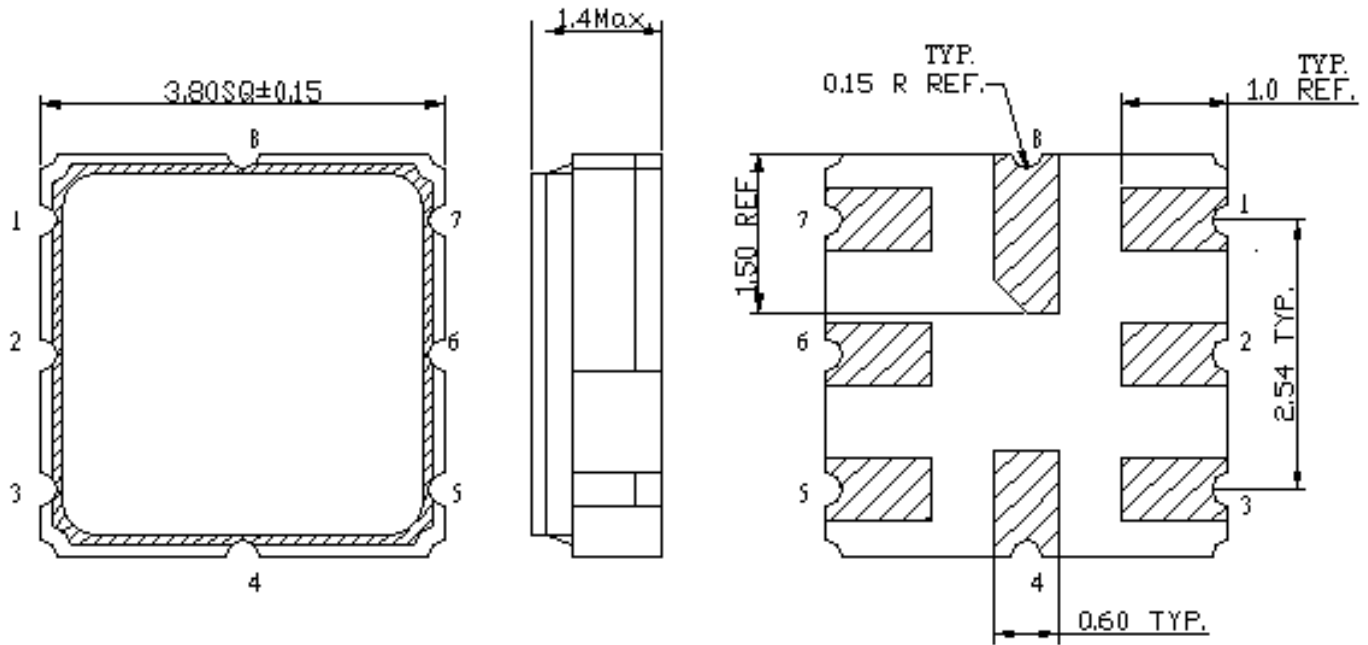
**C. MEASUREMENT CIRCUIT:**



**SAW Filter 626.0MHz**  
**Part No: MP04212**

**Model: TA0962A**  
**Rev No: 1**

**D. OUTLINE DRAWING:**



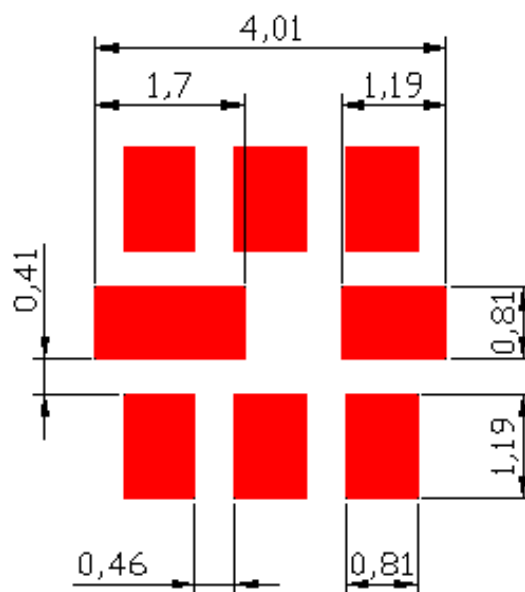
2: Input

6: Output

1, 3, 4, 5, 7, 8: Ground

Unit: mm

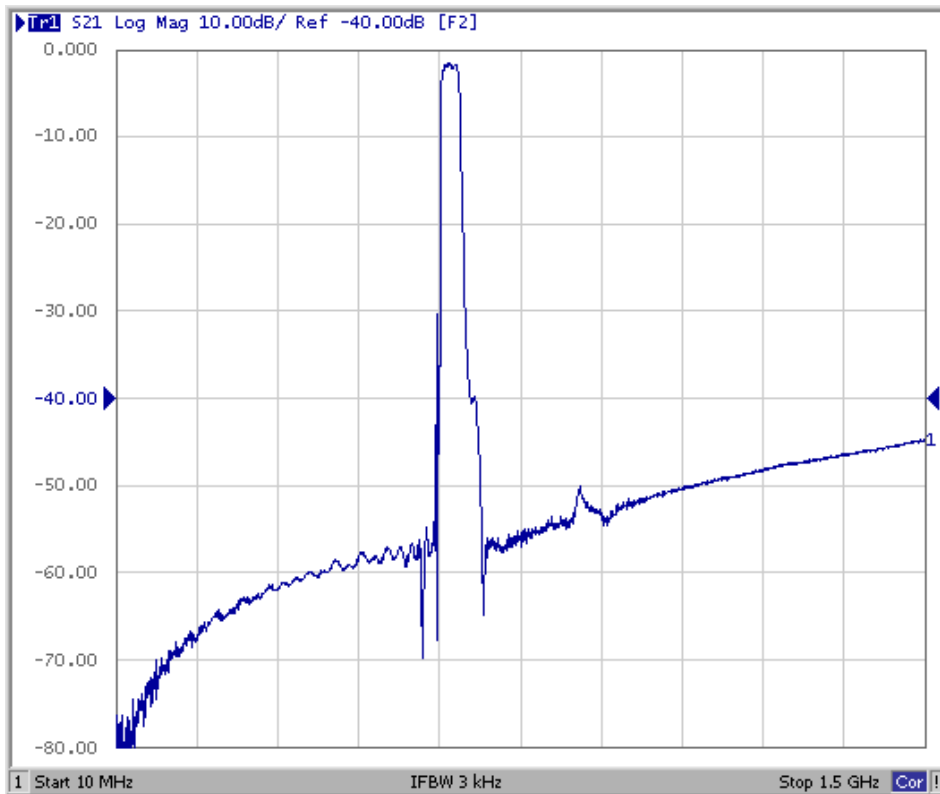
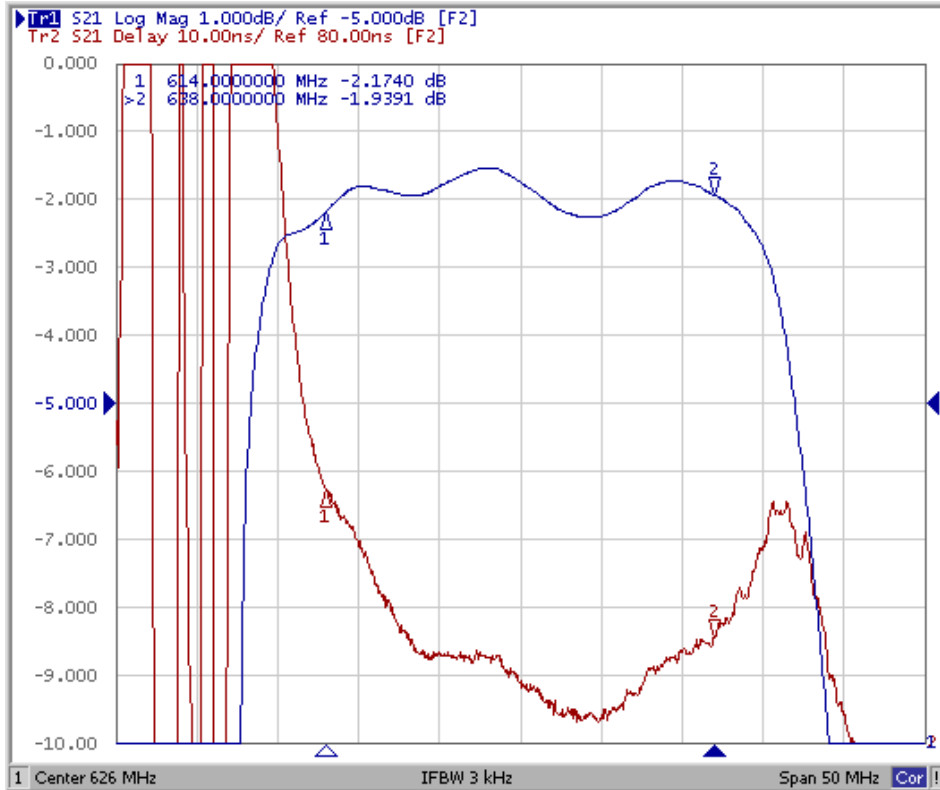
**E. PCB FOOTPRINT:**



**SAW Filter 626.0MHz**  
**Part No: MP04212**

**Model: TA0962A**  
**Rev No: 1**

**F. FREQUENCY CHARACTERISTICS:**



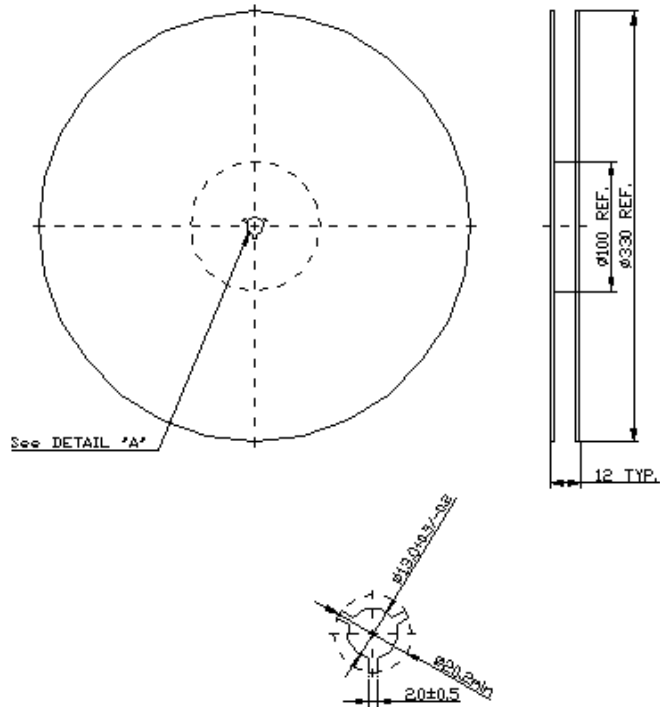
**SAW Filter 626.0MHz**  
**Part No: MP04212**

**Model: TA0962A**  
**Rev No: 1**

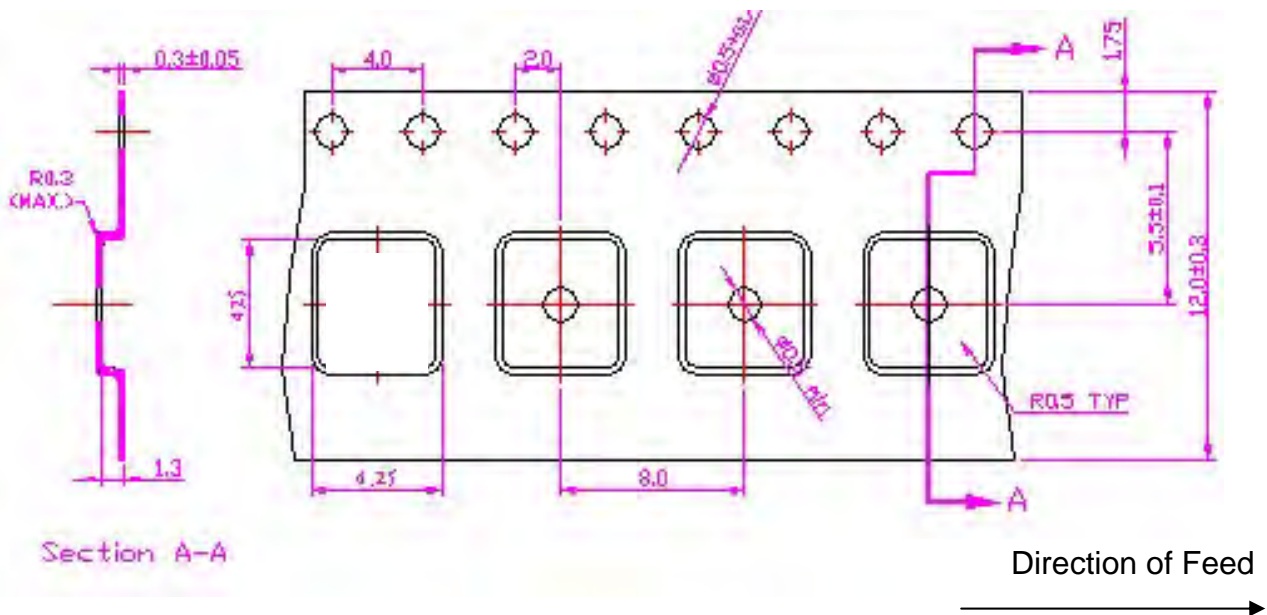
**G. PACKING:**

1. Reel Dimension

(Reel Count: 7" = 1000; 13" = 3000)



2. Tape Dimension



**SAW Filter 626.0MHz**  
**Part No: MP04212**

**Model: TA0962A**  
**Rev No: 1**

**H. RECOMMENDED REFLOW PROFILE:**

