

**SAW Filter 499.0MHz**

**Model: TA1352A**

**Part No: MP04276**

**Rev No: 1**

**A. MAXIMUM RATING:**

Electrostatic Sensitive Device (ESD)

1. Input Power Level: 10dBm
2. DC voltage: 5V
3. Operating Temperature: -30°C to 60°C
4. Storage Temperature: -40°C to +85°C

**B. CHARACTERISTICS:**

Item	Unit	Min.	Typ.	Max.
Center frequency Fc	MHz	-	499	-
Amplitude ripple (487 ~ 511MHz)	dB	-	1.1	1.7
Insertion loss IL (487 ~ 511MHz)	dB	-	2.2	3.0
Group Delay GD (487 ~ 511MHz)	ns	-	52	200
Bandwidth @ -3dB		24	33.4	-
Attenuation (reference from 0dB)				
0.3 ~ 450MHz	dB	34	39	-
450 ~ 470MHz	dB	10	18	-
530 ~ 560MHz	dB	10	20	-
560 ~ 800MHz	dB	38	43	-
800 ~ 1000MHz	dB	32	37	-
Source impedance ZS	Ω	-	50	-
Load impedance ZL	Ω	-	50	-

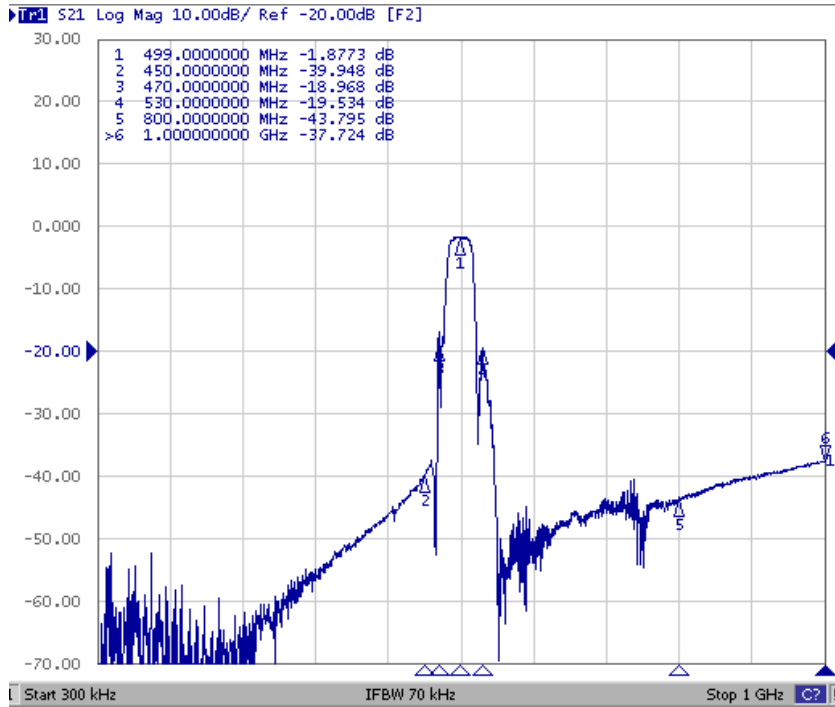
Note: No matching network required for operation at 50Ω

**SAW Filter 499.0MHz**  
**Part No: MP04276**

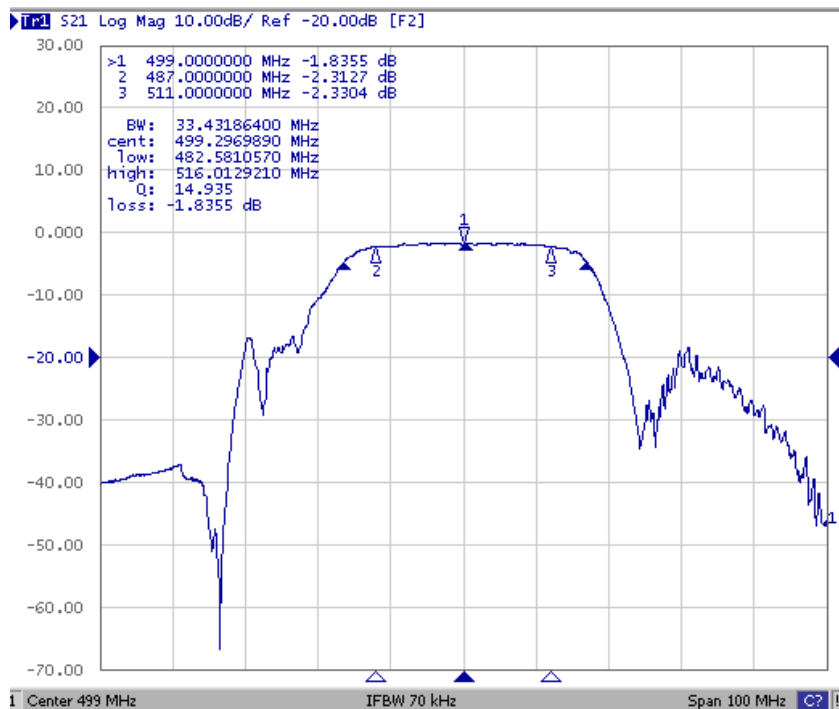
**Model: TA1352A**  
**Rev No: 1**

**C. TRANSFER FUNCTION:**

1. Wideband



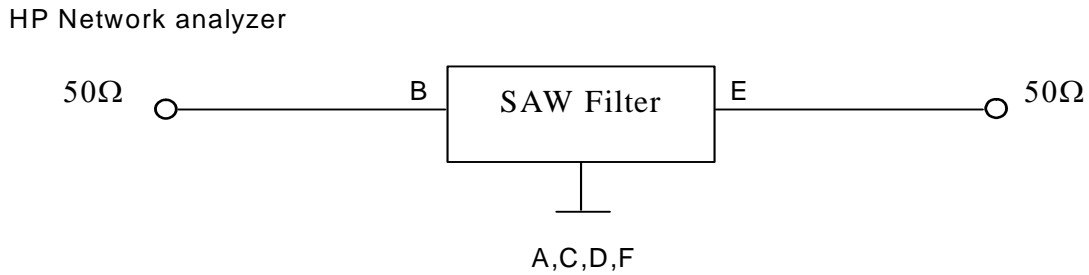
2. Passband



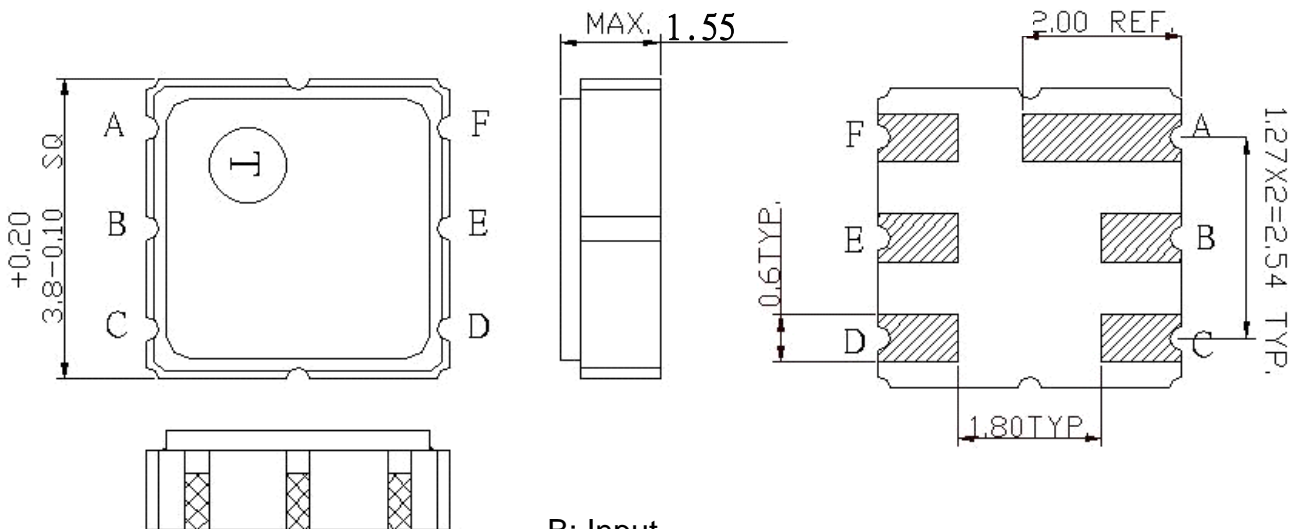
**SAW Filter 499.0MHz**  
**Part No: MP04276**

**Model: TA1352A**  
**Rev No: 1**

**D. MEASUREMENT CIRCUIT:**



**E. OUTLINE DRAWING:**



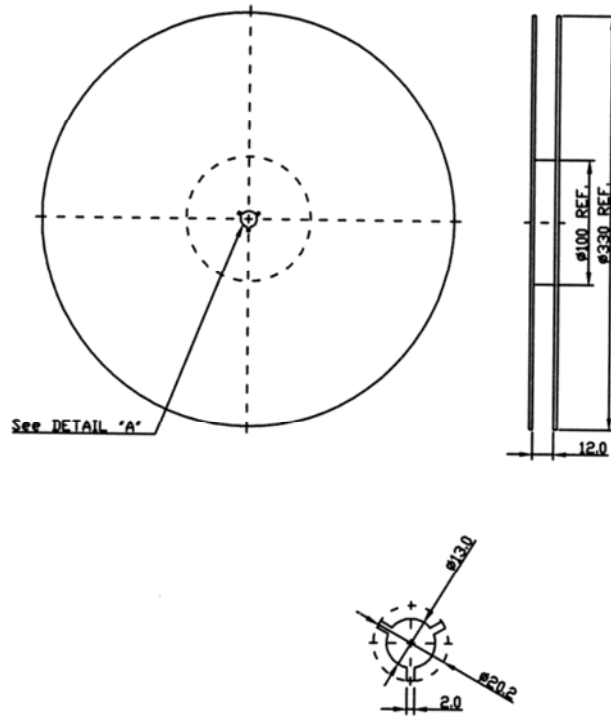
B: Input  
 E: Output  
 A, C, D, F: Ground  
 Unit: mm

**SAW Filter 499.0MHz**  
**Part No: MP04276**

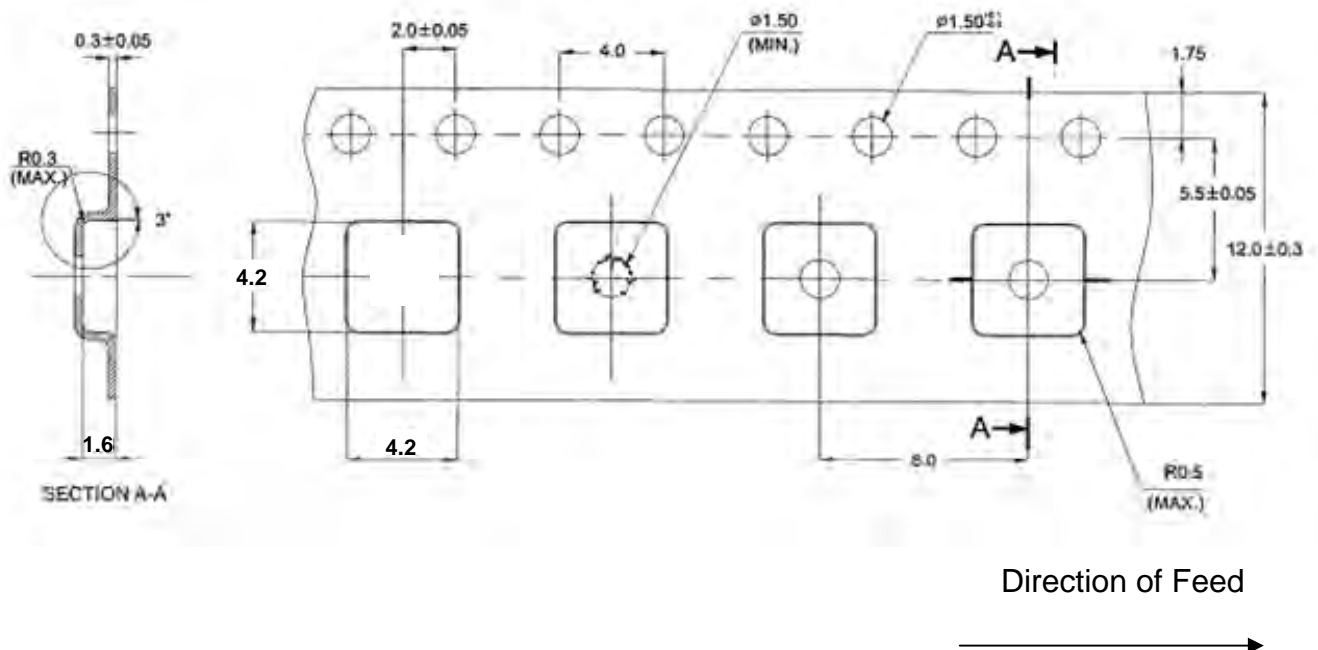
**Model: TA1352A**  
**Rev No: 1**

**F. PACKING:**

1. Reel Dimension



2. Tape Dimension



**SAW Filter 499.0MHz**  
**Part No: MP04276**

**Model: TA1352A**  
**Rev No: 1**

**G. RECOMMENDED REFLOW PROFILE:**

