

SAW Filter: 806.0MHz
Part No: MP04297

Model: TA0984A
Rev No: 1

A. MAXIMUM RATING:

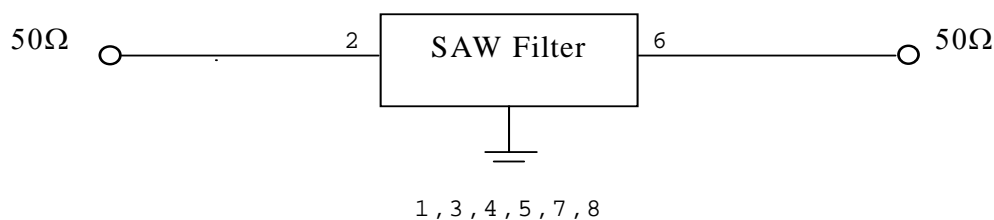
1. Input Power Level: 10dBm
2. DC Voltage: 3V
3. Operating Temperature: -20°C to +80°C
4. Storage Temperature: -40°C to +85°C

B. ELECTRICAL CHARACTERISTICS:

Item	Unit	Min.	Typ.	Max.
Center frequency Fc	MHz	-	806	-
Insertion Loss (803 ~ 809MHz) IL	dB	-	2.5	4
Amplitude Ripple (803 ~ 809MHz)	dB	-	0.2	1.3
VSWR (803 ~ 809MHz)	-		1.6	2.2
1.3dB Bandwidth	MHz	6	12	
Attenuation:(Reference level from 0dB)				
400 ~ 770MHz	dB	45	50	-
770 ~ 782MHz	dB	40	50	-
825 ~ 835MHz	dB	30	35	-
835 ~ 950MHz	dB	45	55	-
Source impedance Zs	Ω	-	50	-
Load impedance Z _L	Ω	-	50	-

C. MEASUREMENT CIRCUIT:

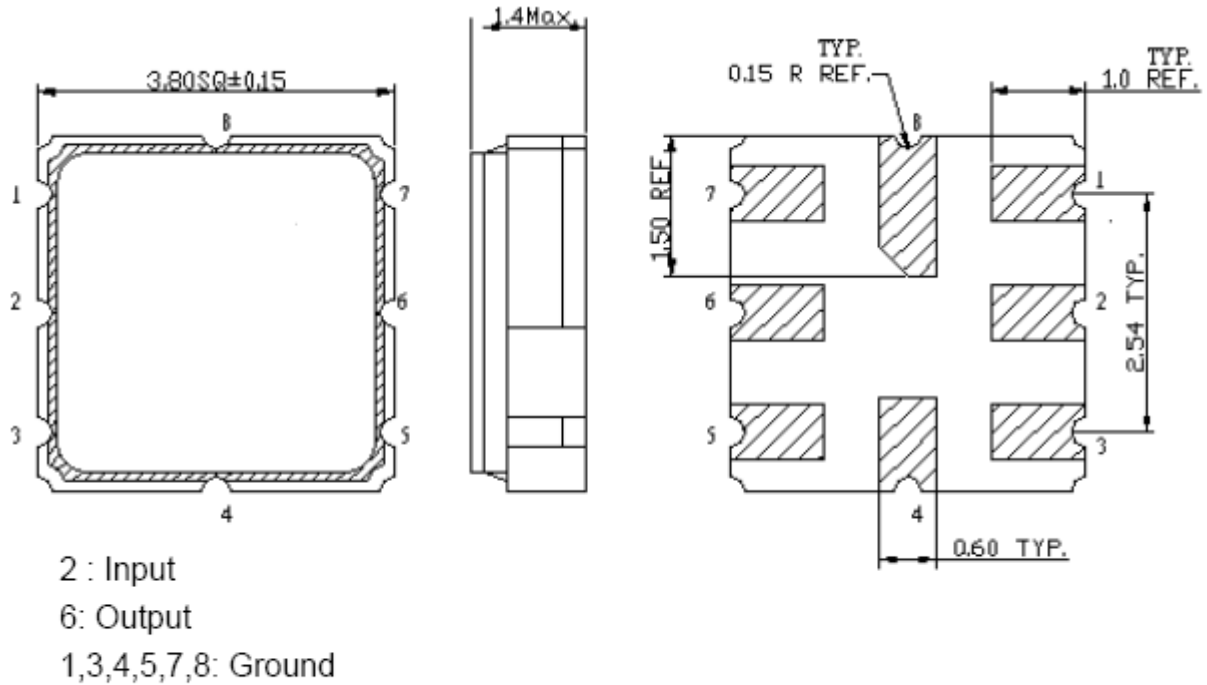
HP Network analyzer



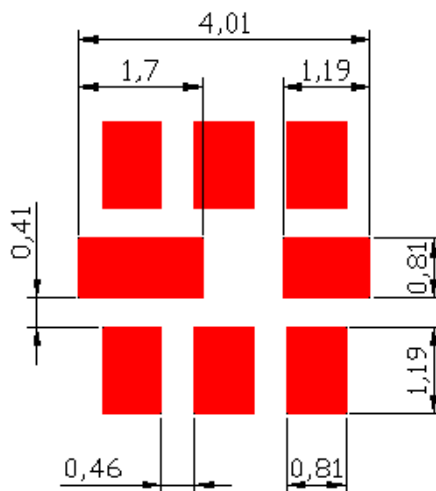
SAW Filter: 806.0MHz
Part No: MP04297

Model: TA0984A
Rev No: 1

D. OUTLINE DRAWING:



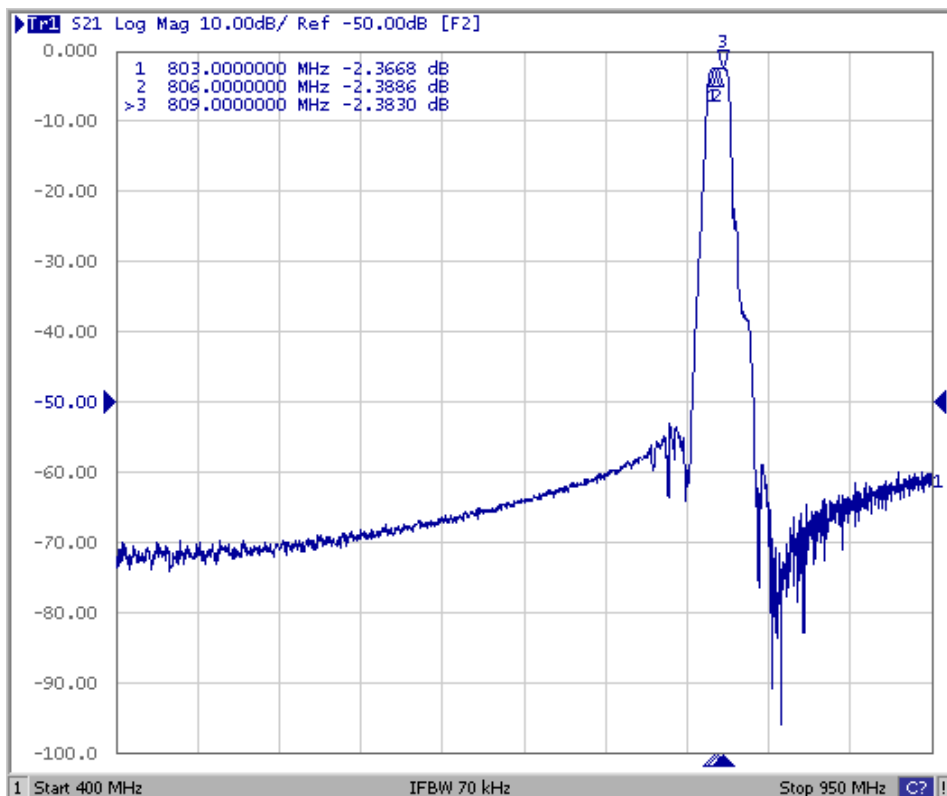
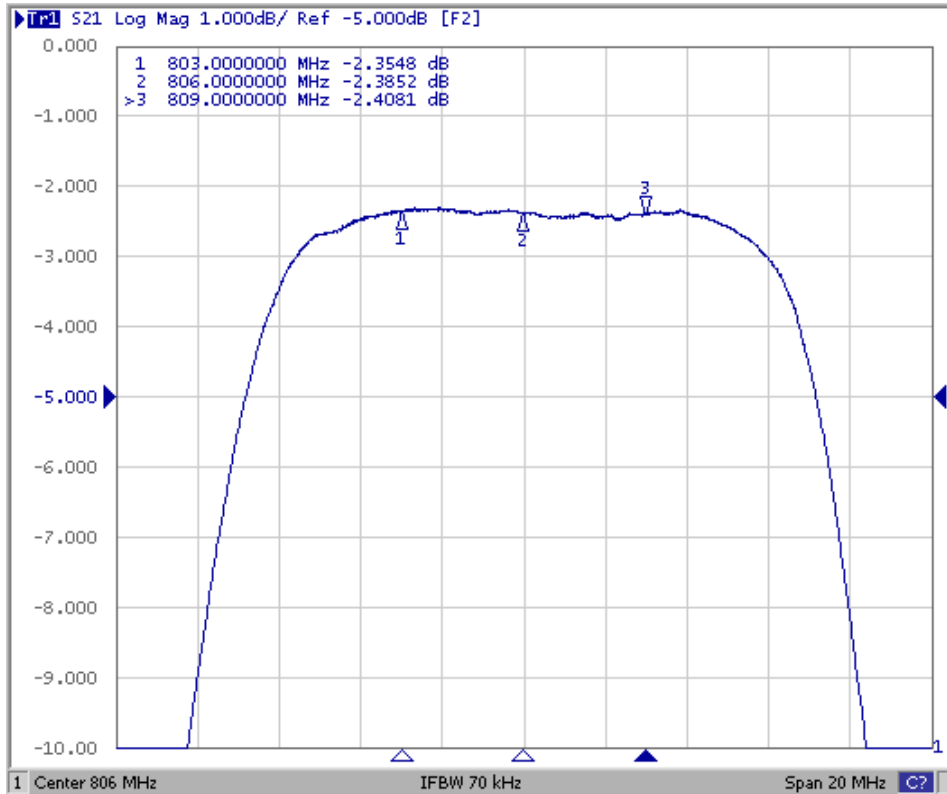
E. PCB FOOTPRINT:



SAW Filter: 806.0MHz
Part No: MP04297

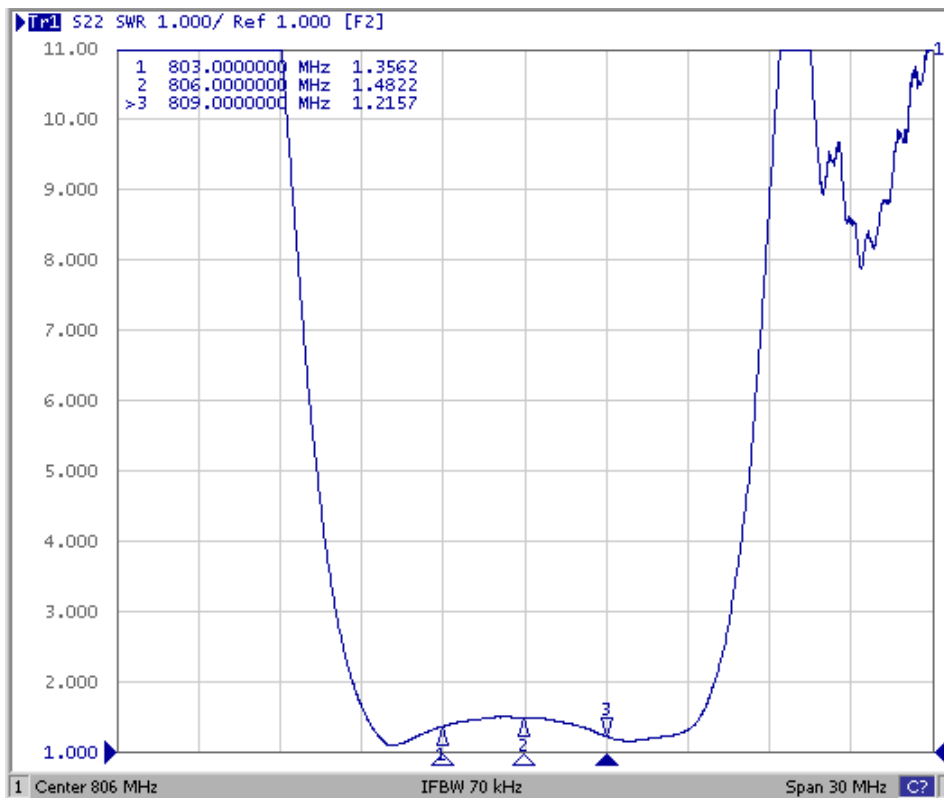
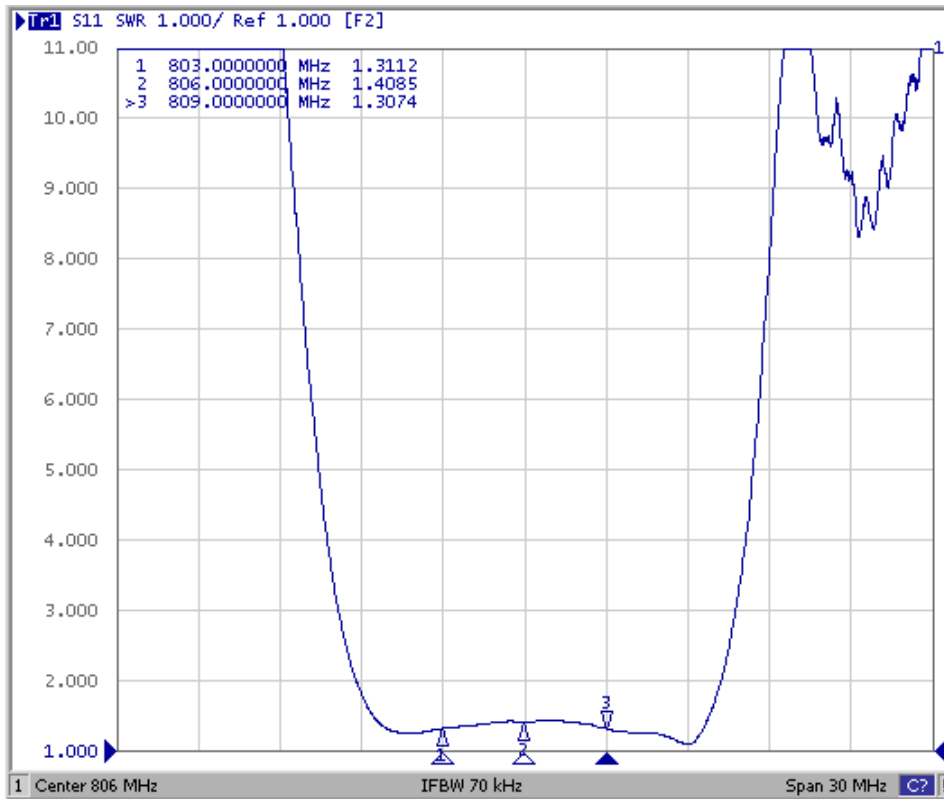
Model: TA0984A
Rev No: 1

F. FREQUENCY CHARACTERISTICS:



SAW Filter: 806.0MHz
Part No: MP04297

Model: TA0984A
Rev No: 1

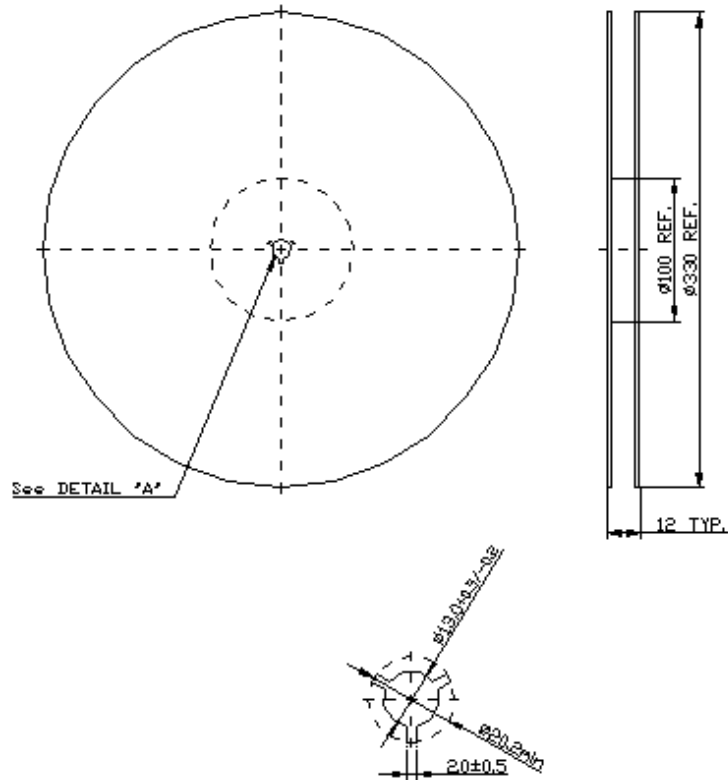


SAW Filter: 806.0MHz
Part No: MP04297

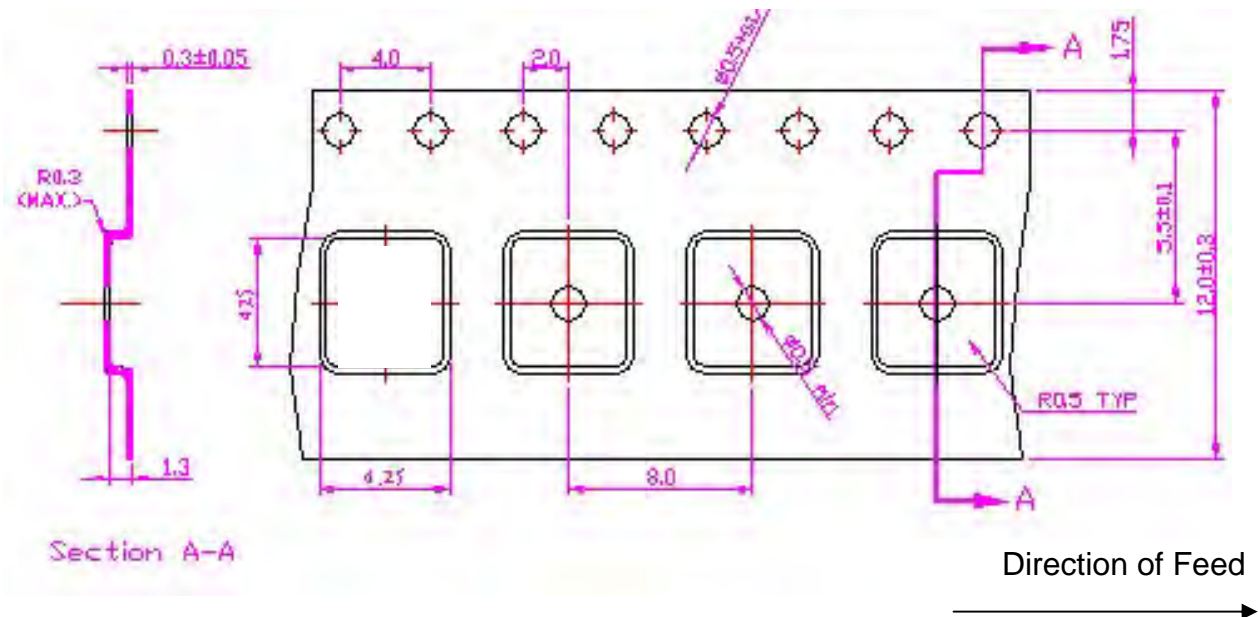
Model: TA0984A
Rev No: 1

G. PACKING:

1. Reel Dimension



2. Tape Dimension



SAW Filter: 806.0MHz
Part No: MP04297

Model: TA0984A
Rev No: 1

H. RECOMMENDED REFLOW PROFILE:

