

SAW Filter 942.50MHz
Part No: MP04336

Model: TA1324A
Rev No: 1

A. MAXIMUM RATING:

Electrostatic Sensitive Device (ESD)

1. Input Power Level: 10dBm
2. DC Voltage: 3V
3. Operating Temperature: -25°C to +75°C
4. Storage Temperature: -30°C to +85°C

B. ELECTRICAL CHARACTERISTICS:

1. Terminating source impedance: $Z_S = 50\Omega$
2. Terminating load impedance: $Z_L = 50\Omega$

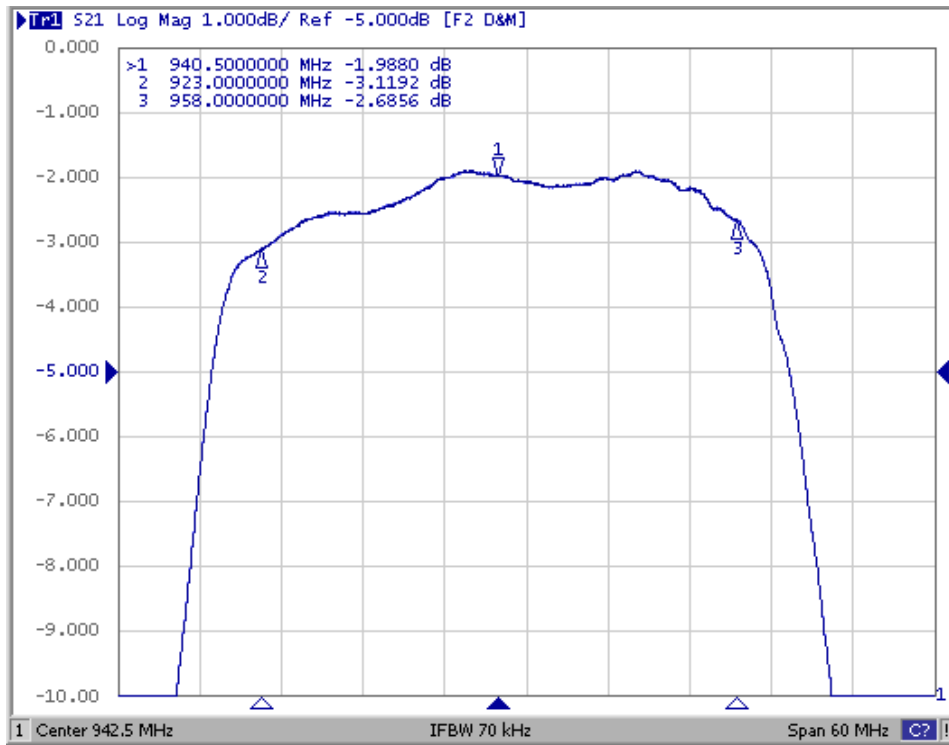
Item	Unit	Min.	Typ.	Max.	Note
Center Frequency Fc	MHz	-	942.5	-	-
Insertion Loss (925 ~ 960MHz) IL	dB	-	3.0	3.8	-
VSWR (925~960 MHz)	dB	-	1.6	2.0	-
Amplitude ripple(925~960 MHz)	dB	-	1.3	2.2	-
Attenuation					
D.C ~ 880 MHz	dB	38	42	-	-
880 ~ 905 MHz	dB	30	40	-	-
905 ~ 915 MHz	dB	28	38	-	-
980 ~ 3000 MHz	dB	25	31	-	-
3000 ~ 6000 MHz	dB	19	32	-	
Package size	mm	SMD 1.4x1.1			

SAW Filter 942.50MHz
Part No: MP04336

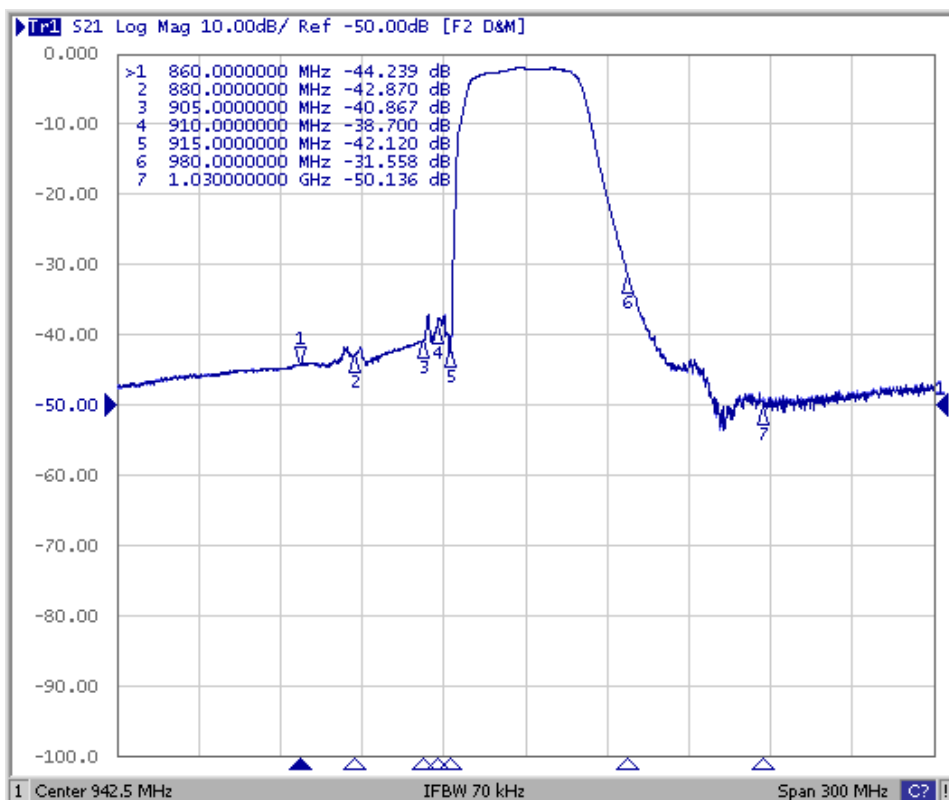
Model: TA1324A
Rev No: 1

C. FREQUENCY CHARACTERISTICS:

S21 Pass-band response: (span 60MHz)



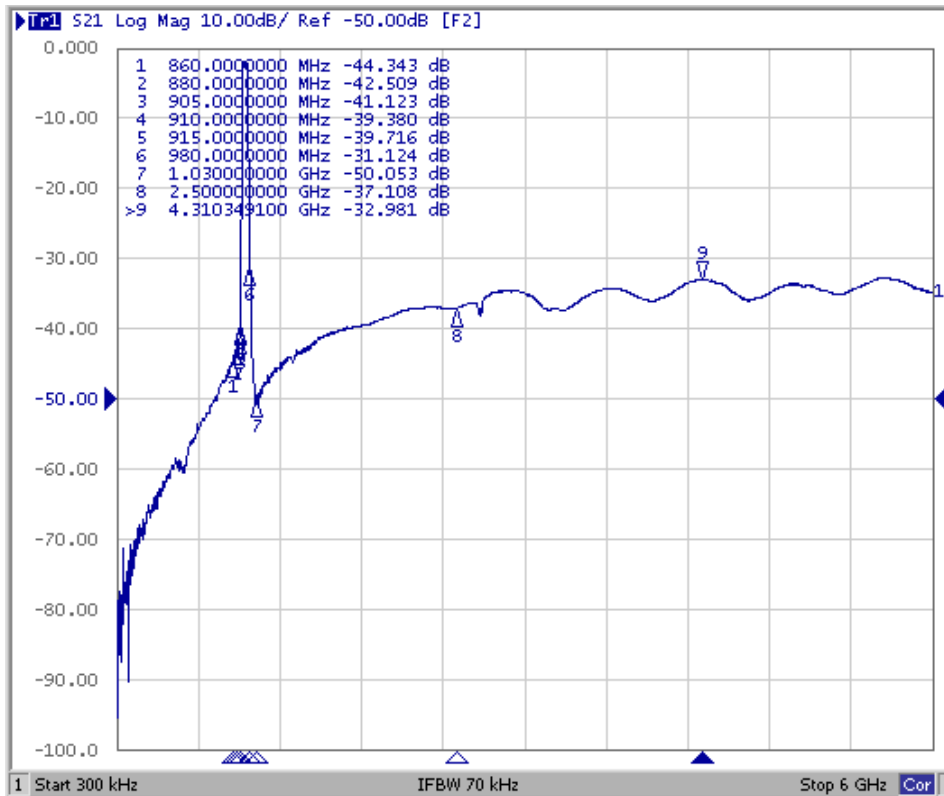
S21 response: (span 300MHz)



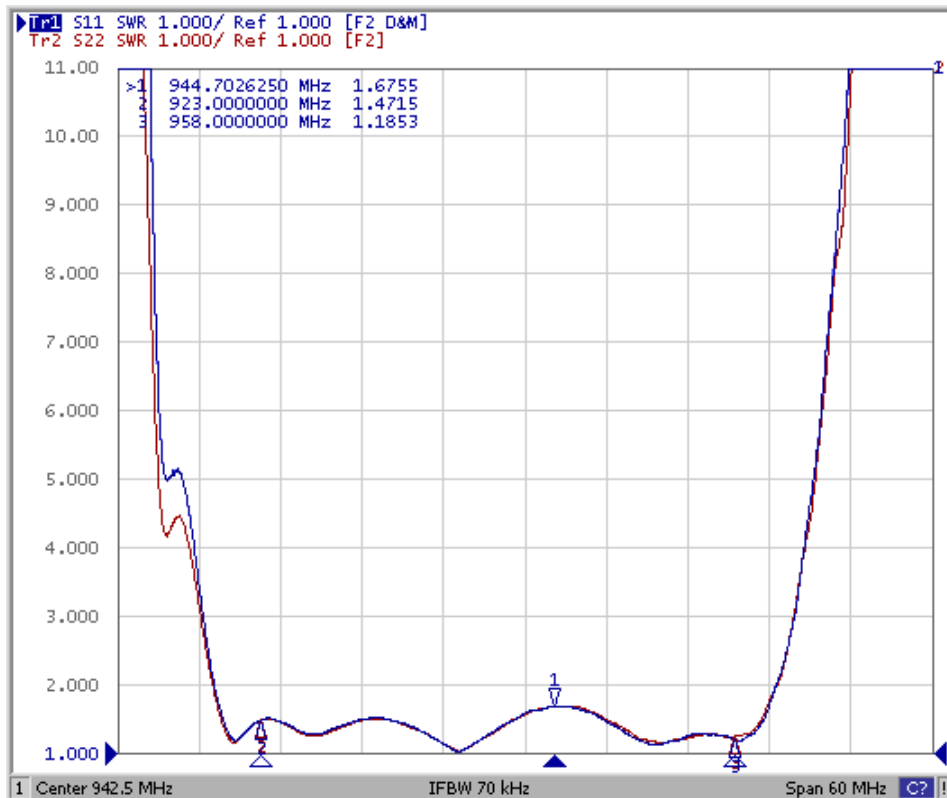
SAW Filter 942.50MHz
Part No: MP04336

Model: TA1324A
Rev No: 1

S21 response: (span 6GHz)



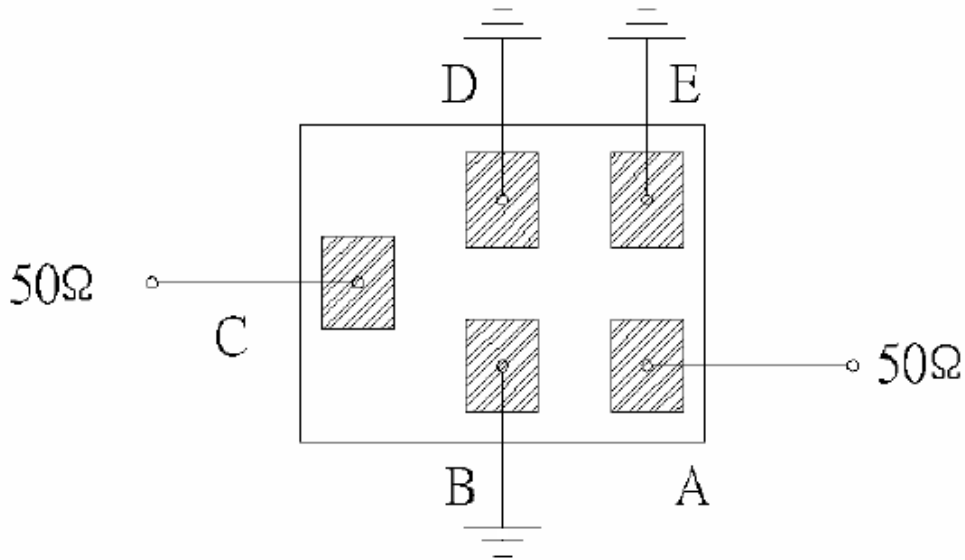
S11&S22 VSWR



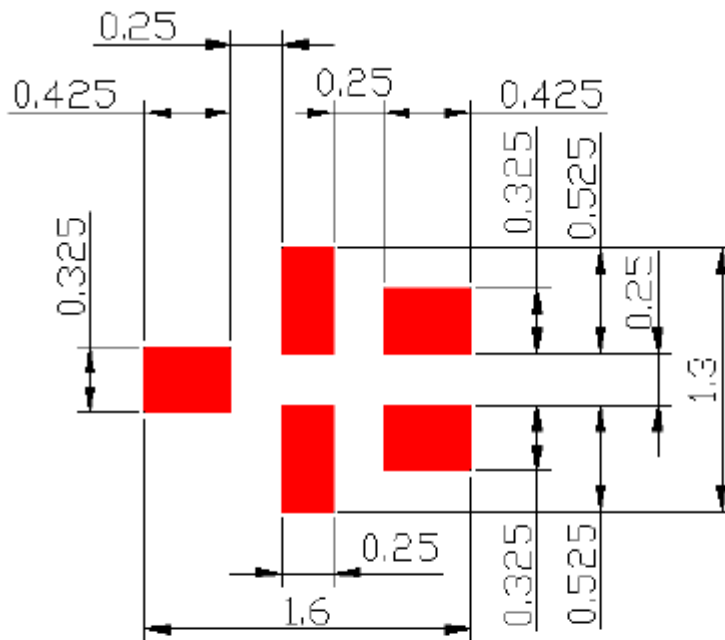
SAW Filter 942.50MHz
Part No: MP04336


Model: TA1324A
Rev No: 1

D. MEASUREMENT CIRCUIT:



E. PCB FOOTPRINT:

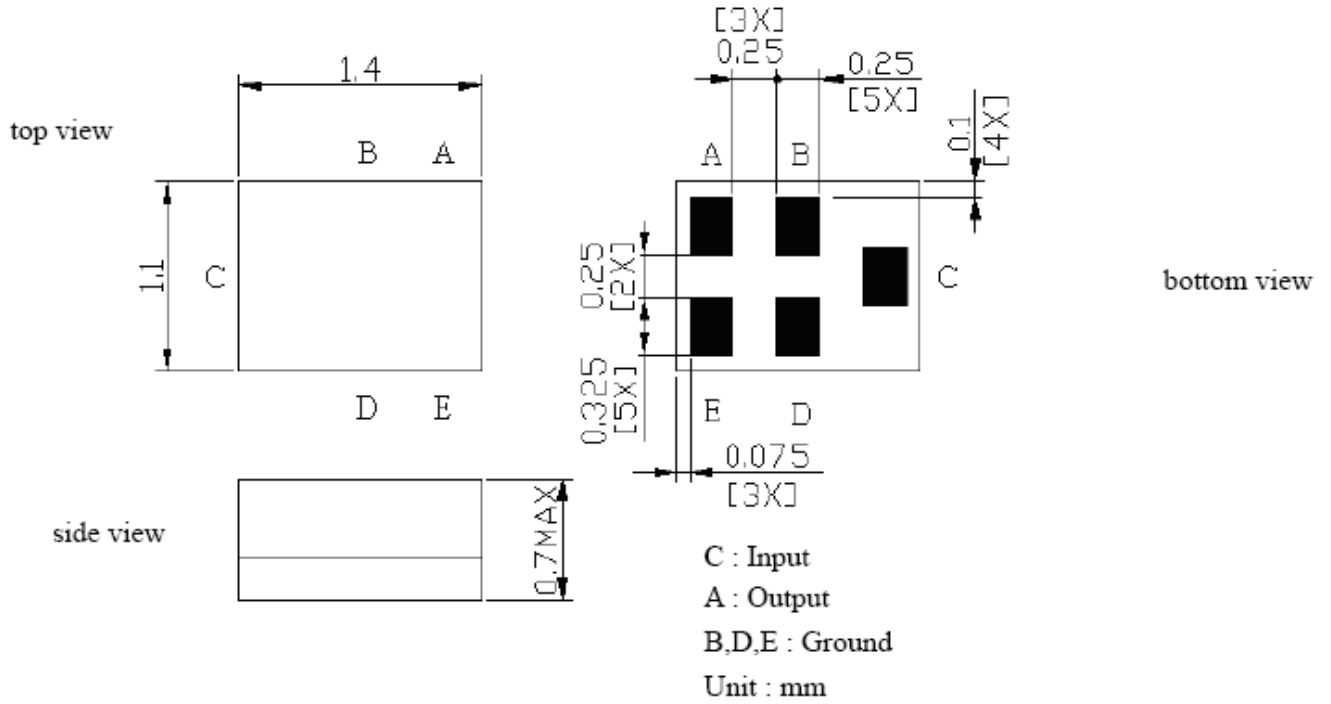


 : Land Pattern
Unit : mm

SAW Filter 942.50MHz
Part No: MP04336

Model: TA1324A
Rev No: 1

F. OUTLINE DRAWING:



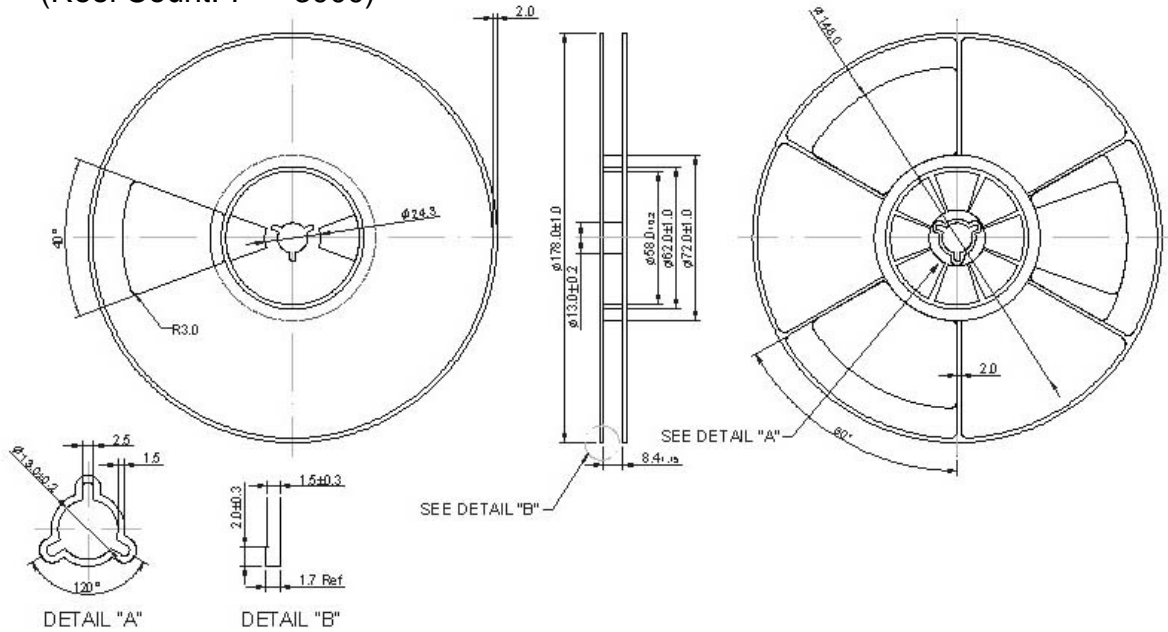
SAW Filter 942.50MHz
Part No: MP04336

Model: TA1324A
Rev No: 1

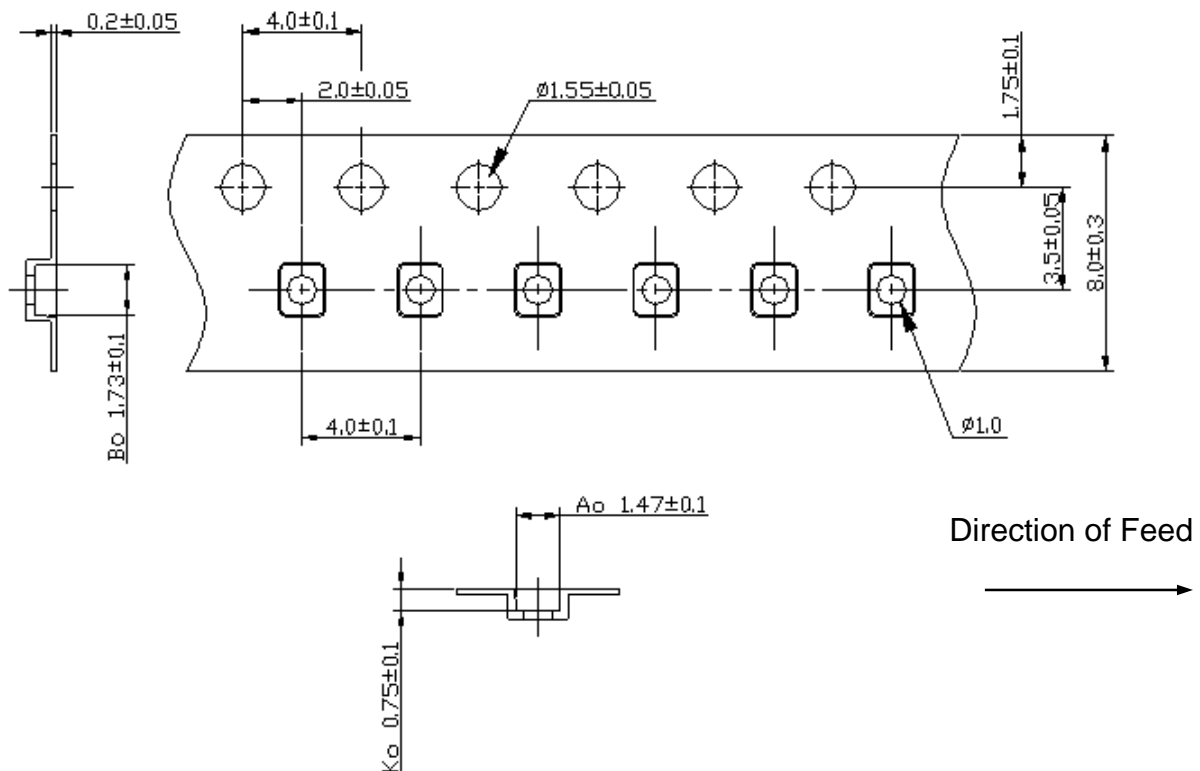
G. PACKING:

1. Reel Dimension

(Reel Count: 7" = 3000)



2. Tape Dimension



SAW Filter 942.50MHz
Part No: MP04336

Model: TA1324A
Rev No: 1

H. RECOMMENDED REFLOW PROFILE:

