

SAW Filter 2140.0MHz
Part No: MP04337

Model: TA1396A
Rev No: 1

A. MAXIMUM RATING:

Electrostatic Sensitive Device (ESD)

1. Input Power Level: 10dBm
2. DC Voltage: 0V
3. Operating Temperature: -20°C to +75°C
4. Storage Temperature: -30°C to +85°C

B. ELECTRICAL CHARACTERISTICS:

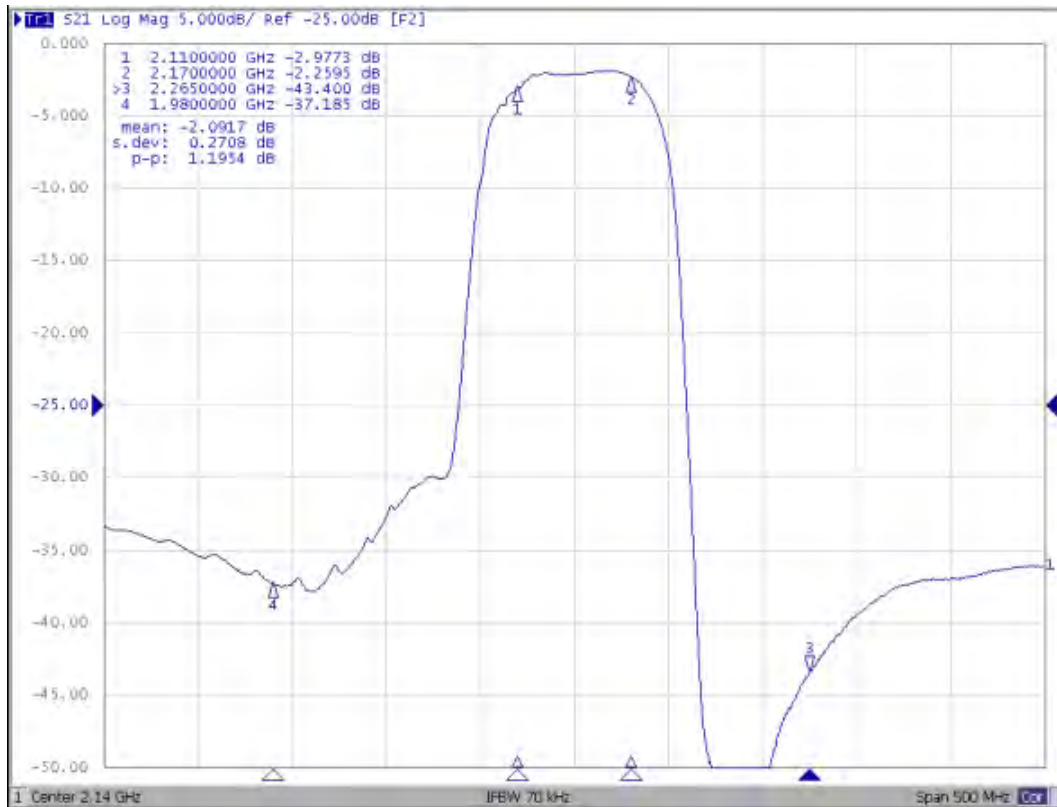
Item	Unit	Min.	Typ.	Max.	Note
Center Frequency Fc	MHz	-	2140	-	-
Insertion Loss within 2110 ~ 2170MHz IL	dB	-	2.9	4.2	-
Amplitude ripple(2110 ~ 2170MHz)	dB	-	1.2	2.2	-
VSWR (2110 ~ 2170MHz)	dB	-	2.1	2.6	-
Attenuation					
1920 ~ 1980MHz	dB	25	33	-	-
2205 ~ 2265MHz	dB	20	40	-	-
2300 ~ 2360MHz	dB	30	36	-	-
2490 ~ 2550MHz	dB	30	34	-	-
2870 ~ 2930MHz	dB	30	37	-	-
4220 ~ 4340MHz	dB	25	34	-	-
Package size	mm	SMD 1.4x1.1			

SAW Filter 2140.0MHz
Part No: MP04337

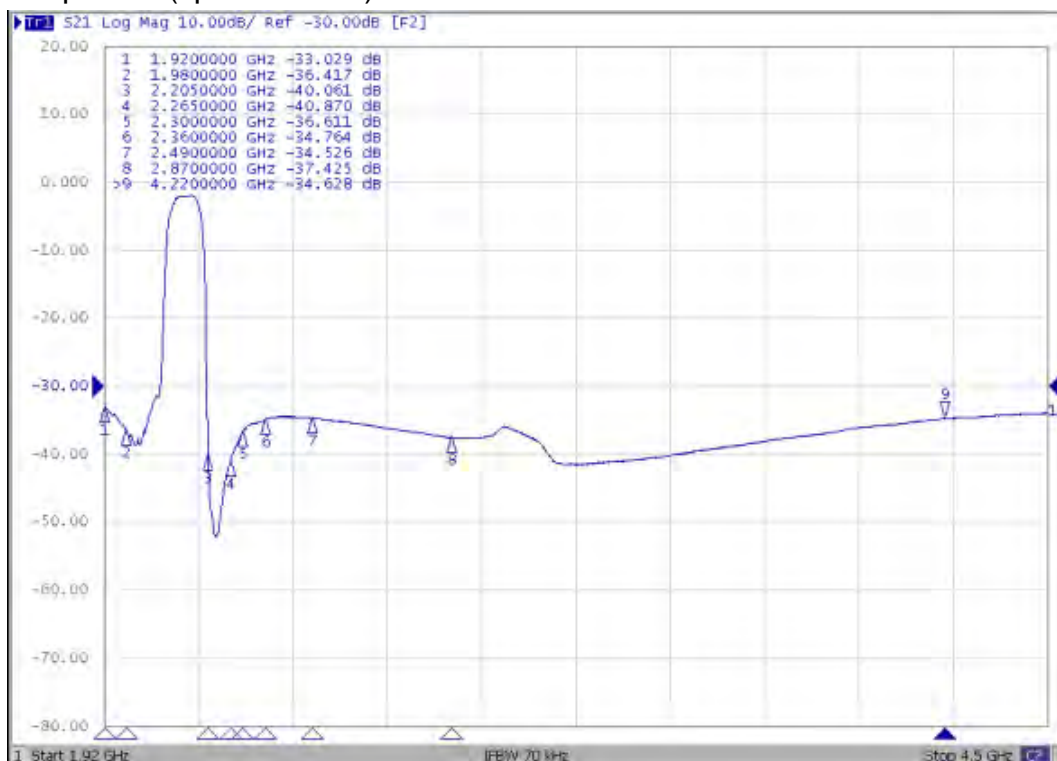
Model: TA1396A
Rev No: 1

C. FREQUENCY CHARACTERISTICS:

S21 response: (span 500MHz)



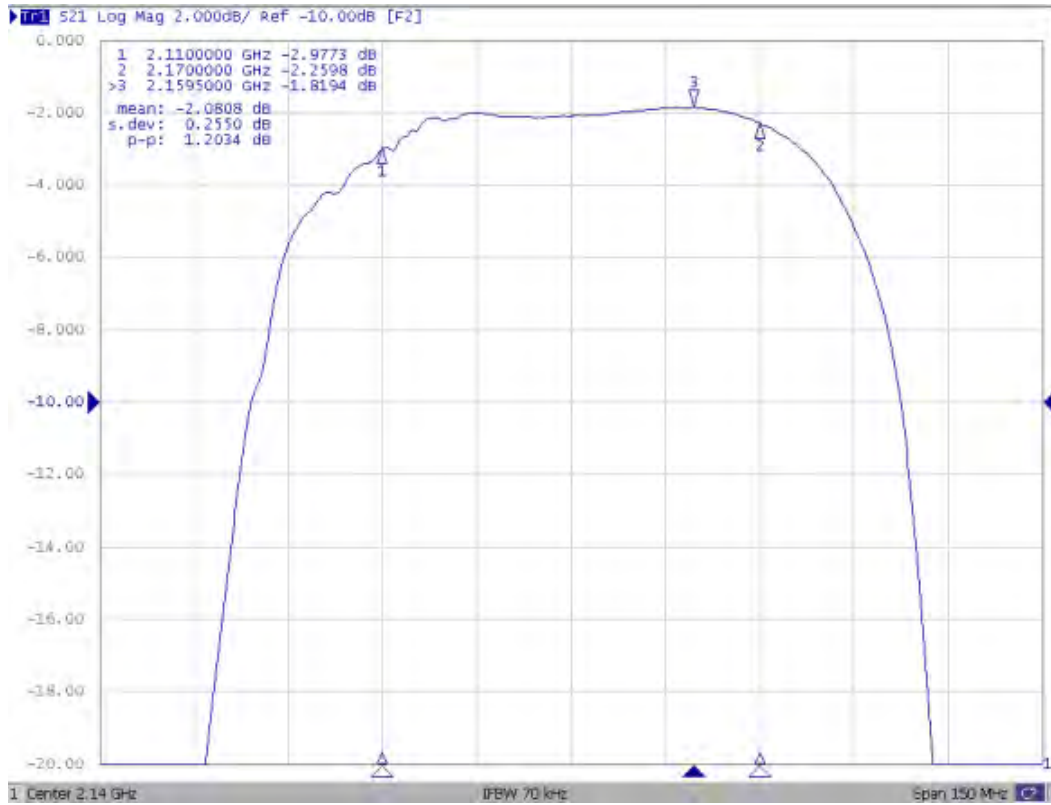
S21 response: (span 2.5GHz)



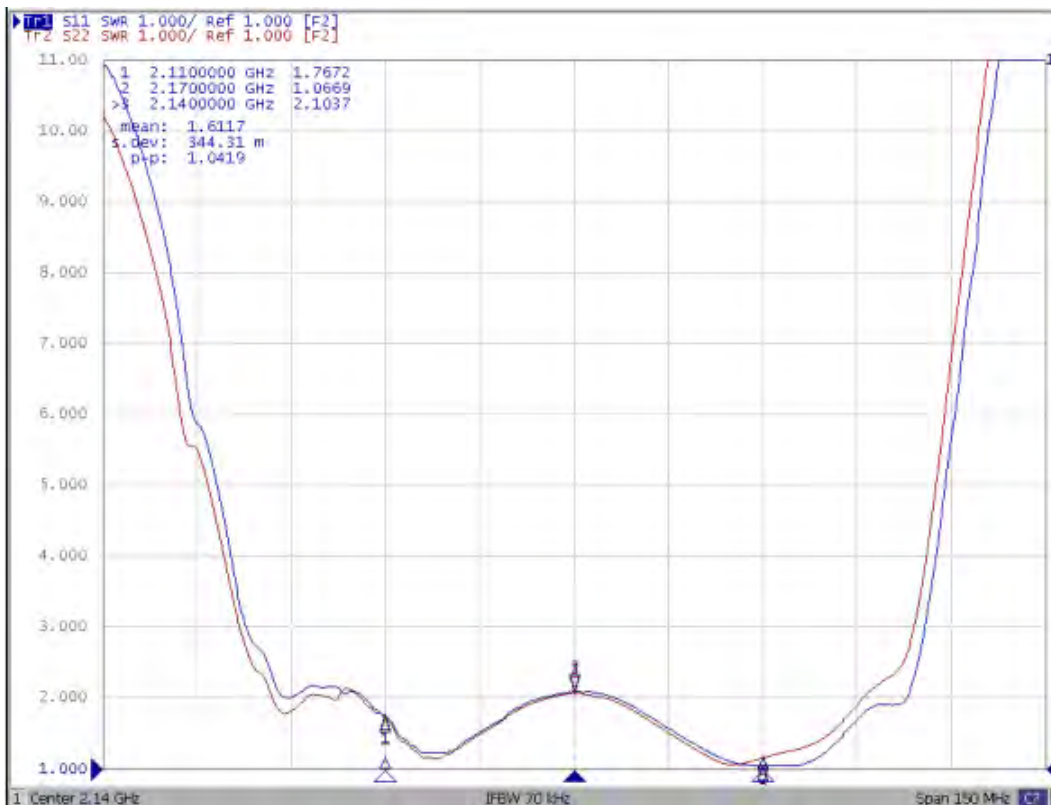
SAW Filter 2140.0MHz
Part No: MP04337

Model: TA1396A
Rev No: 1

S21 response: (span 150MHz)



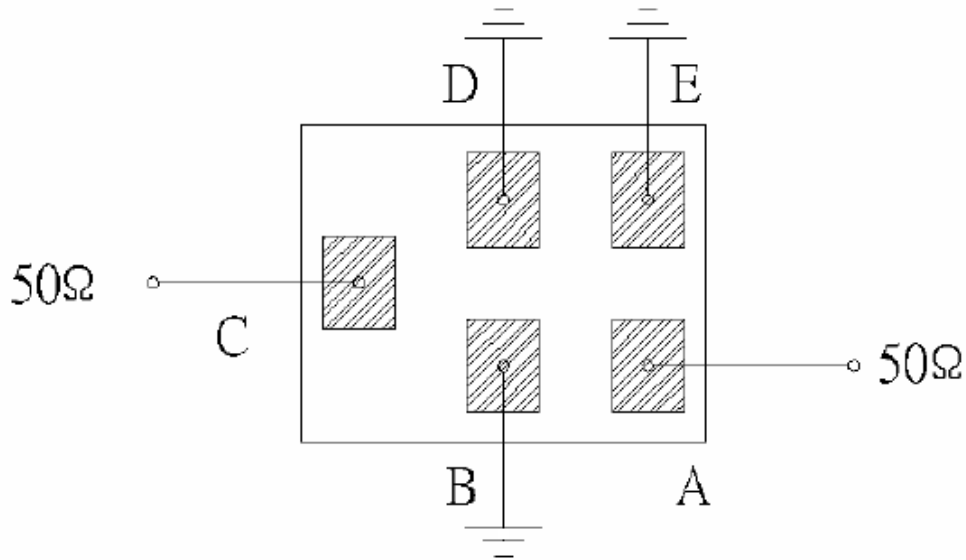
S21 VSWR: (span 150MHz)



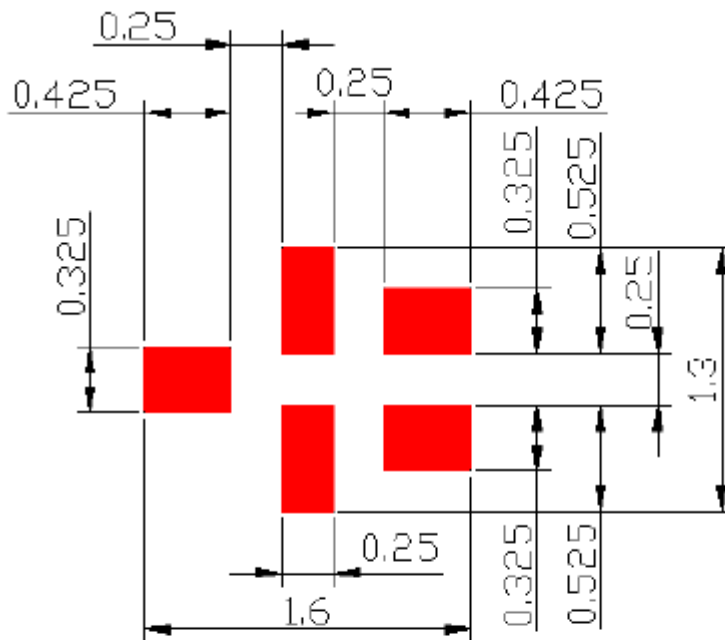
SAW Filter 2140.0MHz
Part No: MP04337

Model: TA1396A
Rev No: 1

D. MEASUREMENT CIRCUIT:



E. PCB FOOTPRINT:

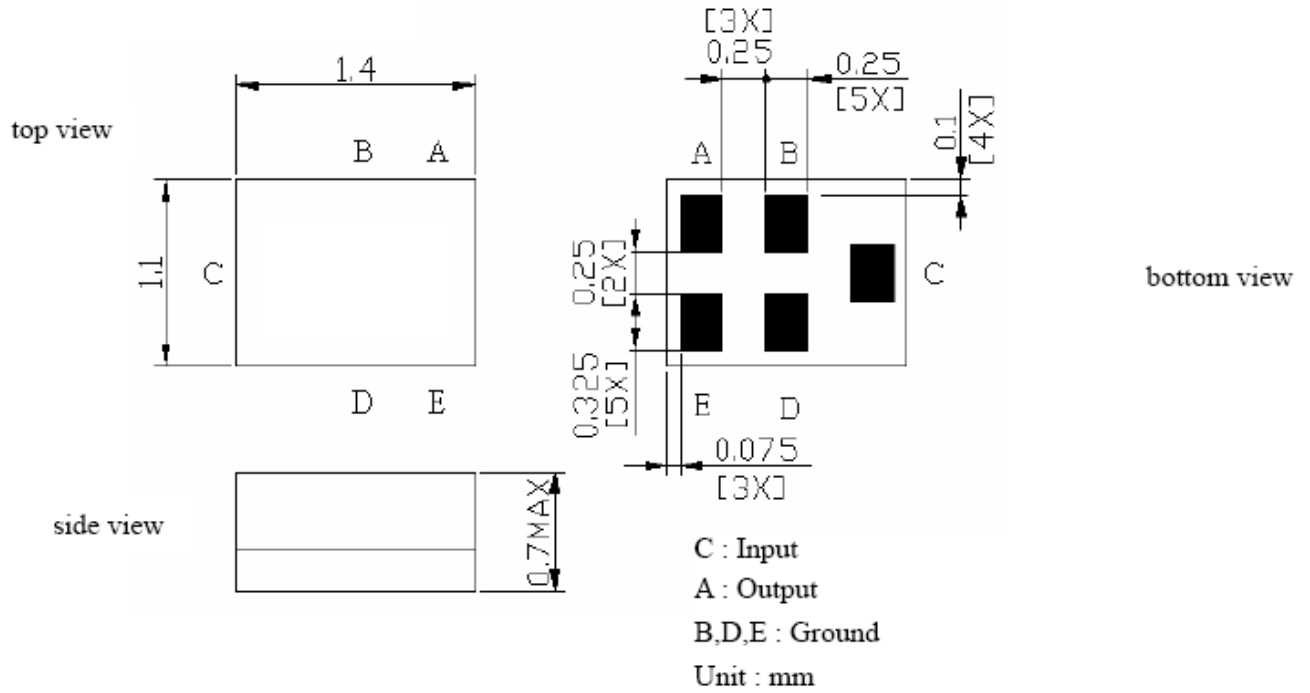


 : Land Pattern
Unit : mm

SAW Filter 2140.0MHz
Part No: MP04337

Model: TA1396A
Rev No: 1

F. OUTLINE DRAWING:



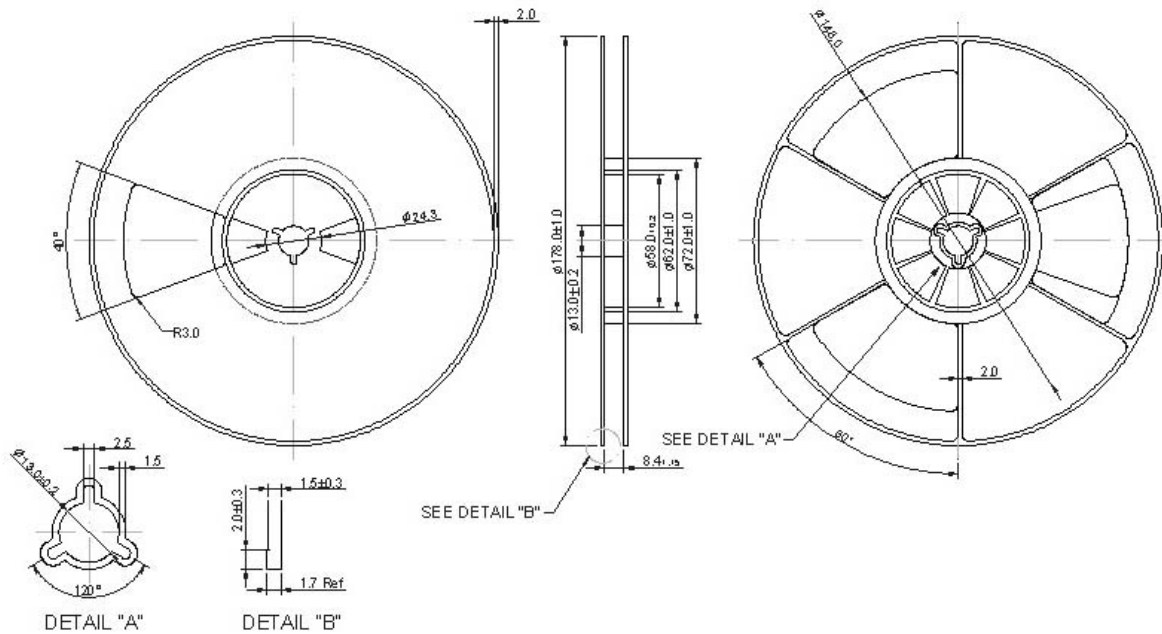
SAW Filter 2140.0MHz
Part No: MP04337

Model: TA1396A
Rev No: 1

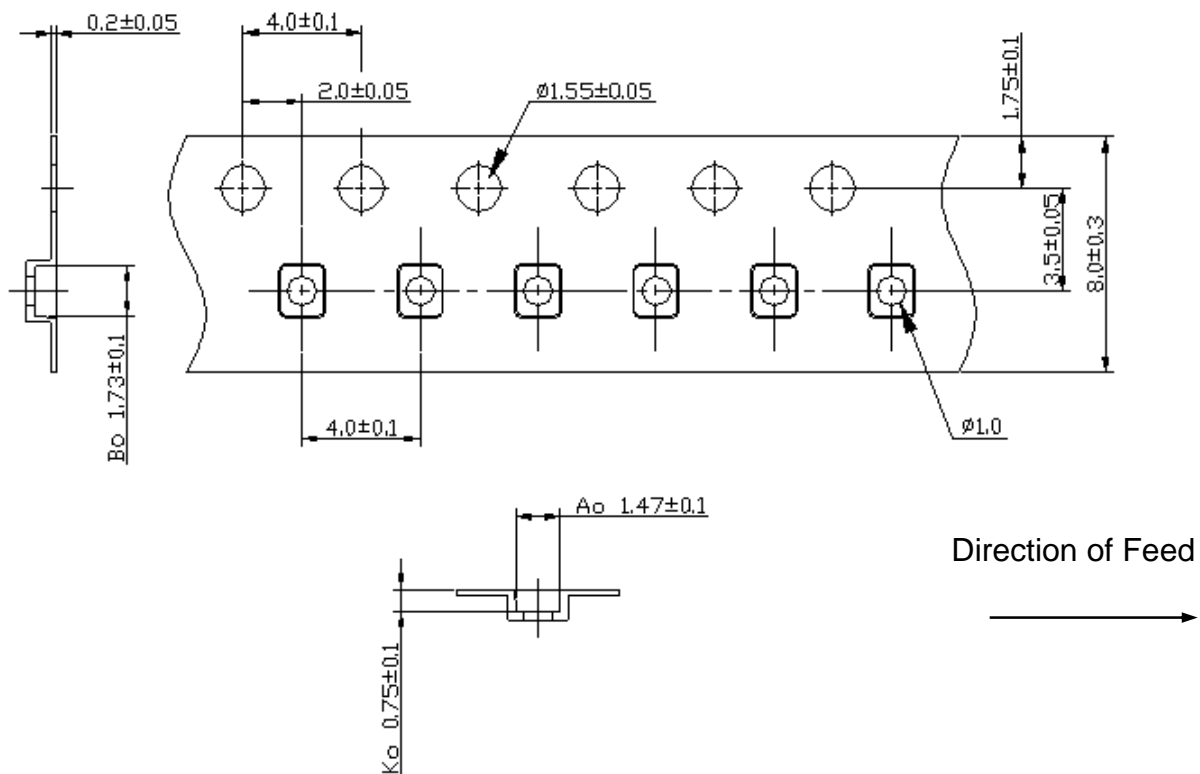
G. PACKING:

1. Reel Dimension

(Reel Count: 7" = 3000)



2. Tape Dimension



SAW Filter 2140.0MHz
Part No: MP04337

Model: TA1396A
Rev No: 1

H. RECOMMENDED REFLOW PROFILE:

