

SAW Filter 1960.0MHz
Part No: MP04403

Model: TA0246A
Rev No: 3

A. MAXIMUM RATING:

1. Operating Temperature: -20°C ~ +75°C
2. Storage Temperature: -40°C ~ +85°C

B. ELECTRICAL CHARACTERISTICS:

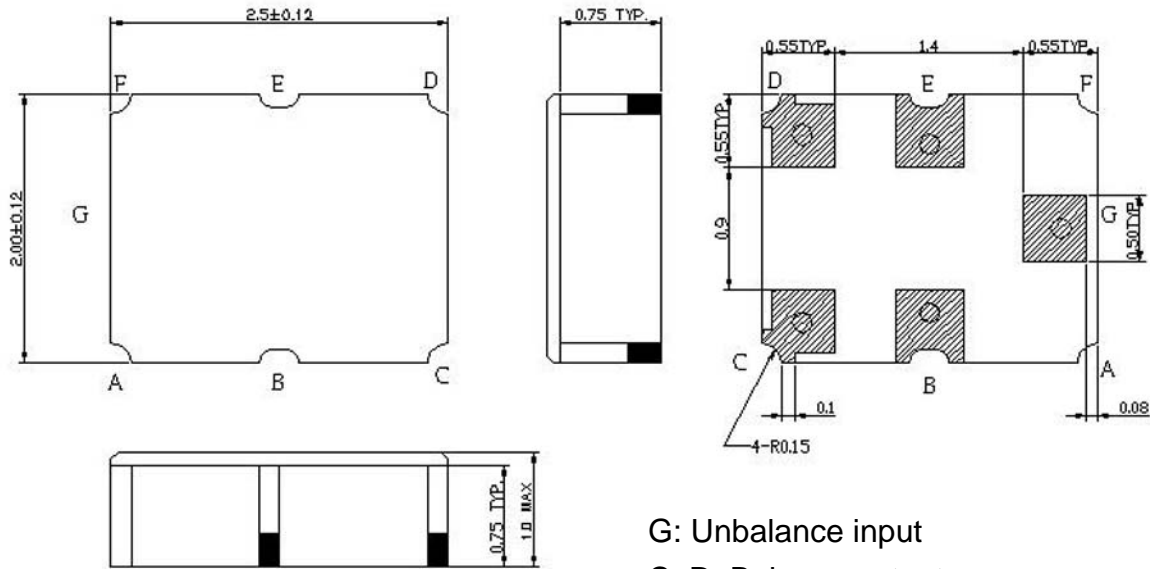
1. Singled to Balanced operation
2. Terminating source impedance: $Z_S = 50\Omega$
3. Terminating load impedance: $Z_L = 200\Omega // 18nH$

Item	Min.	Typ.	Max.	Note
Center frequency F_c MHz	-	1960	-	-
Insertion loss (1930 ~ 1990MHz) IL (dB)	-	2.7	4.0	-
Ripple (1930 ~ 1990MHz) (dB)	-	0.6	2.4	-
Input VSWR (1930 ~ 1990MHz)	-	1.8	2.4	-
Output VSWR (1930 ~ 1990MHz)	-	2.0	2.4	-
Attenuation: (Reference level from 0dB)				
0 ~ 1000MHz (dB)	45	55	-	-
1000 ~ 1830MHz(dB)	25	31	-	-
1830 ~ 1900MHz (dB)	15	25	-	-
1900 ~ 1910MHz (dB)	7	12.5	-	-
2010 ~ 2030MHz (dB)	5	8	-	-
2030 ~ 2070MHz (dB)	12	18	-	-
2070 ~ 2310MHz (dB)	20	23.5	-	-
2310 ~ 2380MHz (dB)	35	38	-	-
2380 ~ 4600MHz (dB)	30	39	-	-
4600 ~ 6000MHz (dB)	23	54	-	-
Symmetry in band (referenced to the matched operating condition)				
$ S_{31} / S_{21} $ (1930 ~ 1990MHz) (dB)	-2.0	0	1.5	-
$\Phi(S_{31})-\Phi(S_{21})$ (1930 ~ 1990 MHz) degree	-15	0	15	-

SAW Filter 1960.0MHz
Part No: MP04403

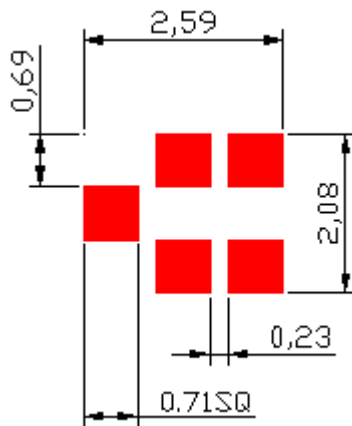
Model: TA0246A
Rev No: 3

C. OUTLINE DRAWING:

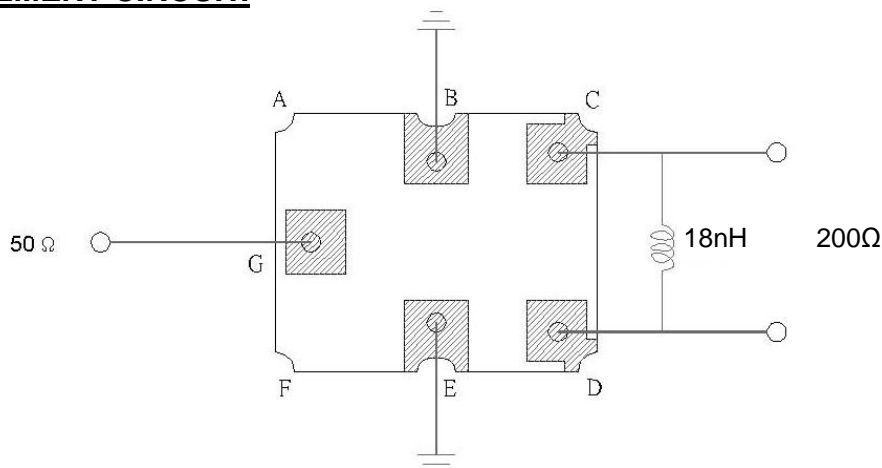


G: Unbalance input
 C, D: Balance output
 B, E: Ground
 Unit: mm

D. PCB FOOTPRINT:



E. MEASUREMENT CIRCUIT:

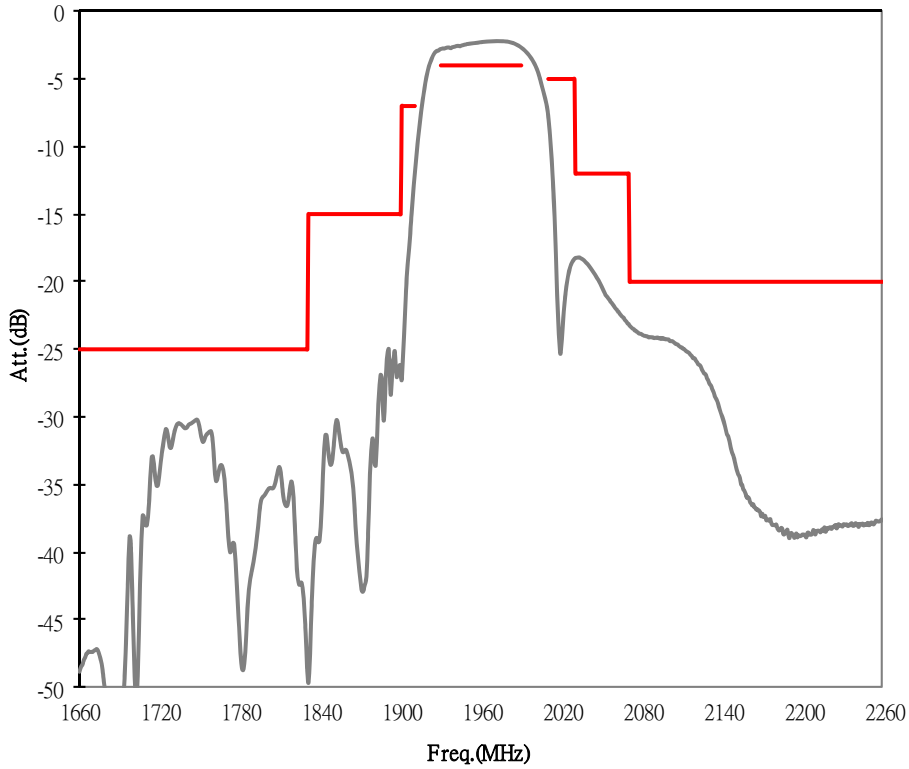


SAW Filter 1960.0MHz
Part No: MP04403

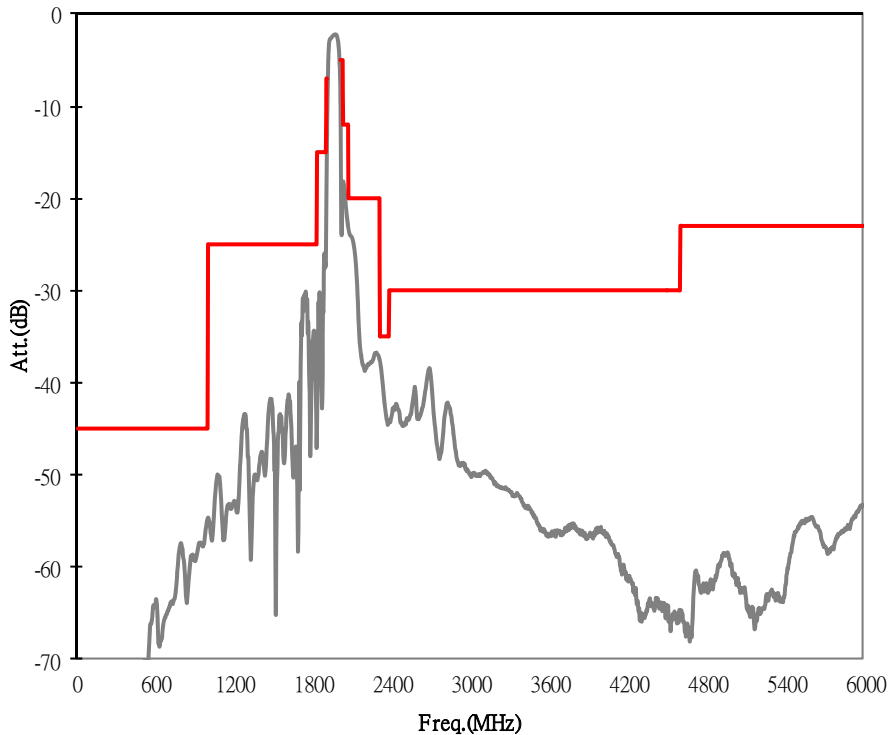
Model: TA0246A
Rev No: 3

F. FREQUENCY CHARACTERISTICS:

1. Transfer function (25°C)



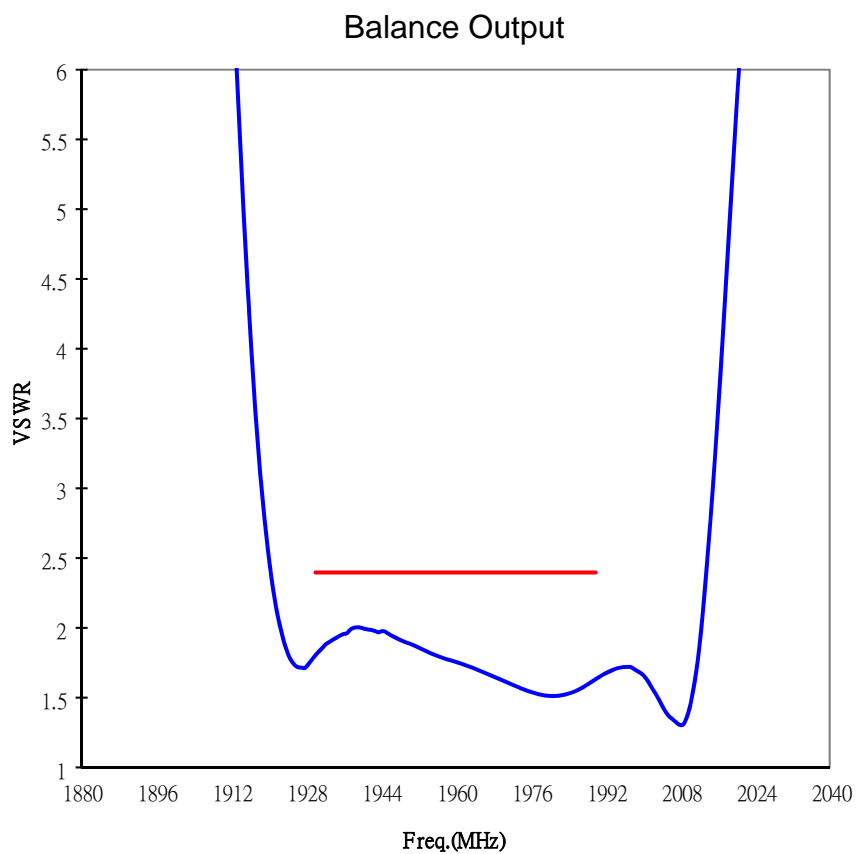
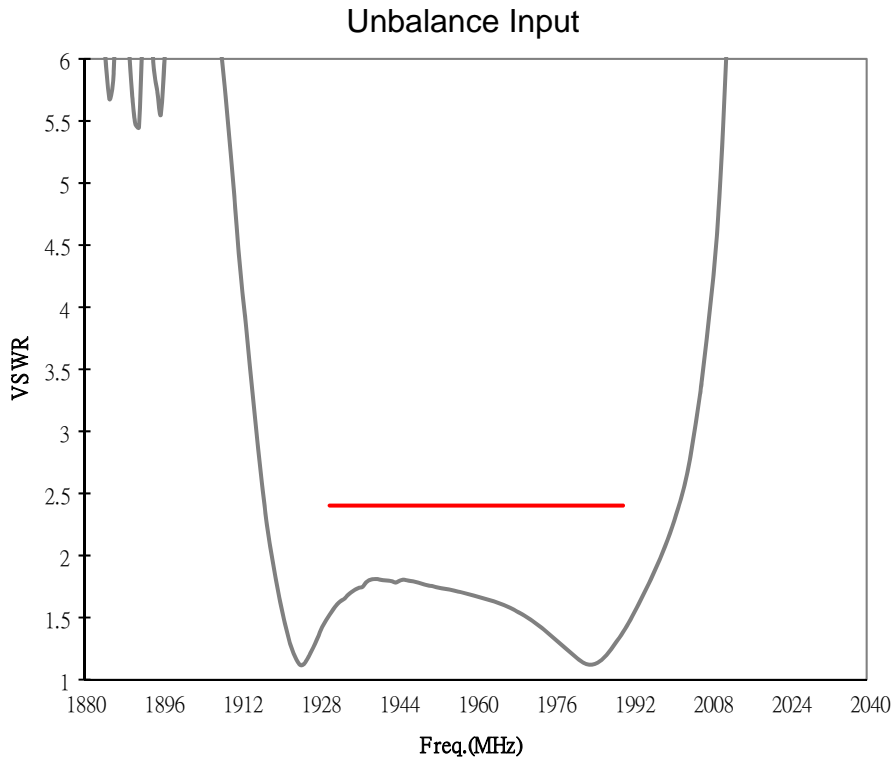
2. Wideband



SAW Filter 1960.0MHz
Part No: MP04403

Model: TA0246A
Rev No: 3

3. VSWR (25°C)

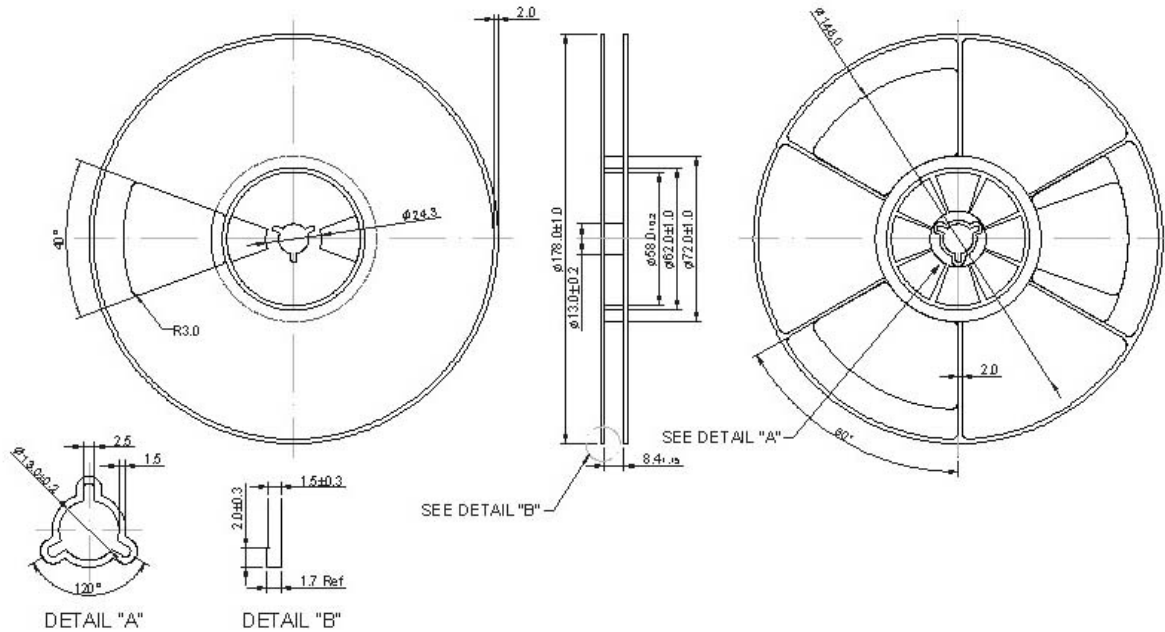


SAW Filter 1960.0MHz
Part No: MP04403

Model: TA0246A
Rev No: 3

G. PACKING:

1. Reel Dimension



2. Tape Dimension

