

SAW Filter 1972.50MHz
Part No: MP04406

Model: TA0711A
Rev No: 1

A. MAXIMUM RATING:

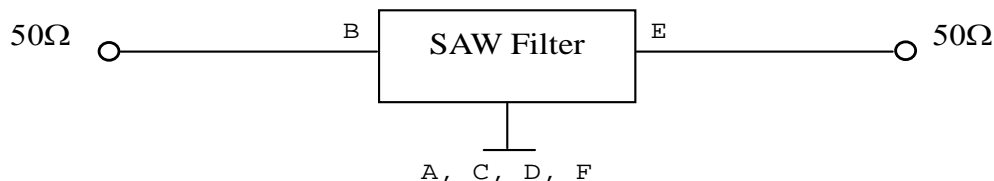
1. Input Power Level: 10dBm
2. DC Voltage: 3V
3. Operating Temperature: -20°C to +75°C
4. Storage Temperature: -40°C to +85°C

B. ELECTRICAL CHARACTERISTICS:

Item	Unit	Min.	Typ.	Max.	Note
Center Frequency Fc	MHz	-	1972.5	-	-
Insertion Loss (1965 ~ 1980MHz) IL	dB	-	1.8	4	-
Amplitude Ripple (1965 ~ 1980MHz)	dB	-	0.2	2	-
Group Delay Ripple (1965 ~ 1980MHz)	ns	-	4	16	-
VSWR (1965 ~ 1980MHz)		-	1.2	2	-
Attenuation (Reference level from 0dB)					
DC ~ 1785MHz	dB	30	34.5	-	-
1785 ~ 1895MHz	dB	34	37	-	-
2040 ~ 2140MHz	dB	35	42.5	-	-
2140 ~ 3245MHz	dB	36	46	-	-
3245 ~ 4000MHz	dB	30	32	-	-

C. MEASUREMENT CIRCUIT:

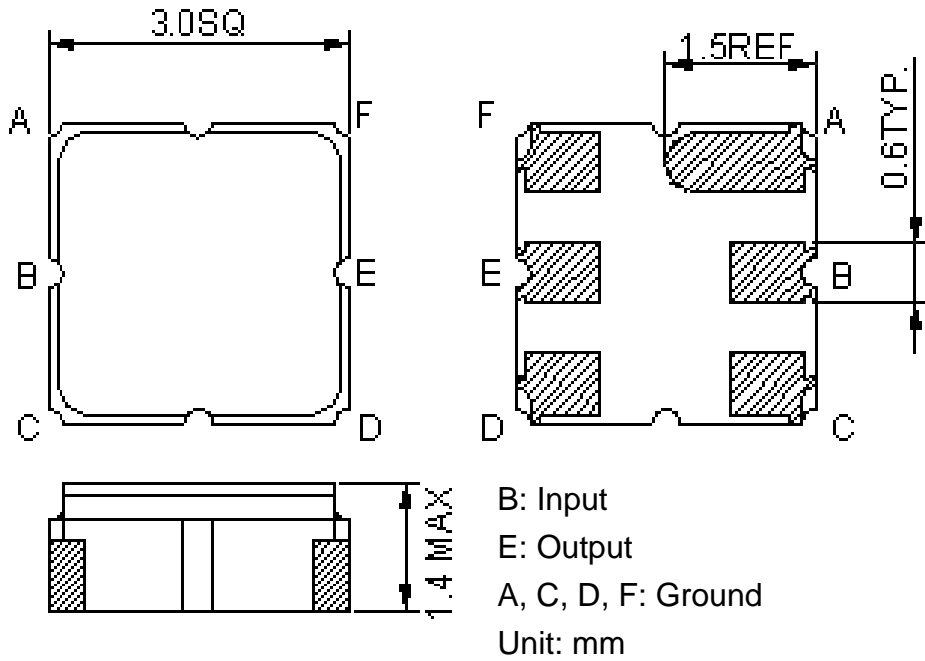
HP Network analyzer



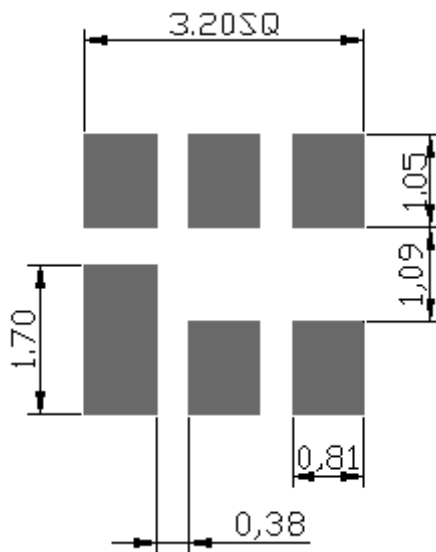
SAW Filter 1972.50MHz
Part No: MP04406

Model: TA0711A
Rev No: 1

D. OUTLINE DRAWING:



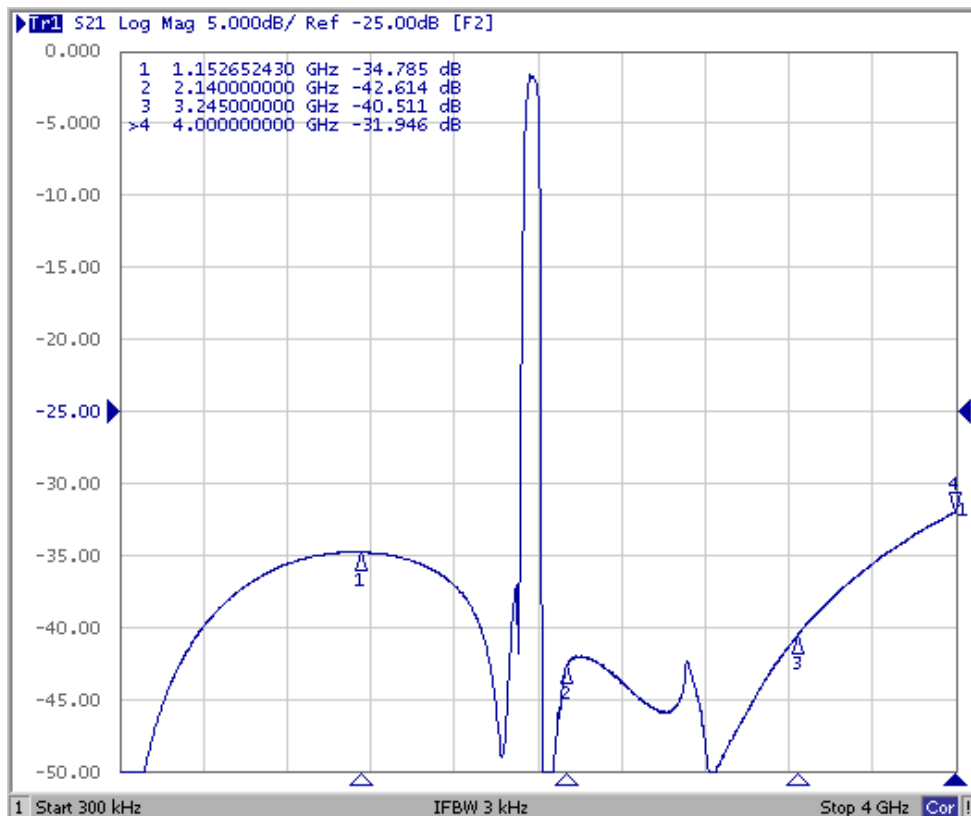
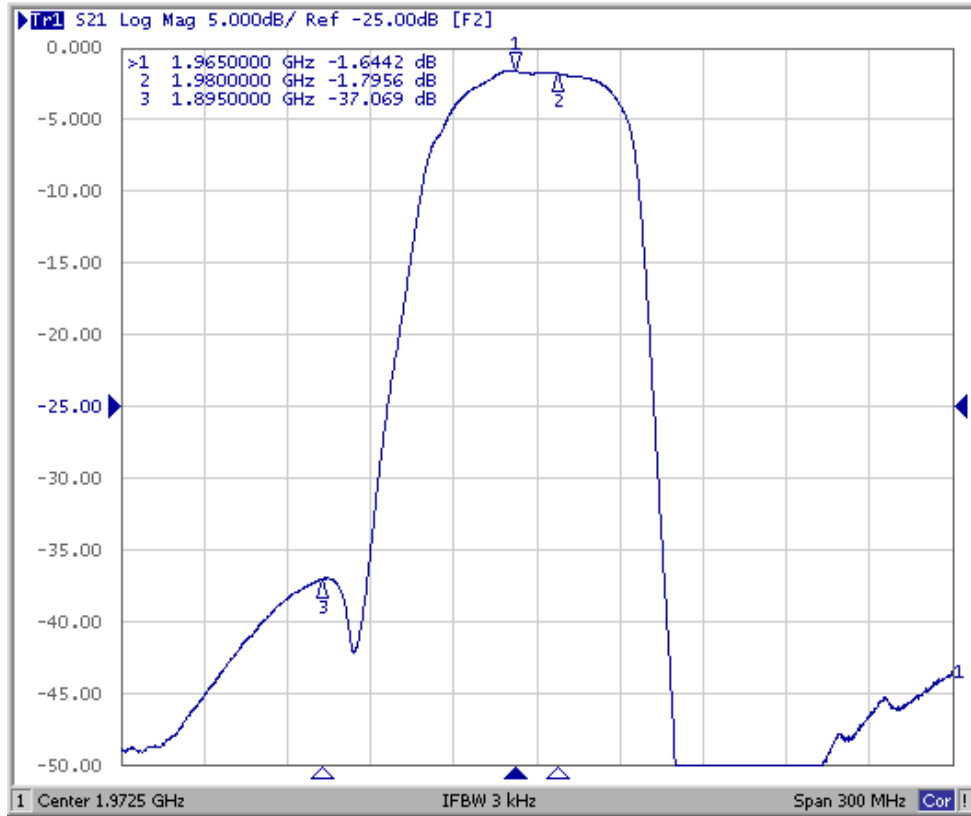
E. PCB FOOTPRINT:



SAW Filter 1972.50MHz
Part No: MP04406

Model: TA0711A
Rev No: 1

F. FREQUENCY CHARACTERISTICS:

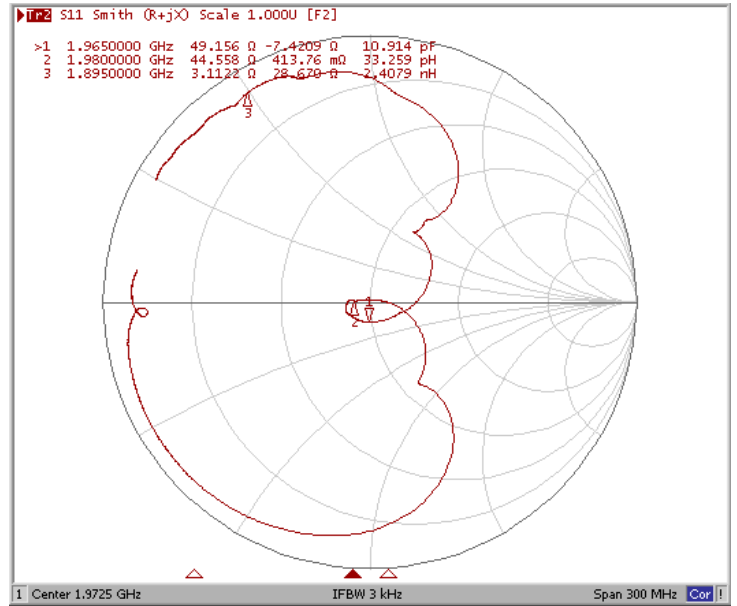
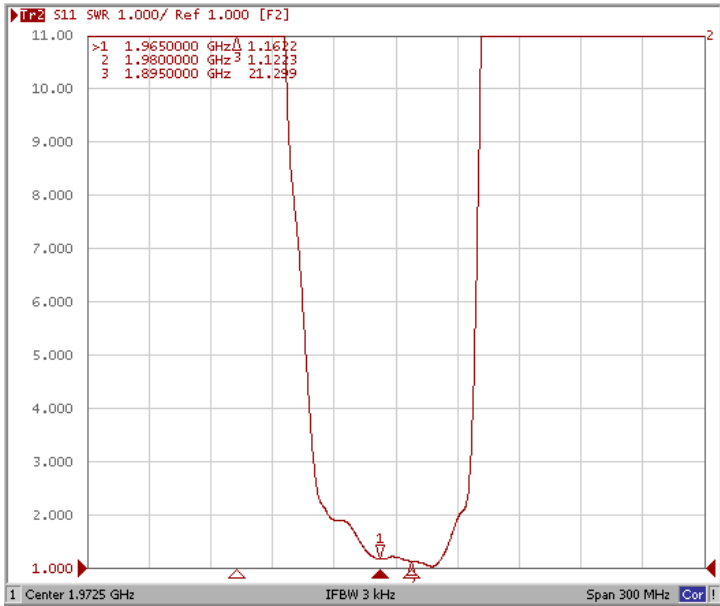


SAW Filter 1972.50MHz
Part No: MP04406

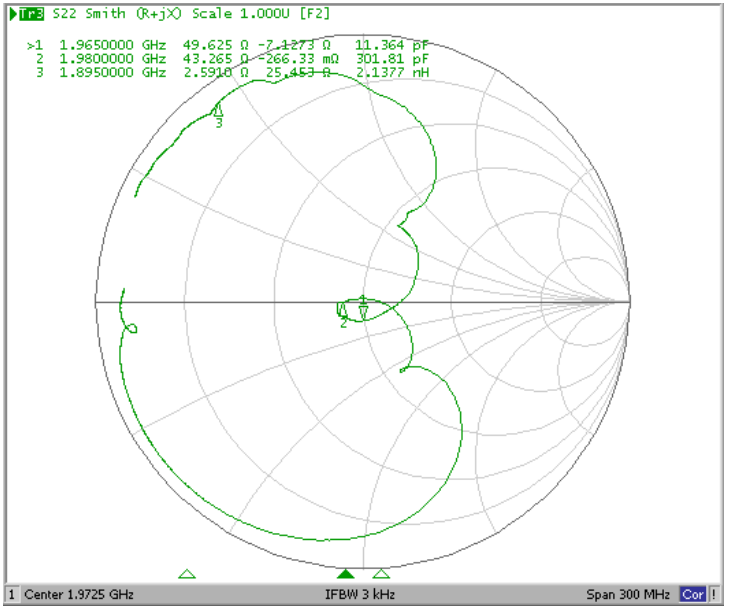
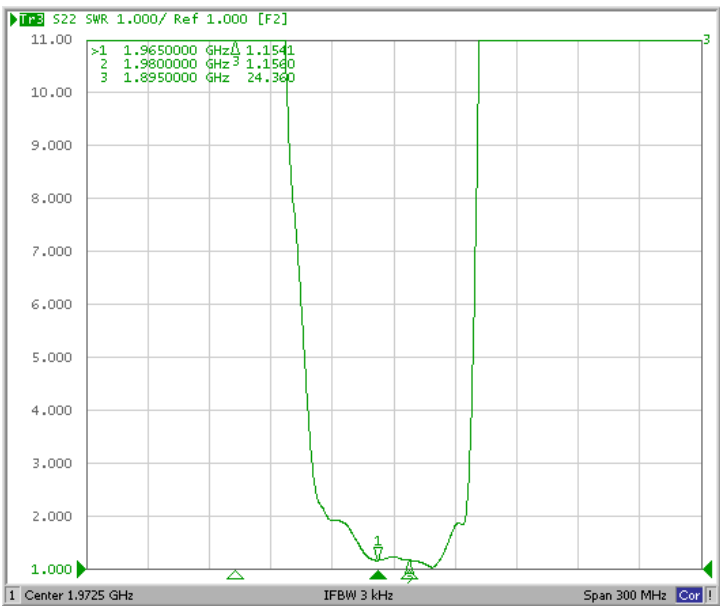
Model: TA0711A
Rev No: 1

1. Reflection Functions

S11



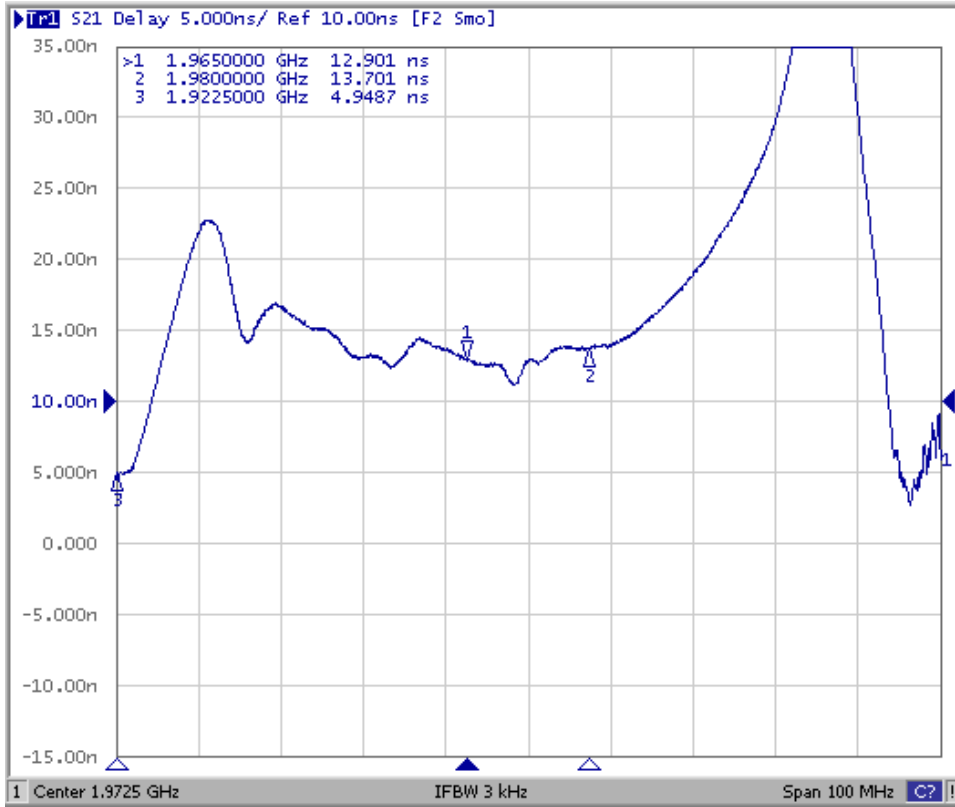
S22



SAW Filter 1972.50MHz
Part No: MP04406

Model: TA0711A
Rev No: 1

2. Group Delay



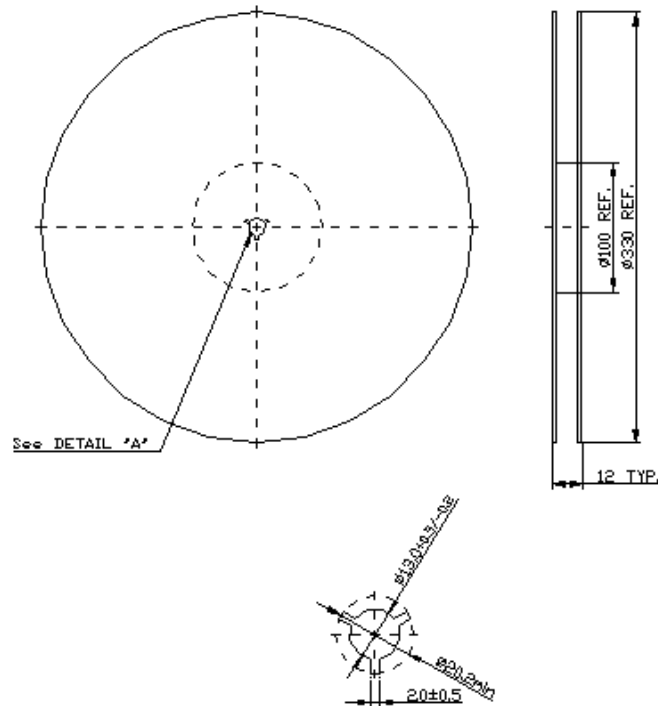
SAW Filter 1972.50MHz
Part No: MP04406

Model: TA0711A
Rev No: 1

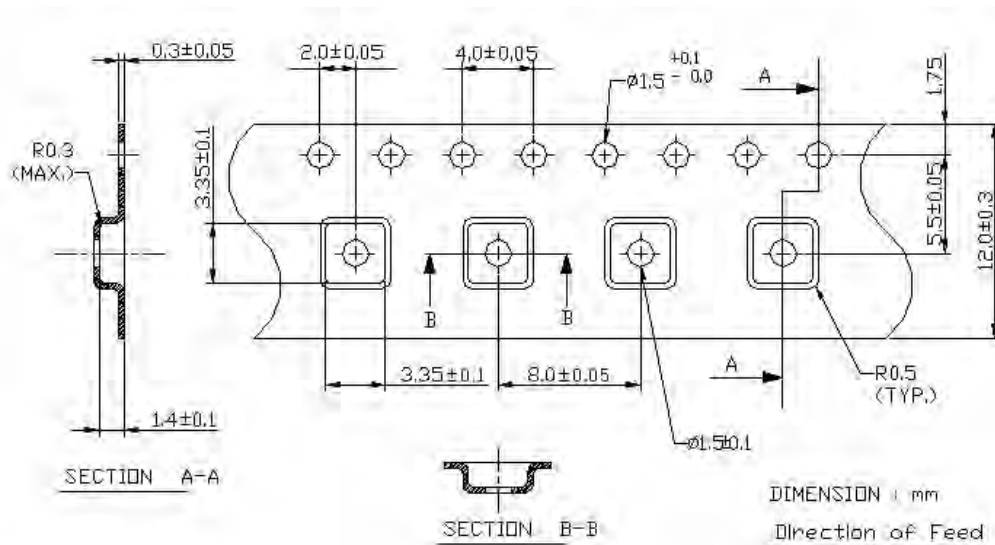
G. PACKING:

1. Reel Dimension

(Reel Count: 7" = 1000; 13" = 3000)



2. Tape Dimension



SAW Filter 1972.50MHz
Part No: MP04406

Model: TA0711A
Rev No: 1

H. RECOMMENDED REFLOW PROFILE:

