

SAW Filter 130.340MHz

Model: TB1036A

Part No: MP04461

Rev No: 1

A. MAXIMUM RATING:

Electrostatic Sensitive Device

1. Operating temperature range: -30°C to 65°C
2. Storage temperature range: -40°C to 85°C
3. Input Power Level: 10dBm
4. Maximum DC Voltage: 10V

B. CHARACTERISTICS:

Item	Unit	Min.	Typ.	Max.
Center frequency Fc	MHz	-	130.34	-
Insertion Loss IL	dB	-	12.0	16.0
1dB Band Width	MHz	27	30.4	
Amplitude Ripple Fc ± 12.5MHz	dB	-	0.6	1.0
Attenuation (Reference level from typical Insertion loss)				
DC ~ 104MHz	dB	40	50	
153MHz ~ 800MHz	dB	40	45	
Temperature Coefficient	ppm/°C	-	-94	-
Source Impedance	Ohm	-	50	-
Load Impedance	Ohm	-	50	-

SAW Filter 130.340MHz
Part No: MP04461

Model: TB1036A
Rev No: 1

C. FREQUENCY CHARACTERISTICS:

1. Wide band Response: (span 200MHz)

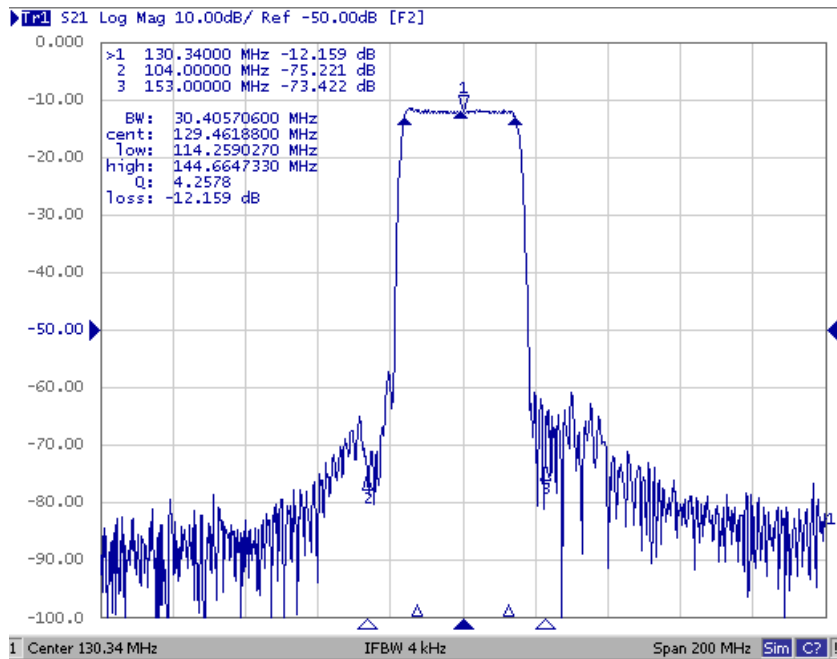


Fig. 1. Horizontal: 20MHz / Div, Vertical: 10Db / Div

2. Pass band Response and Group Time Delay response:

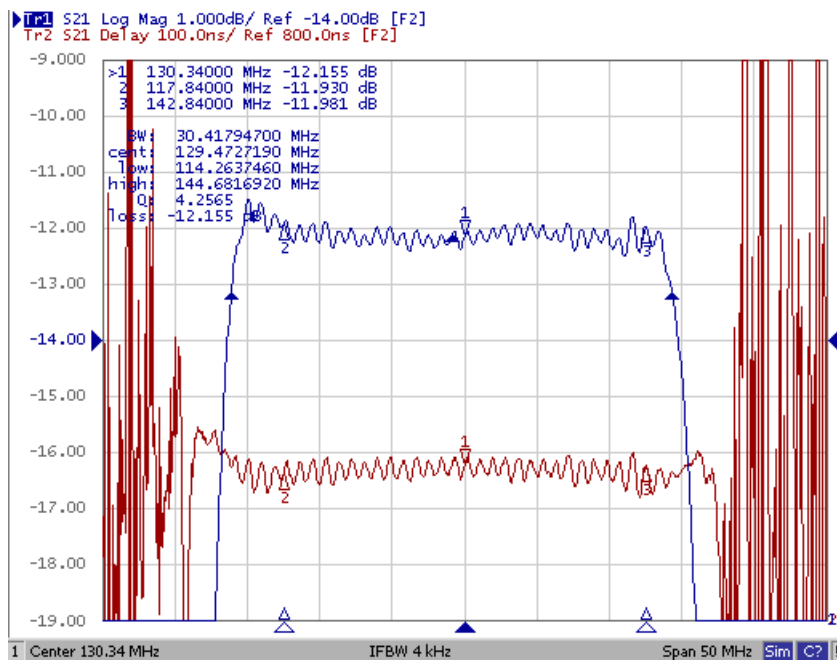
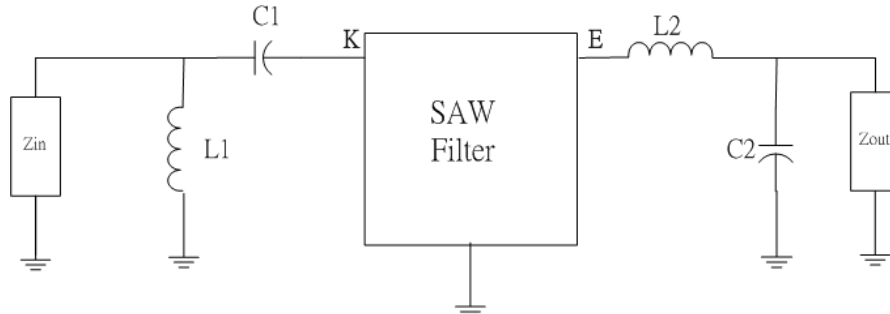


Fig. 2. Horizontal: 5MHz / Div, Vertical: 1dB/Div, Vertical: 100ns / Div

SAW Filter 130.340MHz
Part No: MP04461

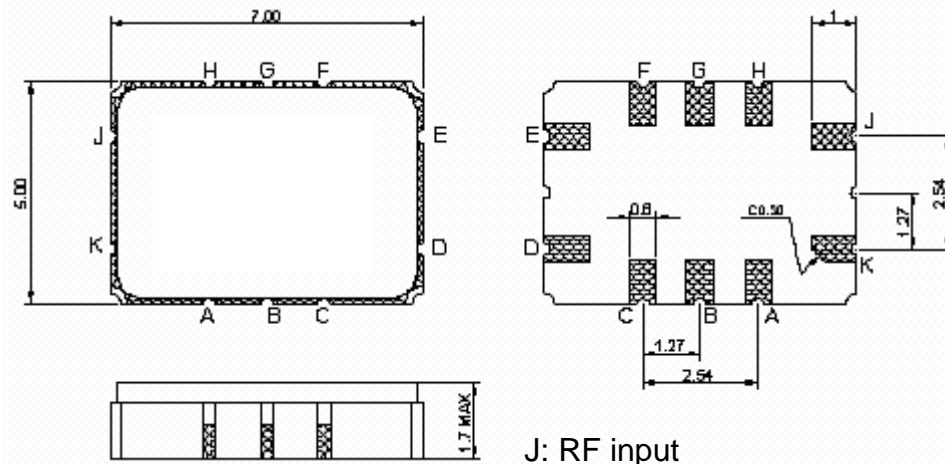
Model: TB1036A
Rev No: 1

D. MATCHING CIRCUIT:



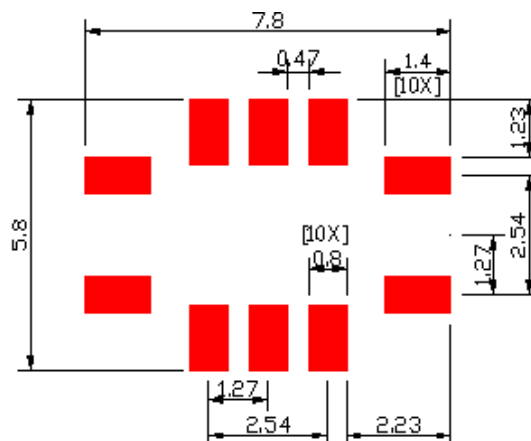
$L1 = 39\text{nH}$ $C1 = 150\text{pF}$ $L2 = 47\text{nH}$ $C2 = 82\text{pF}$

E. OUTLINE DRAWING:



J: RF input
 K: RF input ground
 D: RF output
 E: RF output ground
 A, B, C, F, G, H: Ground
 Unit: mm

F. PCB FOOTPRINT:

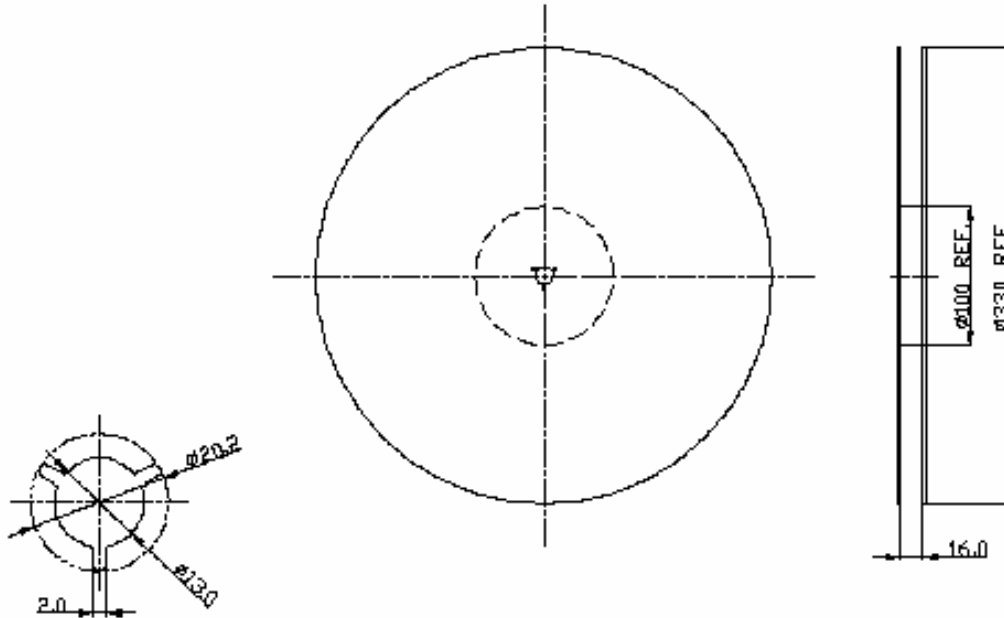


SAW Filter 130.340MHz
Part No: MP04461

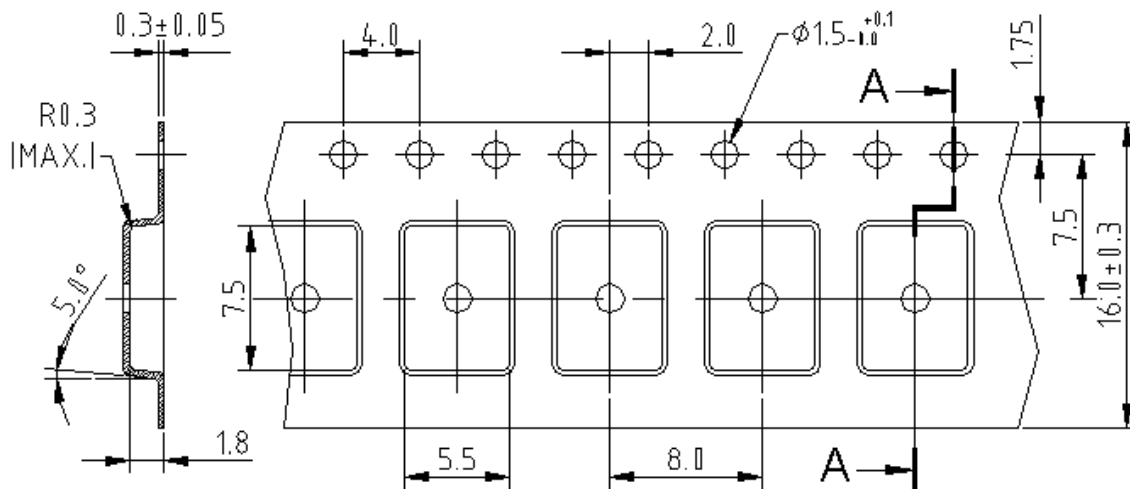
Model: TB1036A
Rev No: 1

G. PACKING:

1. Reel Dimension



2. Tape Dimension



SAW Filter 130.340MHz
Part No: MP04461

Model: TB1036A
Rev No: 1

H. RECOMMENDED REFLOW PROFILE:

