

SAW Filter 2017.50MHz
Part No: MP04467

Model: TA1129A
Rev No: 1

A. MAXIMUM RATING:

1. Input Power Level: 10dBm
2. DC Voltage: 3V
3. Operating Temperature: -25°C to +85°C
4. Storage Temperature: -40°C to +95°C

B. ELECTRICAL CHARACTERISTICS:

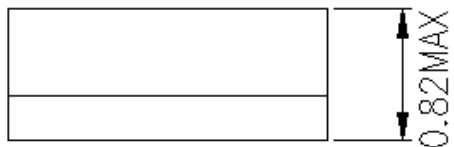
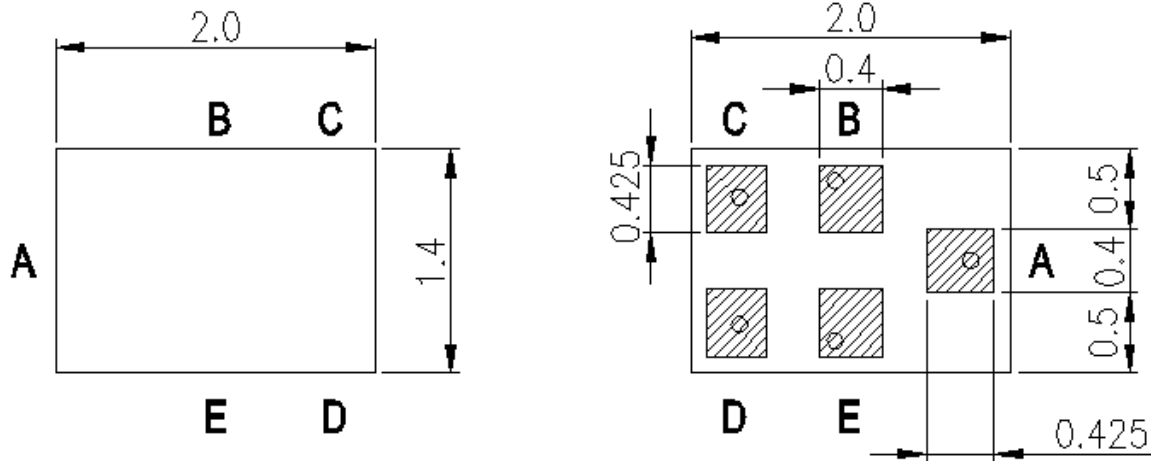
1. Terminating source impedance (single-ended): $Z_S = 50\Omega$
2. Terminating load impedance (differential): $Z_L = 200\Omega // 15\text{nh}$

Item	Unit	Min.	Typ.	Max.
Center Frequency F_c	MHz	-	2017.5	-
Insertion Loss (2010 ~ 2025MHz) IL	dB	-	2	2.7
Amplitude ripple (2010 ~ 2025MHz)	dB	-	0.4	1.4
Group Delay ripple (2010 ~ 2025MHz)	ns	-	3	12
Output amplitude balance ($ S_{31}/S_{21} $) (2010~2025MHz)	dB	-4	-1.6	4
Output phase balance ($\Phi(S_{31})-\Phi(S_{21})+180^\circ$) (2010~2025MHz)	deg	-12	-5	12
VSWR (2010 ~ 2025MHz)		-	2.1	2.5
Attenuation				
100 ~ 995MHz	dB	32	56	-
995 ~ 1022MHz	dB	35	55	-
1022 ~ 1925MHz	dB	25	36	-
1925 ~ 1950MHz	dB	22	35	-
2085 ~ 2110MHz	dB	15	28	-
2430 ~ 2565MHz	dB	35	60	-
2565 ~ 4010MHz	dB	32	42	-
4010 ~ 4060MHz	dB	40	55	-
4060 ~ 6000MHz	dB	32	45	-

SAW Filter 2017.50MHz
Part No: MP04467

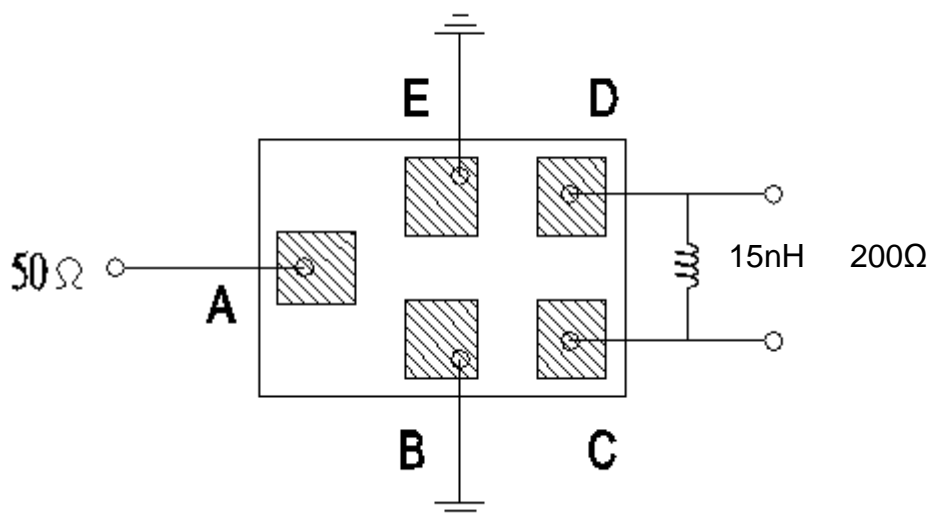
Model: TA1129A
Rev No: 1

C. OUTLINE DRAWING:



A: Unbalance Input
 C, D: Balance Output
 B, E: Ground
 Unit: mm

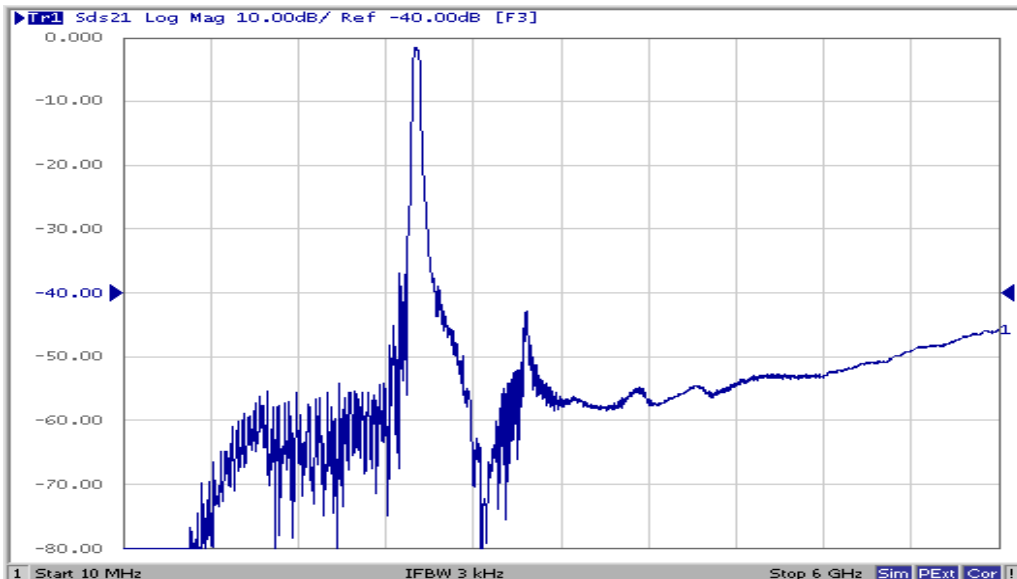
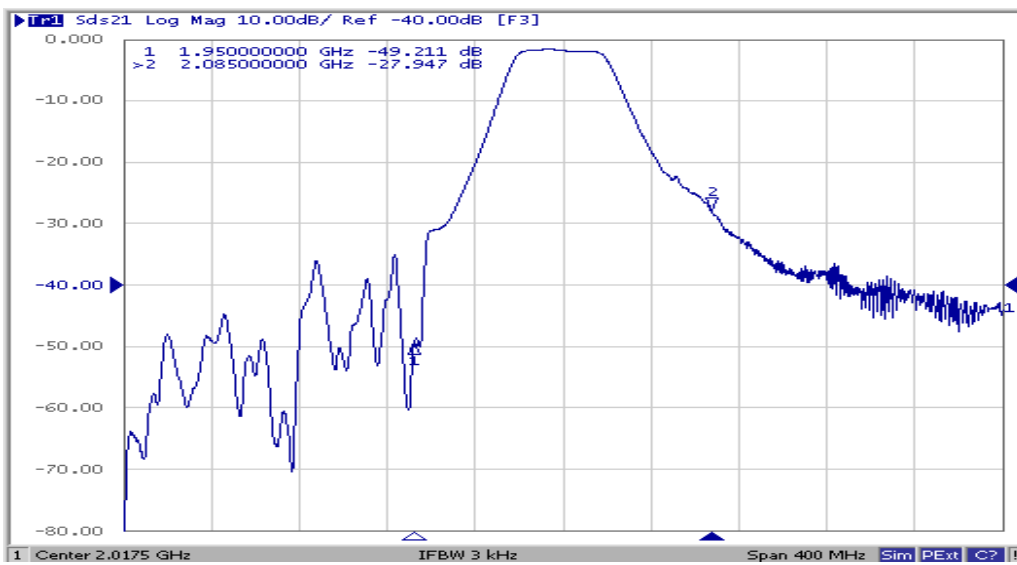
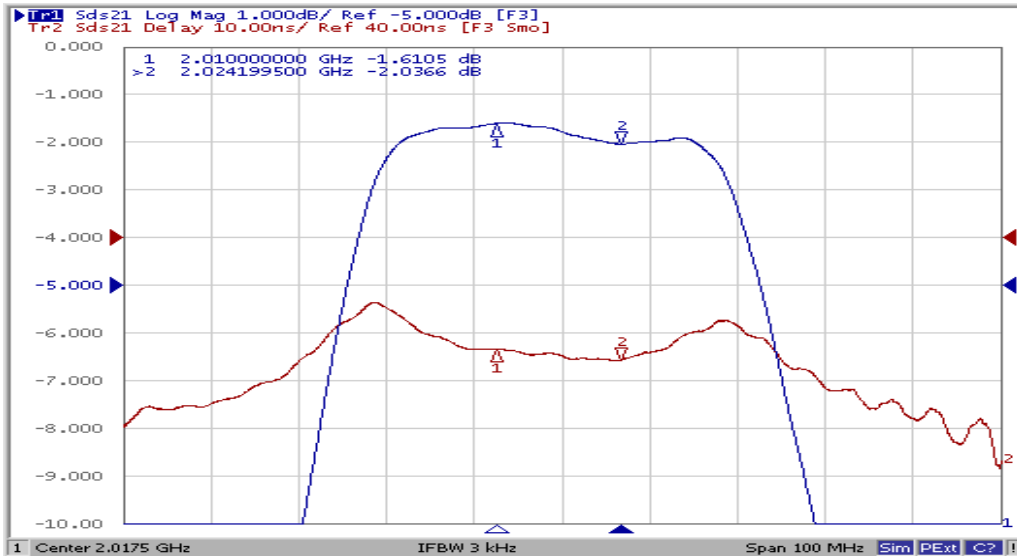
D. MEASUREMENT CIRCUIT:



SAW Filter 2017.50MHz
Part No: MP04467

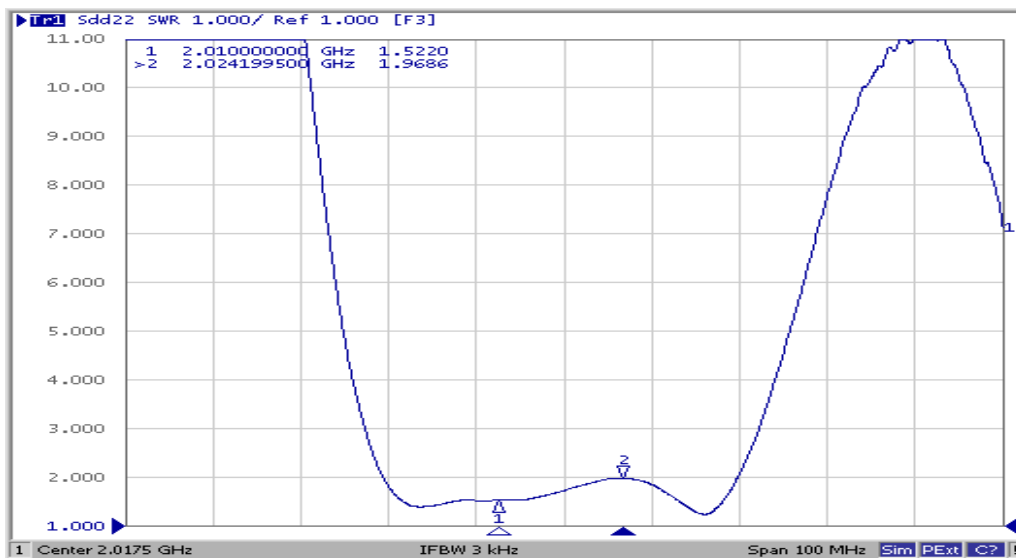
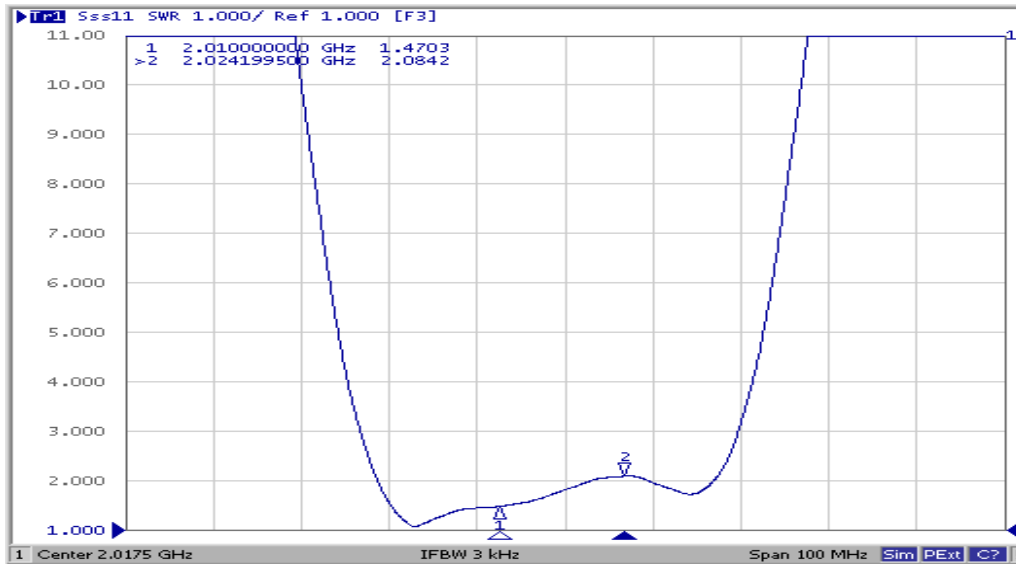
Model: TA1129A
Rev No: 1

E. FREQUENCY CHARACTERISTICS:



SAW Filter 2017.50MHz
Part No: MP04467

Model: TA1129A
Rev No: 1



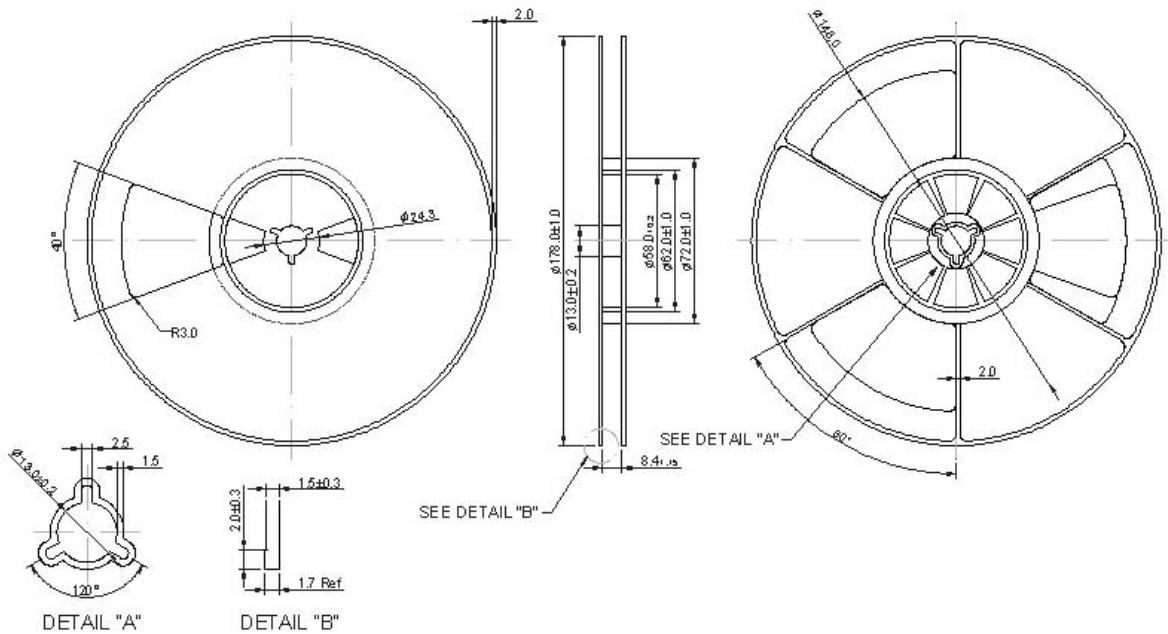
SAW Filter 2017.50MHz
Part No: MP04467

Model: TA1129A
Rev No: 1

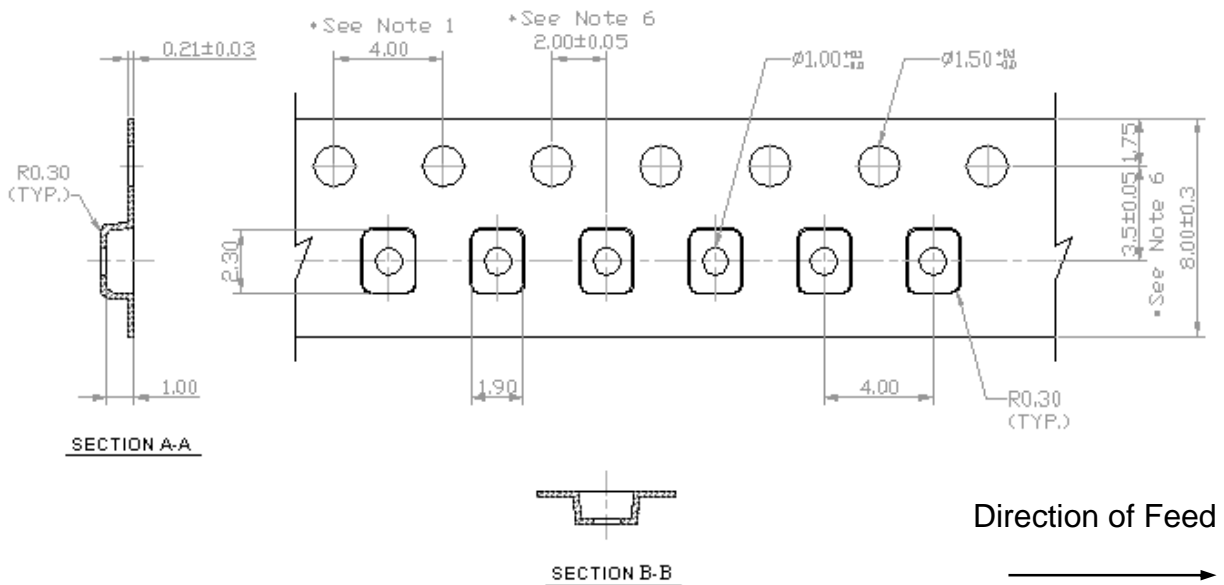
F. PACKING:

1. Reel Dimension

(Reel Count: 7" = 2000; 13" = 10000)



2. Tape Dimension



SAW Filter 2017.50MHz
Part No: MP04467

Model: TA1129A
Rev No: 1

G. RECOMMENDED REFLOW PROFILE:

