

SAW Filter 2017.50MHz
Part No: MP04469

Model: TA1177A
Rev No:1

A. MAXIMUM RATING:

1. Input Power Level: 10dBm
2. DC Voltage: 3V
3. Operating Temperature: -25°C to +85°C
4. Storage Temperature: -40°C to +95°C

B. ELECTRICAL CHARACTERISTICS:

1. Terminating source impedance (single-ended): $Z_S = 50\Omega$
2. Terminating load impedance (differential): $Z_L = 200\Omega // 22nH$

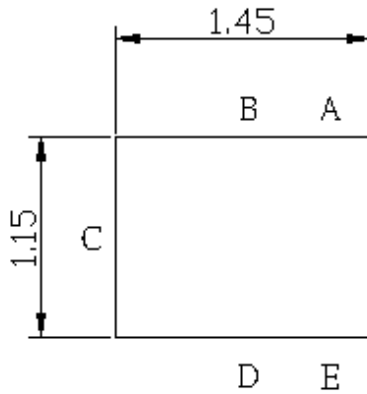
Item	Unit	Min.	Typ.	Max.
Center Frequency Fc	MHz	-	2017.5	-
Insertion Loss (2010 ~ 2025MHz) IL	dB	-	2	2.7
Amplitude ripple (2010 ~ 2025MHz)	dB	-	0.4	1.4
Group Delay ripple (2010 ~ 2025MHz)	ns	-	4	12
Output amplitude balance ($ S_{31}/S_{21} $) (2010~2025MHz)	dB	-3	1	3
Output phase balance ($\Phi(S_{31})-\Phi(S_{21})+180^\circ$) (2010~2025MHz)	deg	-12	5	12
VSWR (2010 ~ 2025MHz)		-	2	2.5
Attenuation				
100 ~ 995MHz	dB	32	60	-
995 ~ 1022MHz	dB	35	60	-
1022 ~ 1925MHz	dB	25	38	-
1925 ~ 1950MHz	dB	22	35	-
2085 ~ 2110MHz	dB	15	26	-
2430 ~ 2565MHz	dB	35	60	-
2565 ~ 4010MHz	dB	32	45	-
4010 ~ 4060MHz	dB	40	53	-
4060 ~ 6000MHz	dB	32	47	-

SAW Filter 2017.50MHz
Part No: MP04469

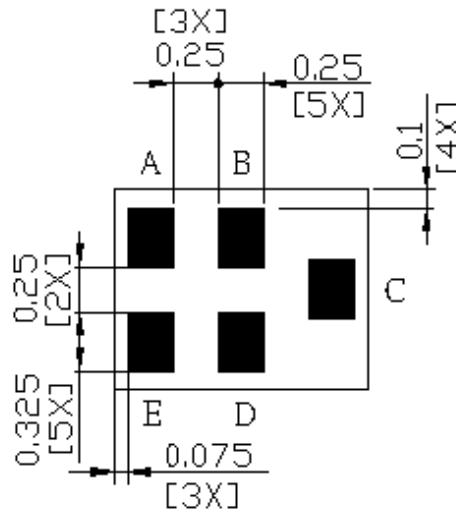
Model: TA1177A
Rev No:1

C. OUTLINE DRAWING:

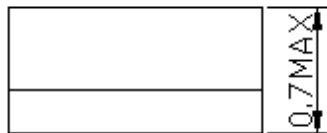
top view



bottom view

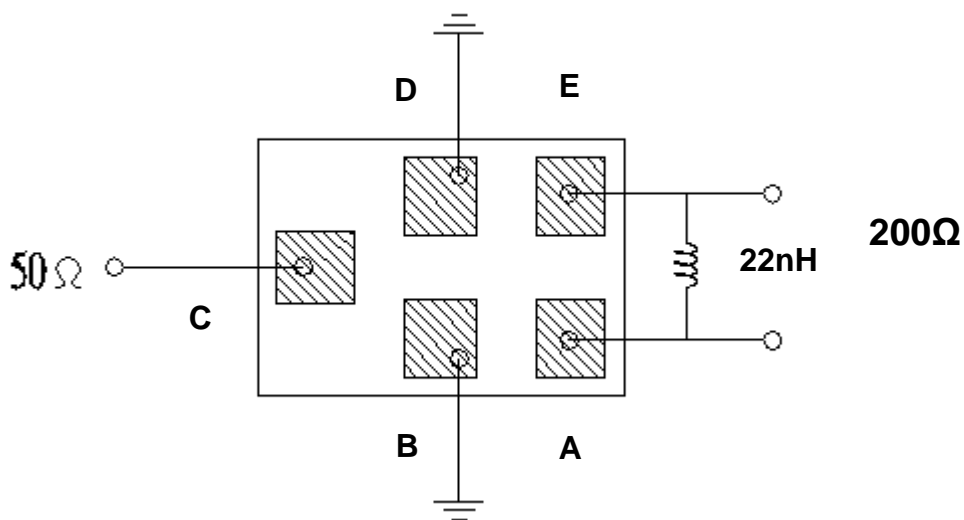


side view



C : Unbalance Input
 A,E : Balance Output
 B,D : Ground
 Unit : mm

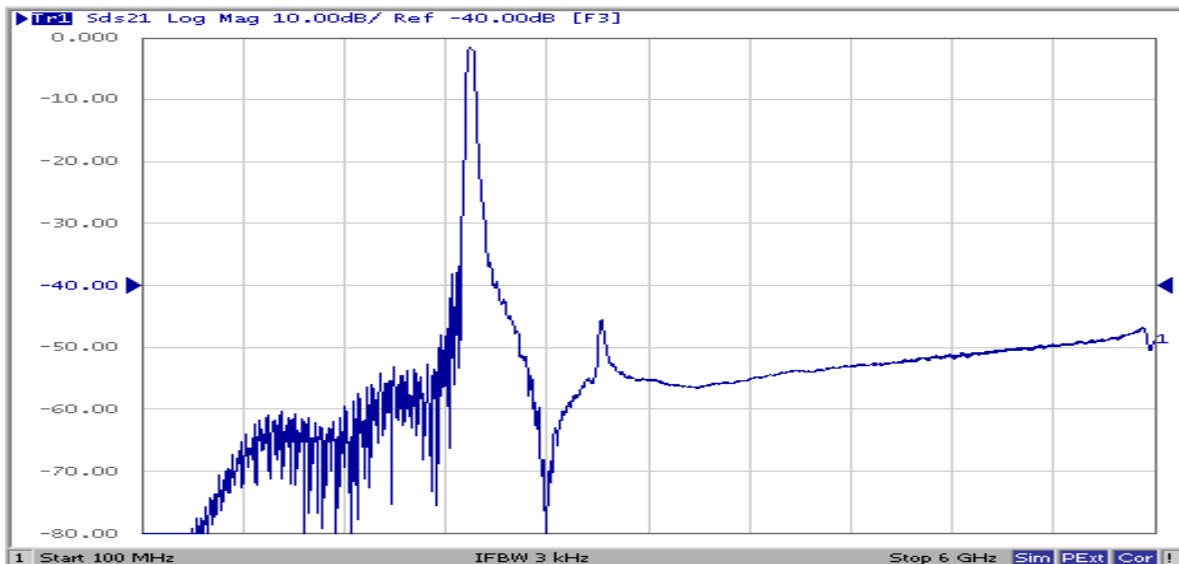
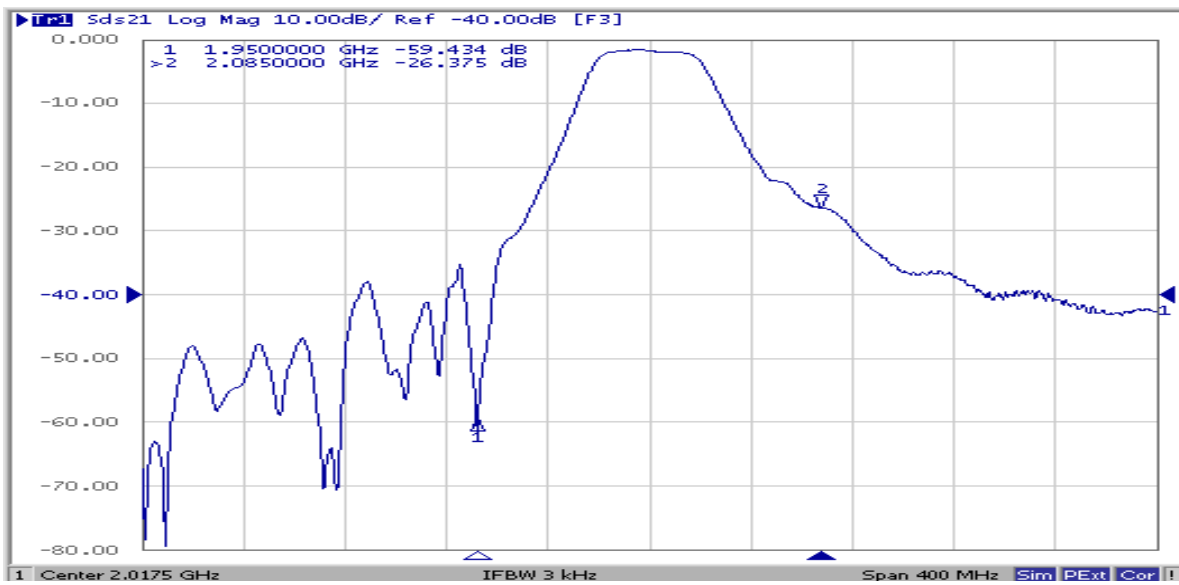
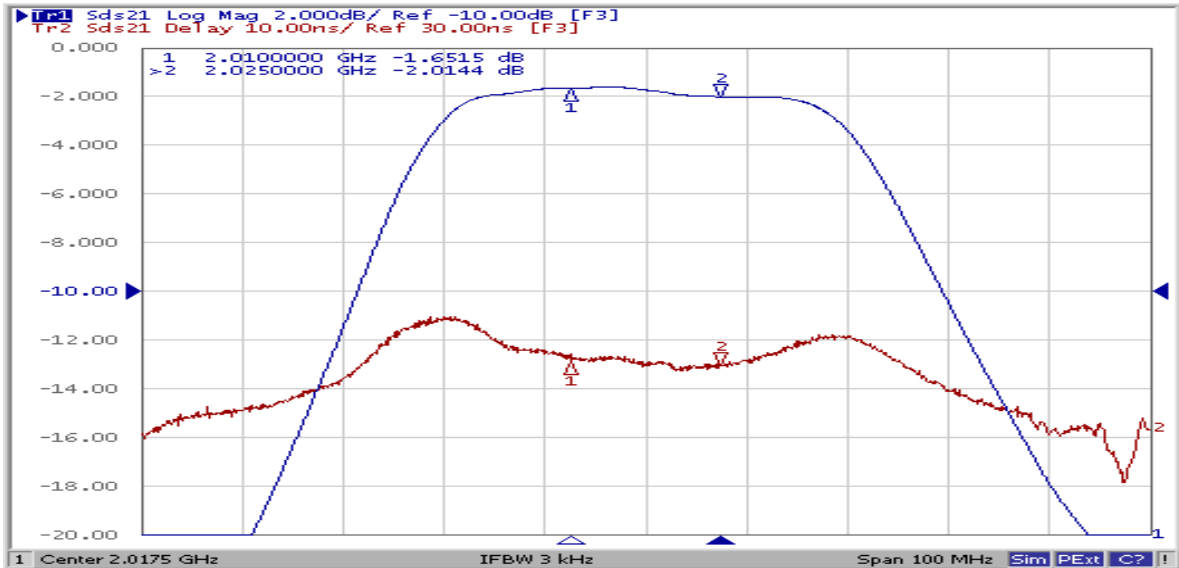
D. MEASUREMENT CIRCUIT:



SAW Filter 2017.50MHz
Part No: MP04469

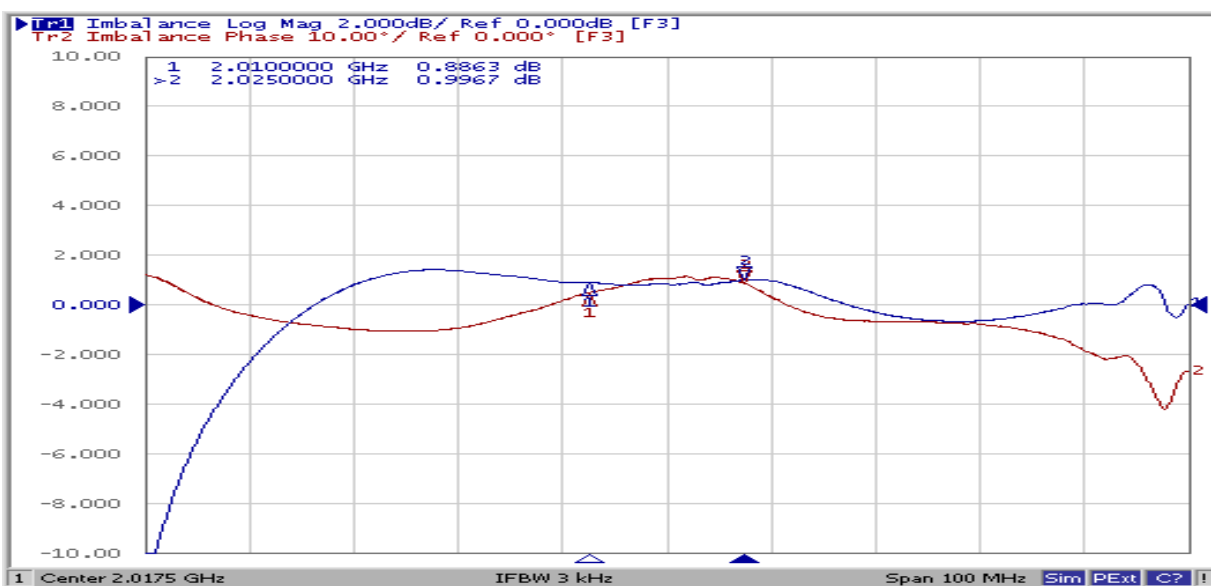
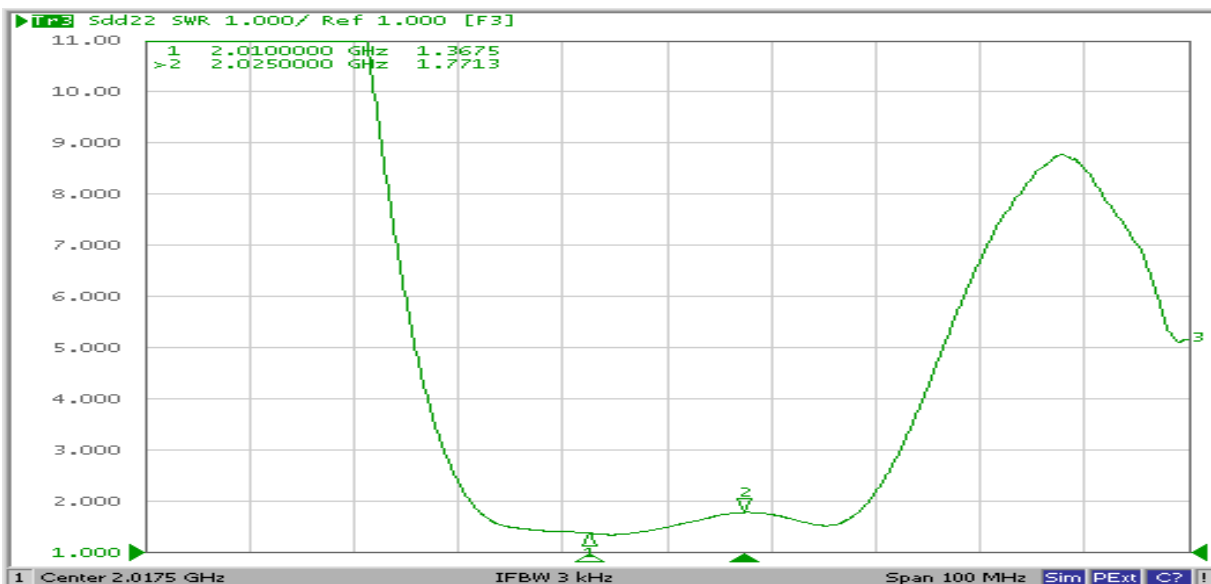
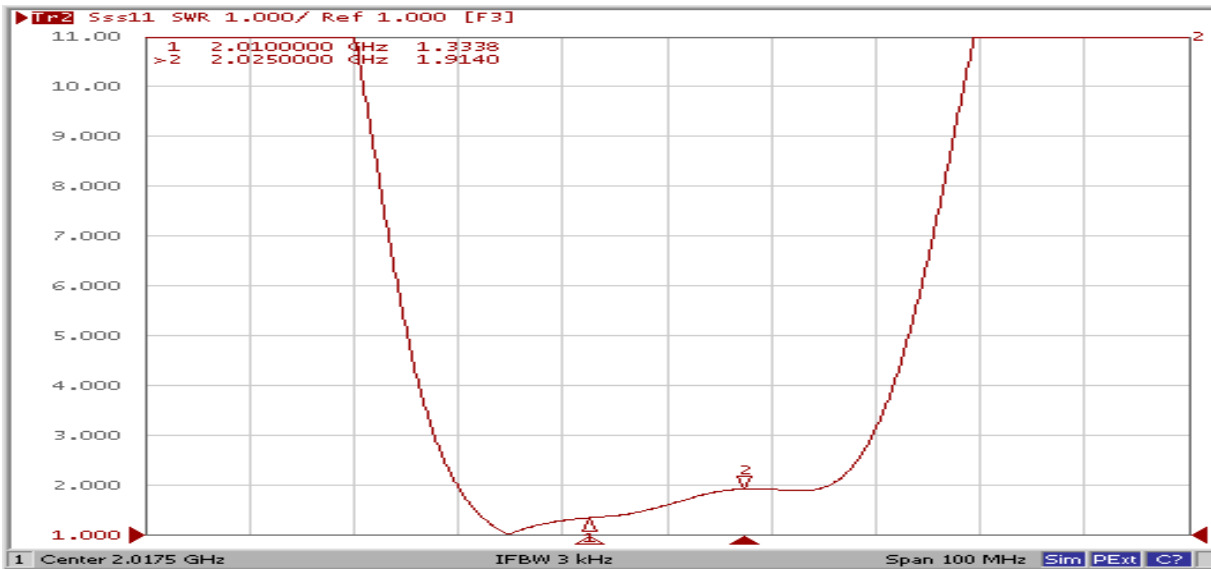
Model: TA1177A
Rev No:1

E. FREQUENCY CHARACTERISTICS:



SAW Filter 2017.50MHz
Part No: MP04469

Model: TA1177A
Rev No:1

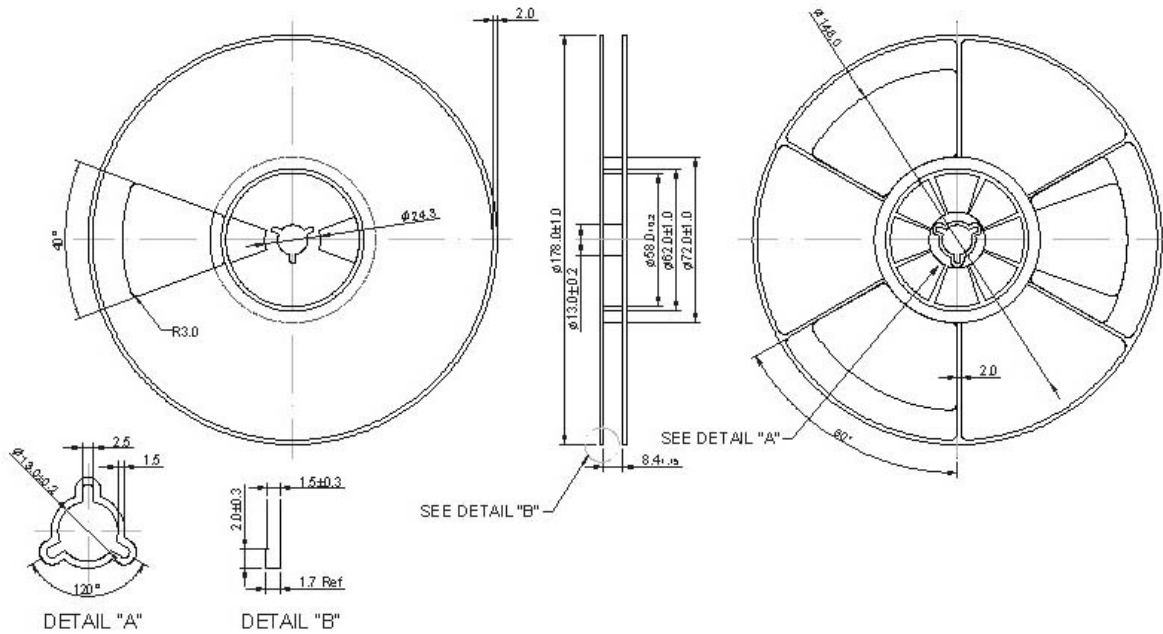


SAW Filter 2017.50MHz
Part No: MP04469

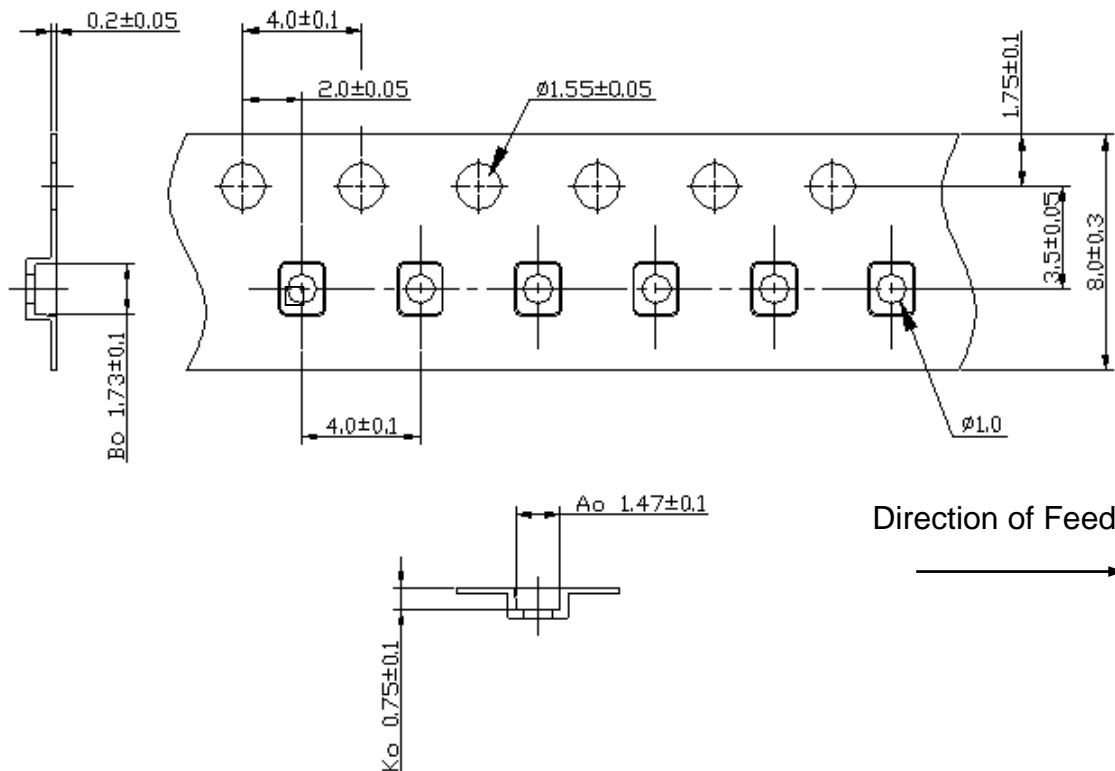
Model: TA1177A
Rev No:1

F. PACKING:

1. Reel Dimension



2. Tape Dimension



SAW Filter 2017.50MHz
Part No: MP04469

Model: TA1177A
Rev No:1

G. RECOMMENDED REFLOW PROFILE:

