

SAW Filter 2549.50MHz
Part No: MP04488

Model: TA1161A
Rev No. 1

A. MAXIMUM RATING:

1. Input Power Level: 10dBm
2. DC Voltage: 3V
3. Operating Temperature: -20°C to +70°C
4. Storage Temperature: -30°C to +85°C

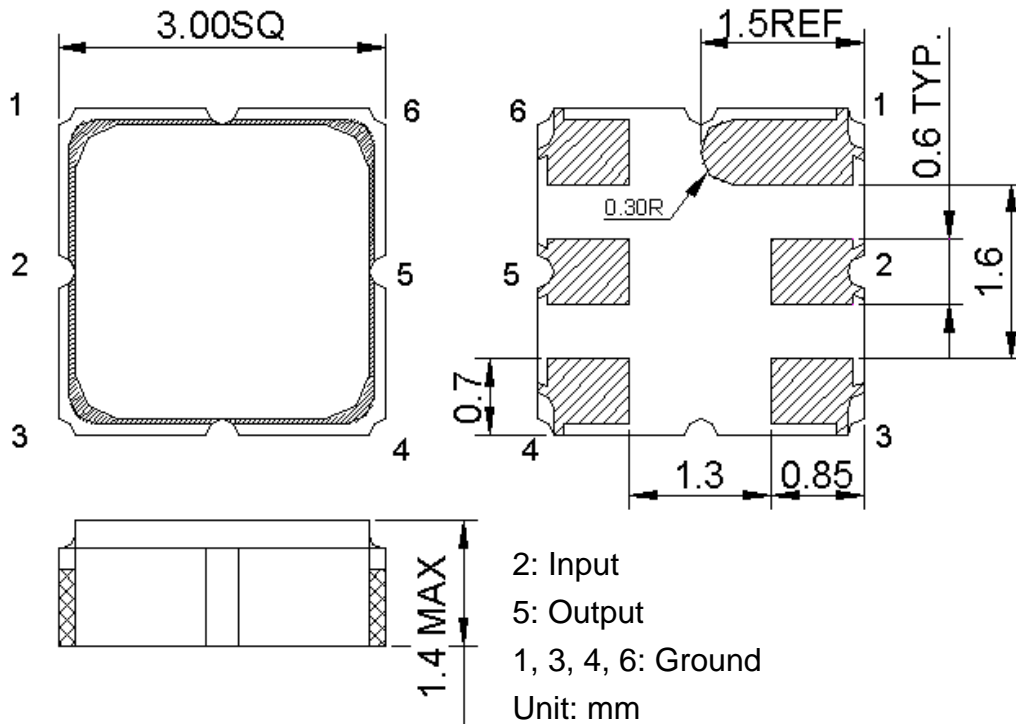
B. ELECTRICAL CHARACTERISTICS:

Item	Unit	Min.	Typ.	Max.	Note
Center Frequency Fc	MHz	-	2549.5	-	-
Insertion Loss (2501 ~ 2598MHz) IL	dB	-	2.8	4	-
Amplitude Ripple (2501 ~ 2598MHz)	dB	-	1.7	2.5	-
VSWR (2501 ~ 2598MHz)		-	2	2.5	-
Attenuation (Reference level from 0dB)					
DC ~ 2400MHz	dB	25	28	-	-
2400 ~ 2445MHz	dB	31	38	-	-
2445 ~ 2460MHz	dB	22	29	-	-
2660 ~ 3800MHz	dB	30	36	-	-
3800 ~ 5000MHz	dB	15	20	-	-
Temperature Coefficient of Frequency	ppm/°C	-	-36	-	-

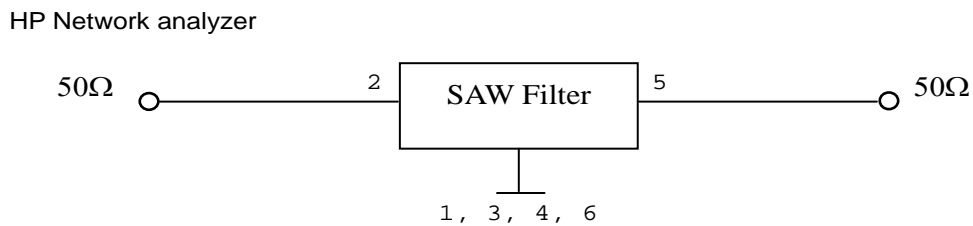
SAW Filter 2549.50MHz
Part No: MP04488

Model: TA1161A
Rev No. 1

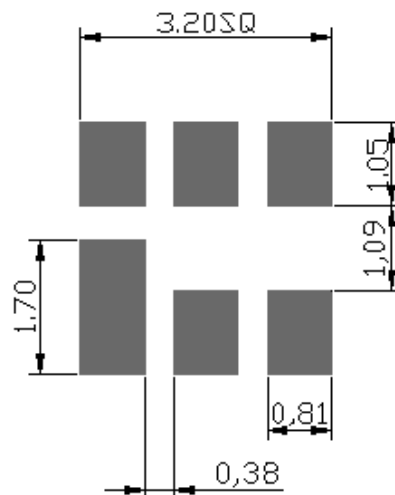
C. OUTLINE DRAWING:



D. MEASUREMENT CIRCUIT:



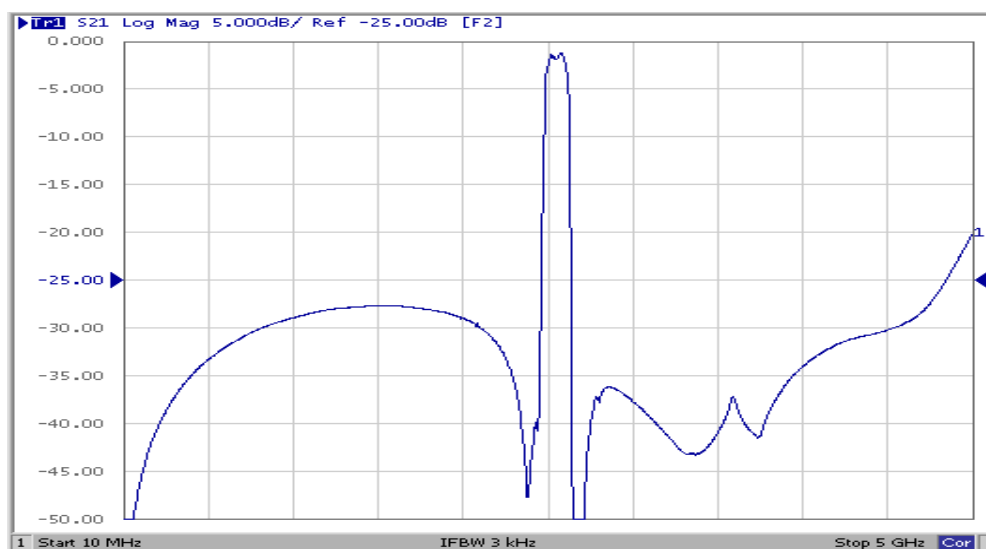
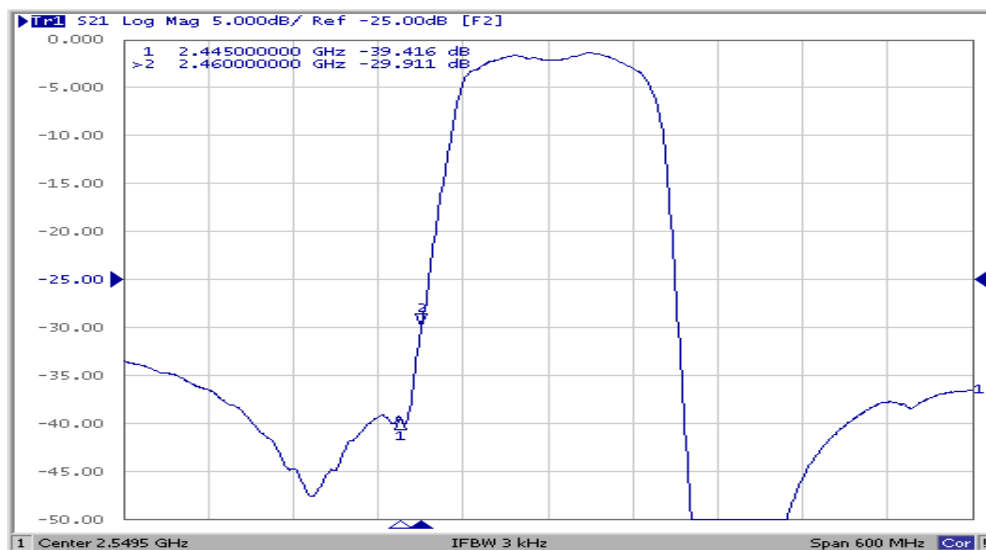
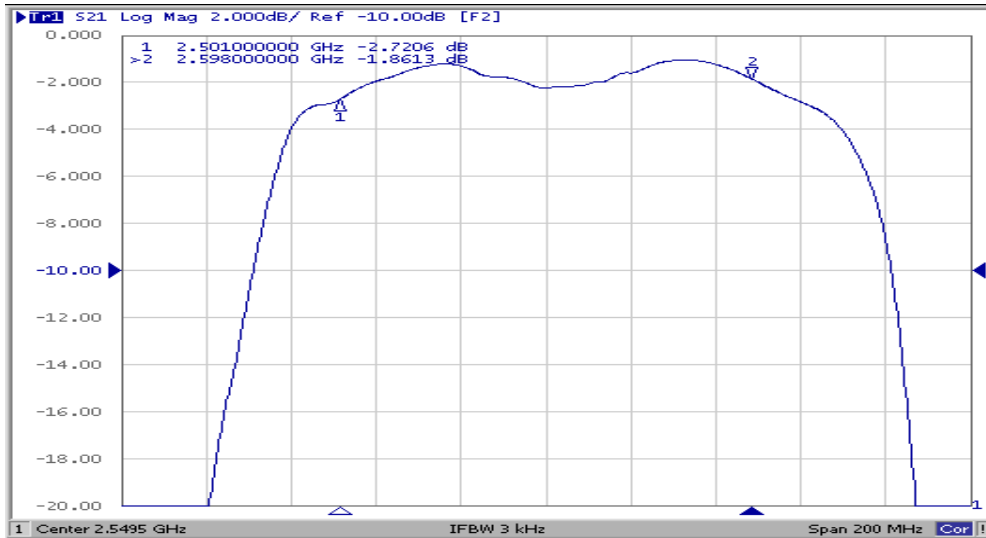
E. PCB FOOTPRINT:



SAW Filter 2549.50MHz
Part No: MP04488

Model: TA1161A
Rev No. 1

F. FREQUENCY CHARACTERISTICS:

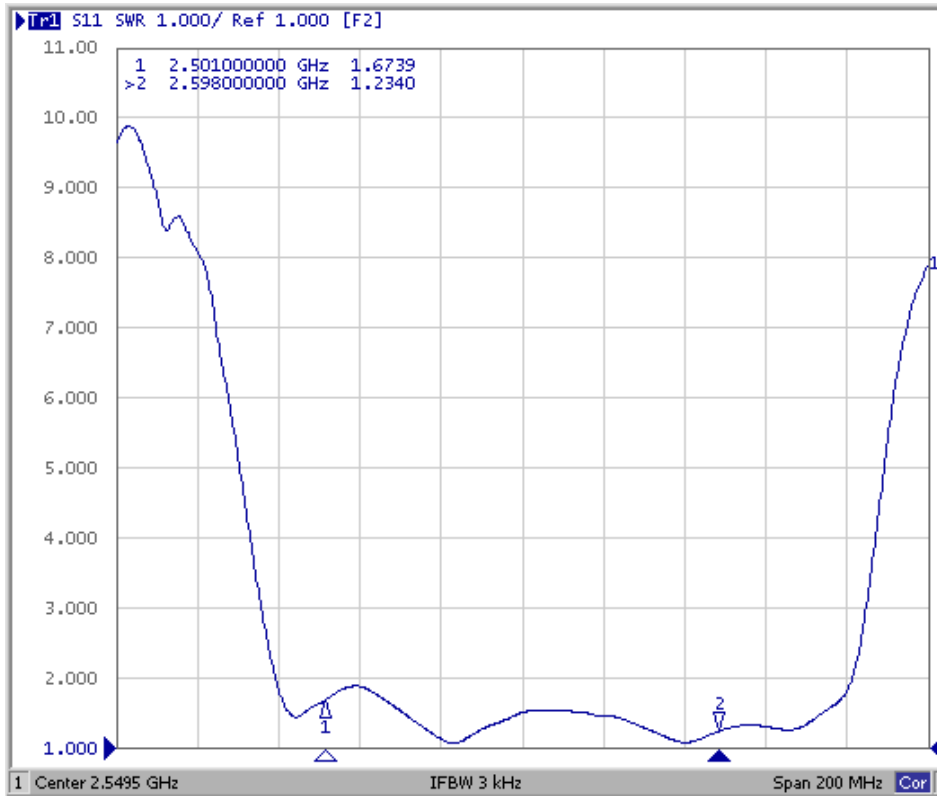


SAW Filter 2549.50MHz
Part No: MP04488

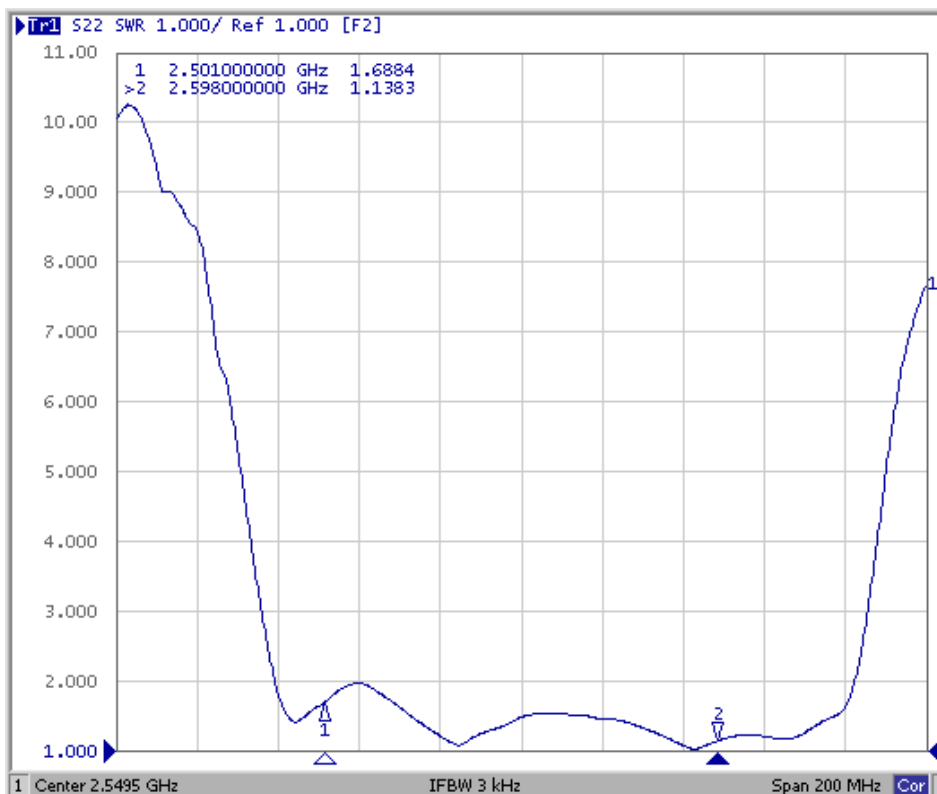
Model: TA1161A
Rev No. 1

Reflection Functions

S11



S22



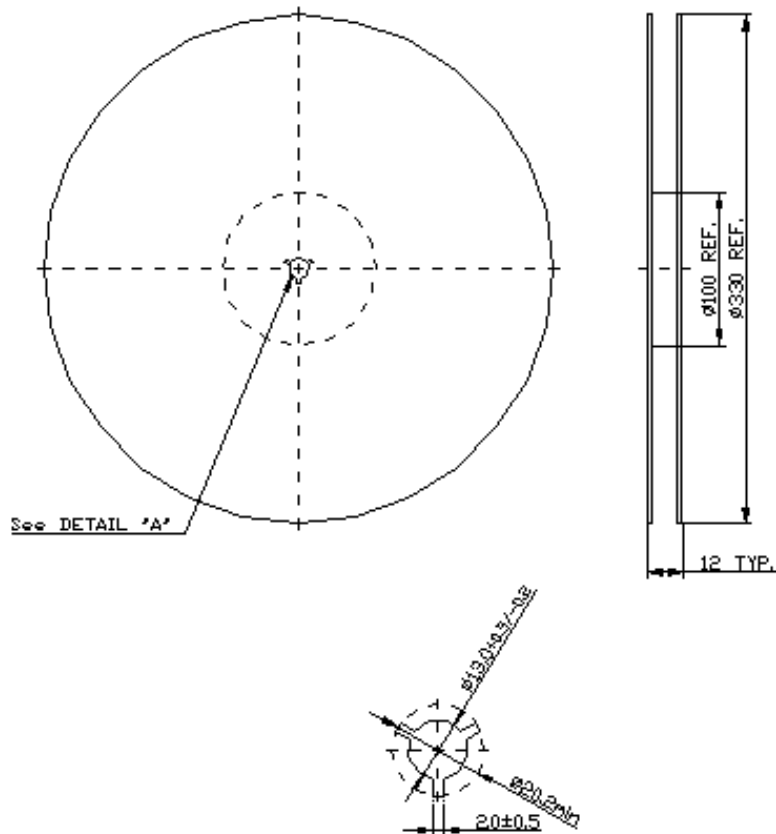
SAW Filter 2549.50MHz
Part No: MP04488

Model: TA1161A
Rev No. 1

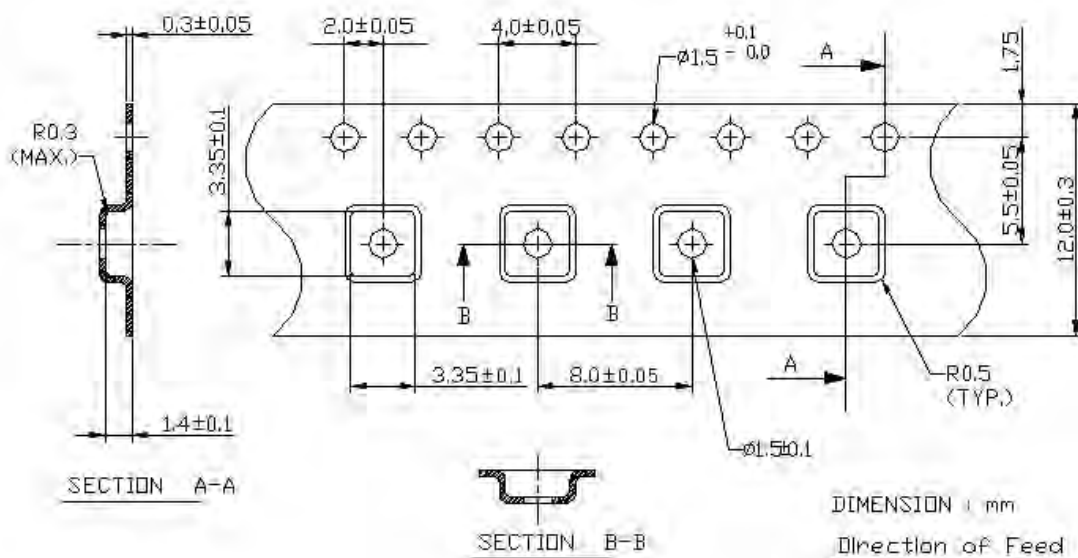
G. PACKING:

1. Reel Dimension

(Reel Count: 7" = 1000; 13" = 3000)



2. Tape Dimension



SAW Filter 2549.50MHz
Part No: MP04488

Model: TA1161A
Rev No. 1

H. RECOMMENDED REFLOW PROFILE:

