

SAW Filter 915.0MHz

Model: TA1392A

Part No: MP04574

Rev No. 1

A. MAXIMUM RATING:

Electrostatic Sensitive Device

1. Input Power Level: 10dBm
2. DC Voltage: 6V
3. Operating Temperature: -40°C to +85°C
4. Storage Temperature: -40°C to +85°C

B. ELECTRICAL CHARACTERISTICS:

Item	Unit	Min.	Typ.	Max.
Center frequency Fc	MHz	-	915	-
3dB BW	MHz	-	2.0	-
Minimum insertion loss IL (min)				
Exclude loss in matching elements *1)	dB	-	2.7	4.0
Incl. loss of matching elements (Q=89) *2)	dB	-	3.9	5.0
Passband (relative to IL min) *1)				
914.50 ~ 915.50MHz	dB	-	0.4	2.5
914.30 ~ 915.70MHz	dB	-	1.0	5.0
Attenuation (relative to IL min) *1)				
10.000 ~ 830.00MHz	dB	47	53	-
830.00 ~ 890.00MHz	dB	41	46	-
890.00 ~ 903.00MHz	dB	36	42	-
903.00 ~ 911.50MHz	dB	19	28	-
920.00 ~ 923.00MHz	dB	19	28	-
923.00 ~ 943.00MHz	dB	19	24	-
943.00 ~ 1000.00MHz	dB	37	43	-
1000.0 ~ 2500.00MHz	dB	43	48	-
Impedance at Fc Input *1) $Z_{IN} = R_{IN} // C_{IN} Z_S$	354Ω // 1.88pF			
Impedance at Fc Output *1) $Z_{OUT} = R_{OUT} // C_{OUT} Z_L$	334Ω // 1.93pF			

*1): The matching circuit is ideal by simulation.

*2): The matching circuit is real by actual passive components.

0805 Coillcraft CS series chip conductor is used for inductor.

0402 muRata GRM series is used for capacitor.

SAW Filter 915.0MHz
Part No: MP04574

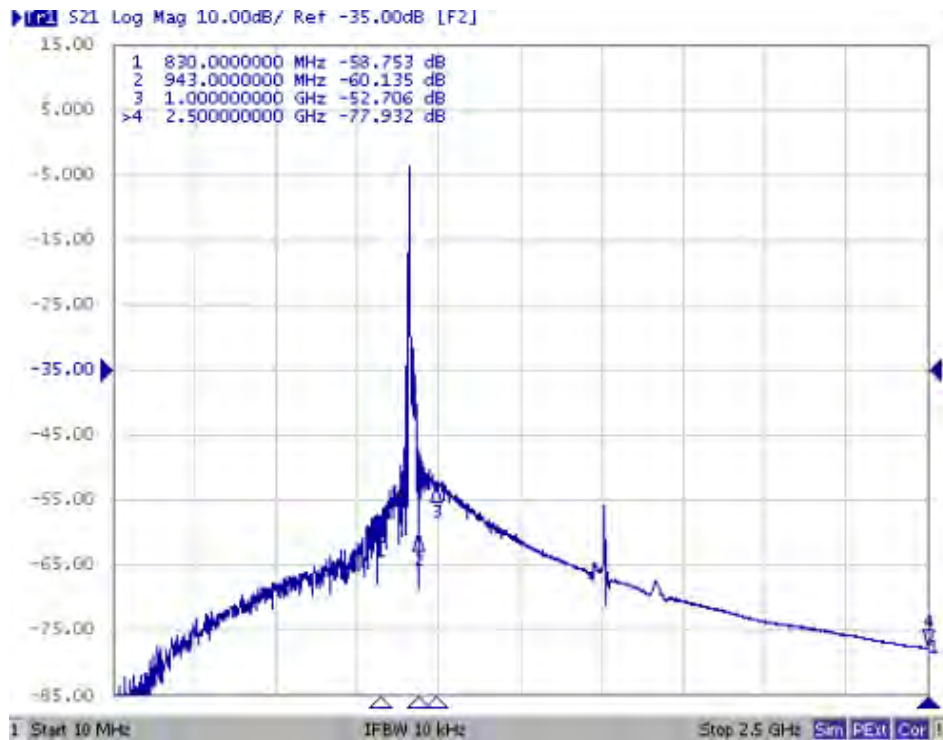
Model: TA1392A
Rev No. 1

C. FREQUENCY CHARACTERISTICS:



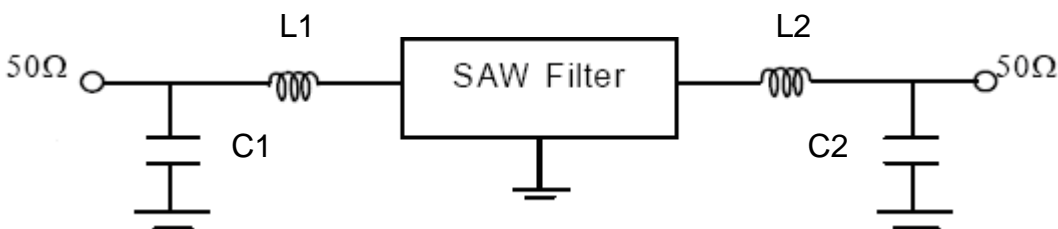
SAW Filter 915.0MHz
Part No: MP04574

Model: TA1392A
Rev No. 1



D. MEASUREMENT CIRCUIT:

The matching circuit is ideal by simulation

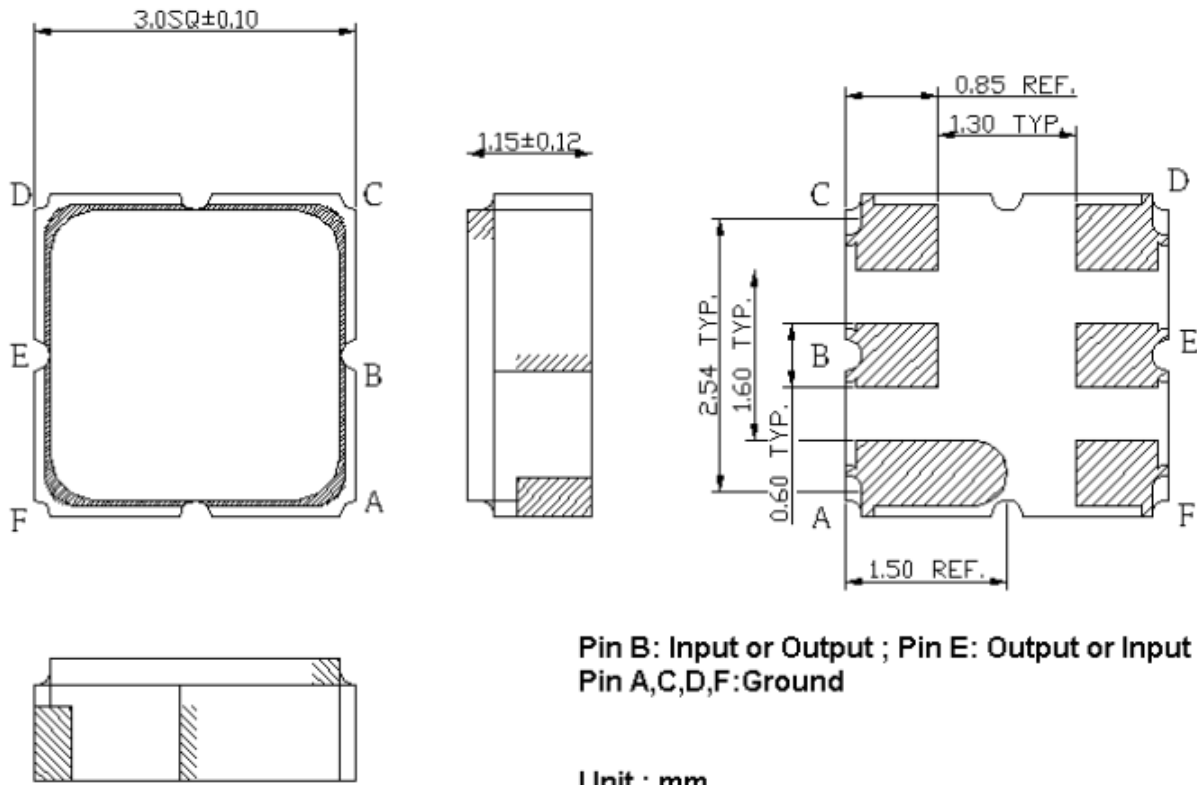


L1: 34nH, L2: 33nH (Ideal value), C1: 1.6pF, C2: 1.6pF (Ideal value)

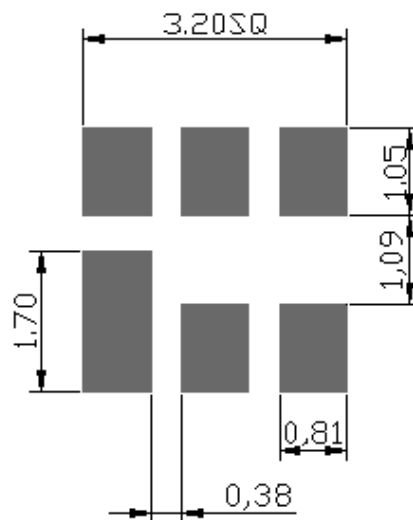
SAW Filter 915.0MHz
Part No: MP04574

Model: TA1392A
Rev No. 1

E. OUTLINE DRAWING:



F. PCB FOOTPRINT:

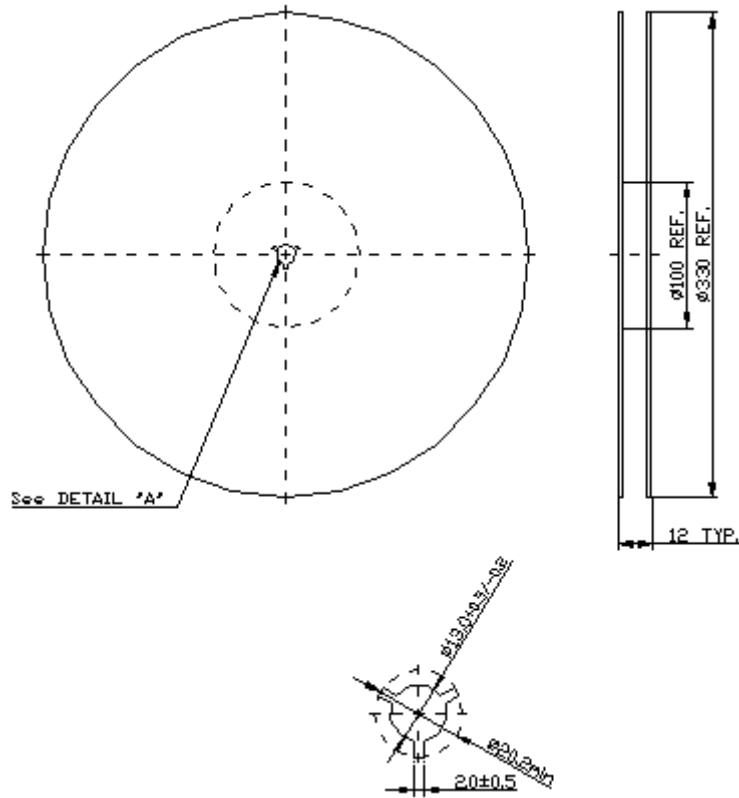


SAW Filter 915.0MHz
Part No: MP04574

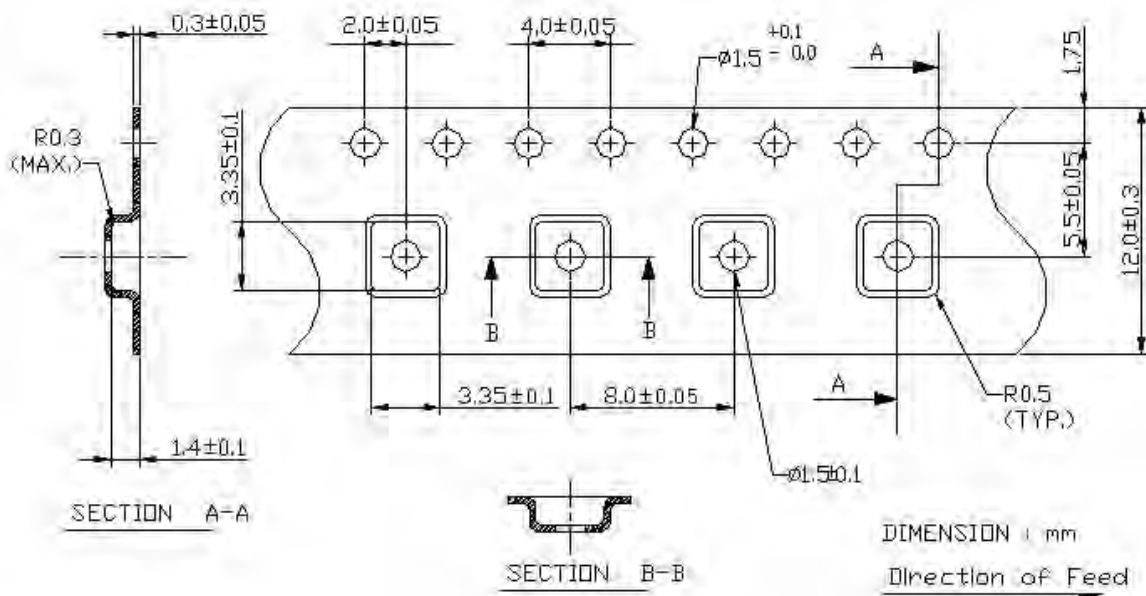
Model: TA1392A
Rev No. 1

G. PACKING:

1. Reel Dimension



2. Tape Dimension



SAW Filter 915.0MHz
Part No: MP04574

Model: TA1392A
Rev No. 1

H. RECOMMENDED REFLOW PROFILE:

