

**SAW Filter 433.816MHz**  
**Part No: MP04602**

**Model: TC0330A**  
**Rev No: 3**

**A. FEATURES:**

1 - Port Resonator

**B. MAXIMUM RATING:**

1. Input Power Level: 0dBm
2. DC voltage: 12V
3. Operating Temperature: -40°C to +85°C
4. Storage Temperature: -40°C to +85°C

**C. ELECTRICAL CHARACTERISTICS:**

Reference Temperature TA = 25°C

Characteristic	Units	Min.	Typ.	Max.
Center frequency Fc	MHz	433.741	433.816	433.891
Insertion Loss IL	dB	-	0.9	2.0
Unload quality factor QU		6000	8000	-
Ageing of FC	ppm/yr	-	-	±10
Motional capacitance C1	fF	-	3.50	-
Motional inductance L1	µH	-	38.4	-
Motional resistance R1	Ohm	-	12.59	-
Parallel capacitance Co	pF	-	4.72	-
Frequency Temperature coefficient (TCf)	ppm/c*2	-	0.032	-
Turnover To	deg. C	-	25	-
Package size	SMD 3 X 3 X 1.1mm			

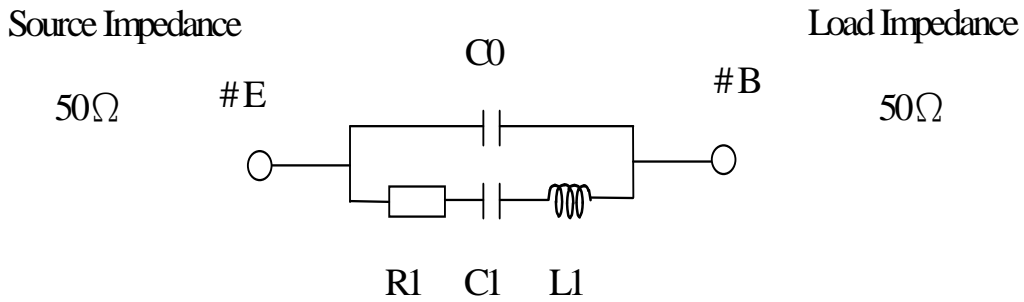
Temperature dependence of Fc:  $F_c(T_A) = F_c(T_O) (1 + TC_f(T_A - T_O)^2)$

**SAW Filter 433.816MHz**  
**Part No: MP04602**

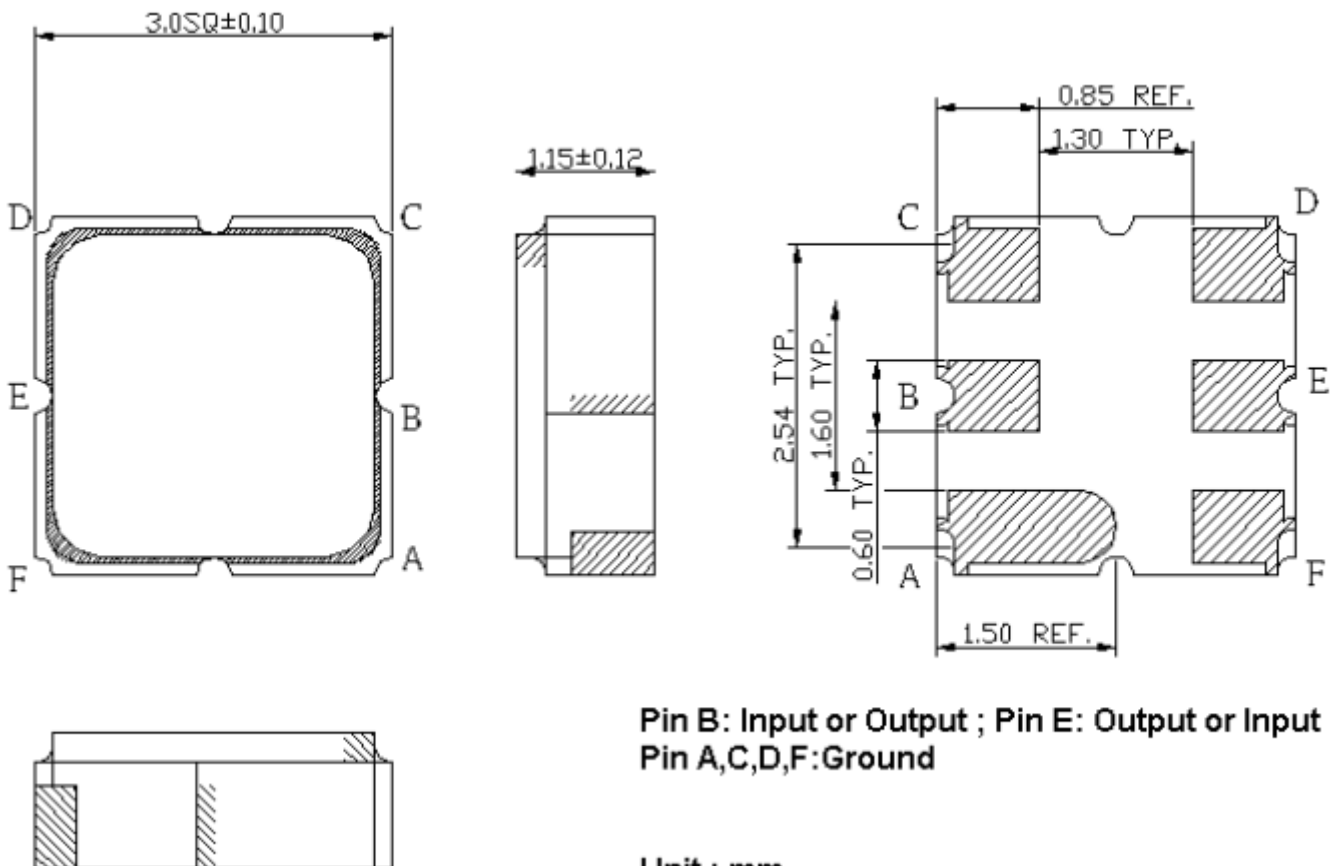
**Model: TC0330A**  
**Rev No: 3**

**D. EQUIVRENT CIRCUIT:**

1 - Port Resonator:



**E. OUTLINE DRAWING:**



---

**SAW Filter 433.816MHz**  
**Part No: MP04602**

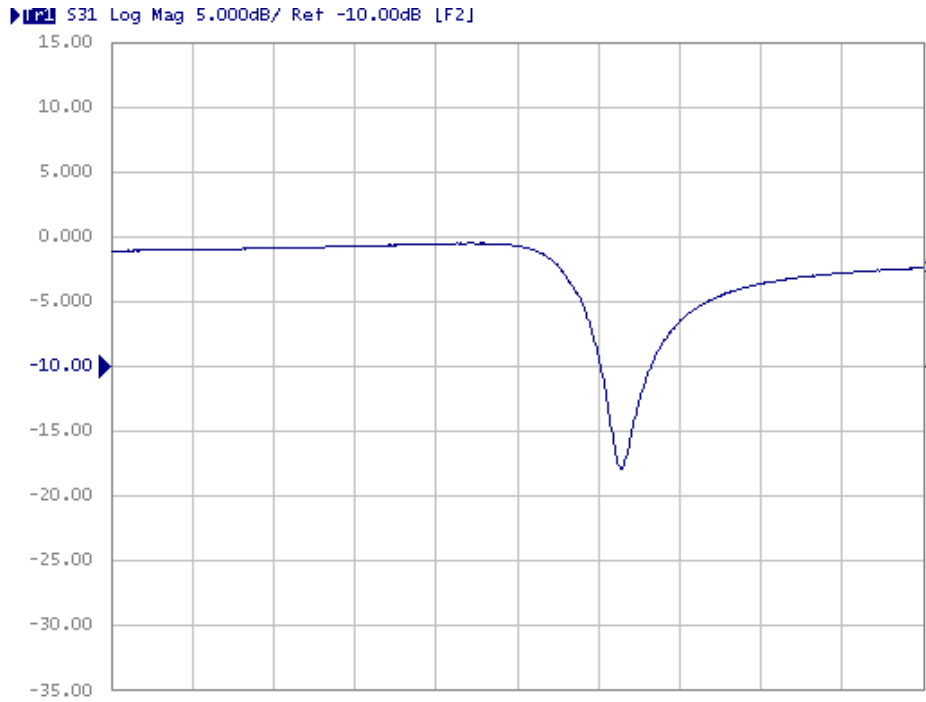
---

---

**Model: TC0330A**  
**Rev No: 3**

---

**F.FREQUENCY CHARACTERISTICS:**



Center Frequency 433.816MHz Span 2MHz

---

**SAW Filter 433.816MHz**  
**Part No: MP04602**

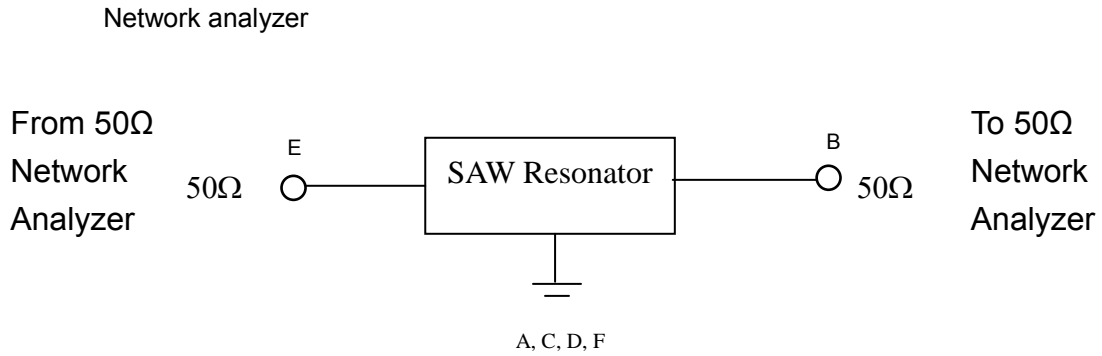
---

---

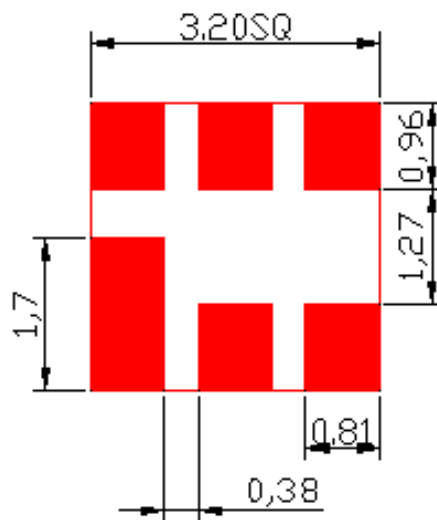
**Model: TC0330A**  
**Rev No: 3**

---

**G. TEST CIRCUIT:**



**H. PCB FOOT PRINT:**

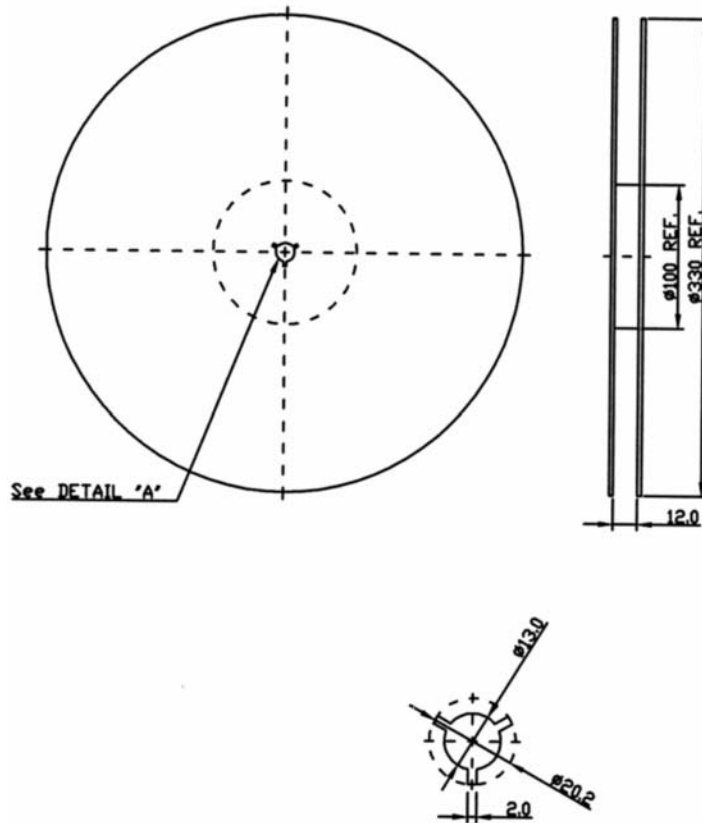


**SAW Filter 433.816MHz**  
**Part No: MP04602**

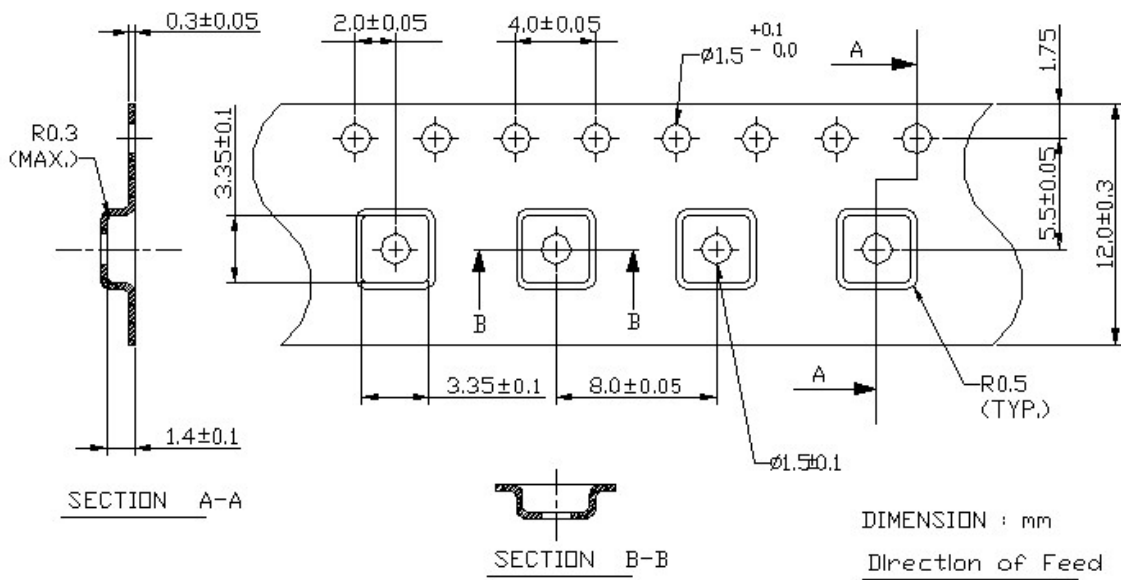
**Model: TC0330A**  
**Rev No: 3**

**I. PACKING:**

1. Reel Dimension



2. Tape Dimension



---

**SAW Filter 433.816MHz**  
**Part No: MP04602**

---

**Model: TC0330A**  
**Rev No: 3**

---

**J. RECOMMENDED REFLOW PROFILE:**

