

SAW Filter 291.40MHz
Part No: MP04682

Model: TA1467A
Rev No: 1

A. MAXIMUM RATING:

Electrostatic Sensitive Device (ESD)

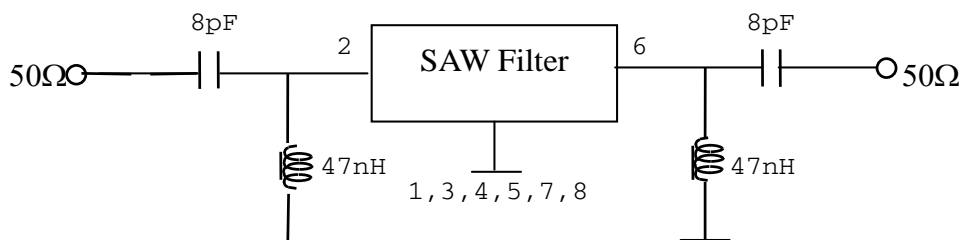
1. Input Power Level: 5dBm
2. DC voltage: 3V
3. Operating Temperature: -10°C to +50°C
4. Storage Temperature: -40°C to +85°C

B. ELECTRICAL CHARACTERISTICS:

Item	Unit	Min.	Typ.	Max.
Center frequency Fc	MHz	-	291.4	-
Insertion Loss (Fc ± 3.5MHz) IL	dB	-	3	4.5
Amplitude Ripple (Fc ± 3.5MHz)	dB	-	0.85	2.0
Attenuation (Reference level from 0dB)				
Fc -100 to -37.5MHz	dB	40	55	-
Fc +37.5 to +100MHz	dB	40	65	-

C. MEASUREMENT CIRCUIT:

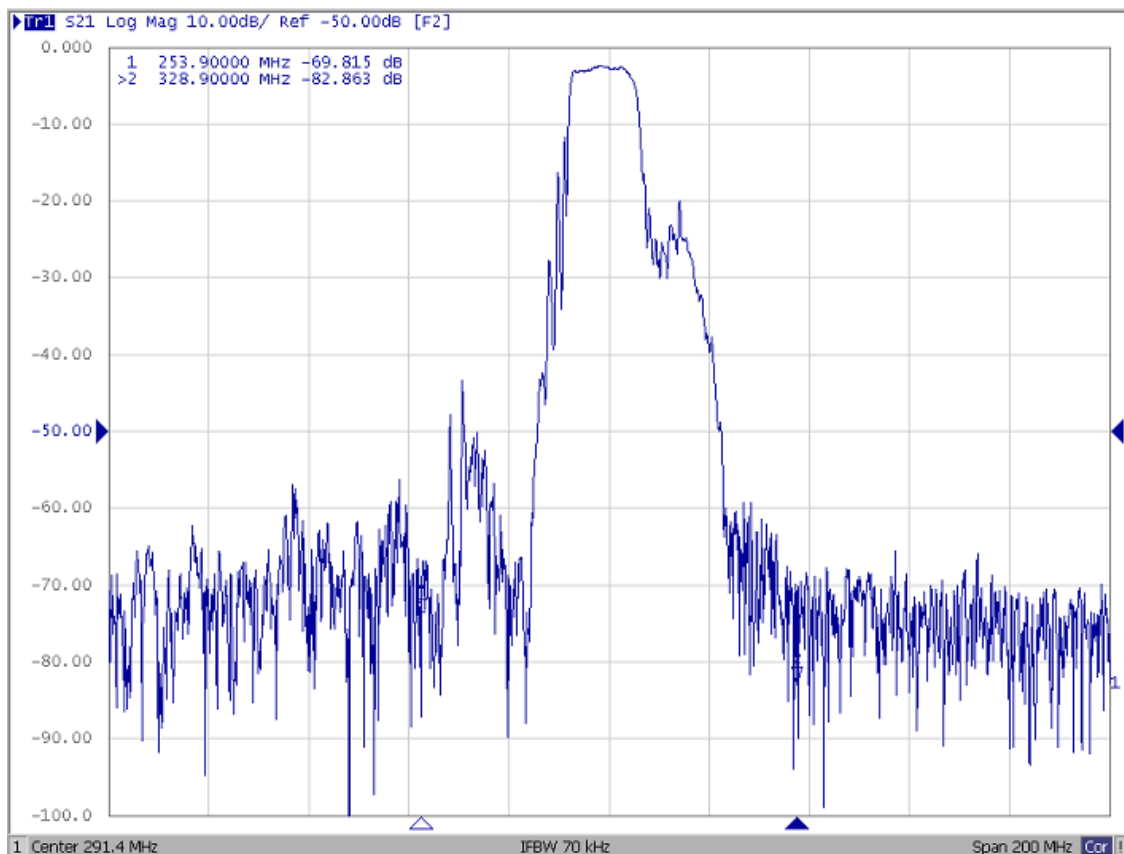
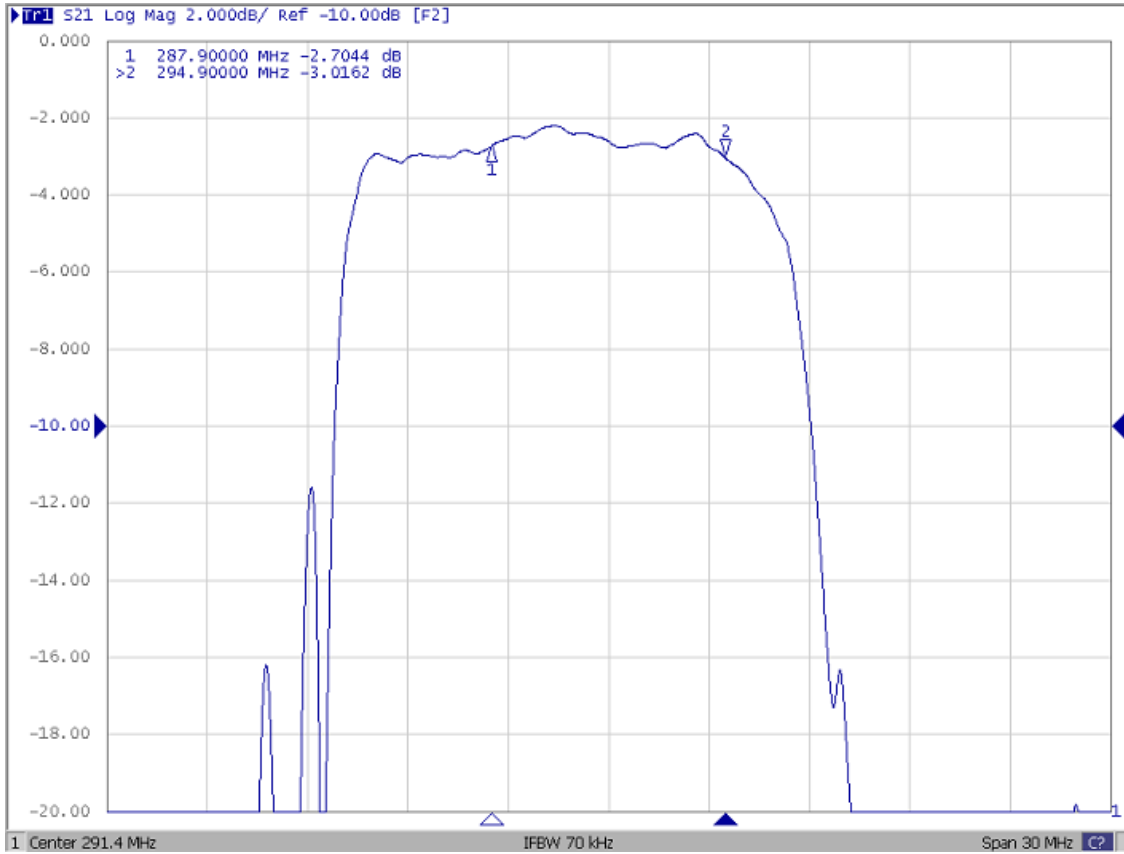
Network analyzer



SAW Filter 291.40MHz
Part No: MP04682

Model: TA1467A
Rev No: 1

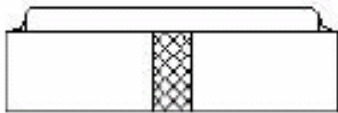
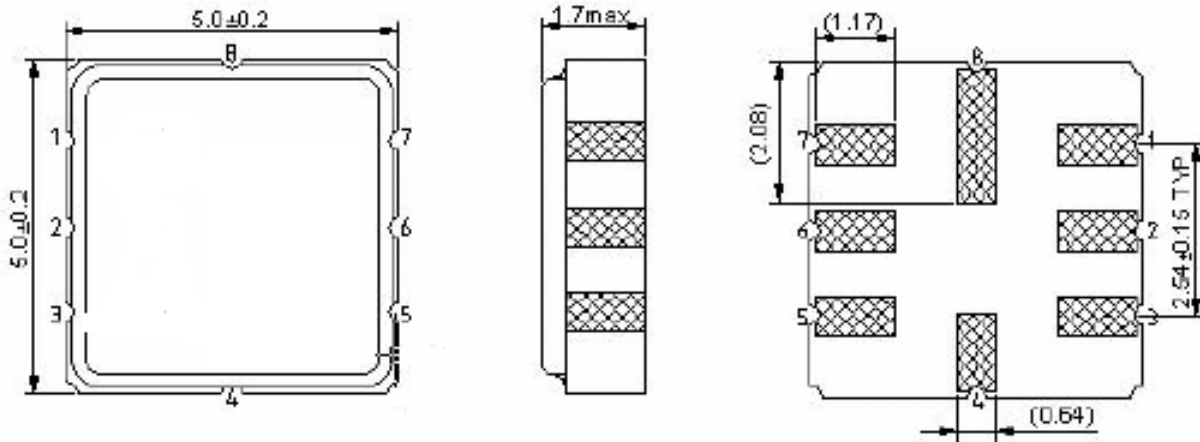
D. FREQUENCY CHARACTERISTICS:



SAW Filter 291.40MHz
Part No: MP04682

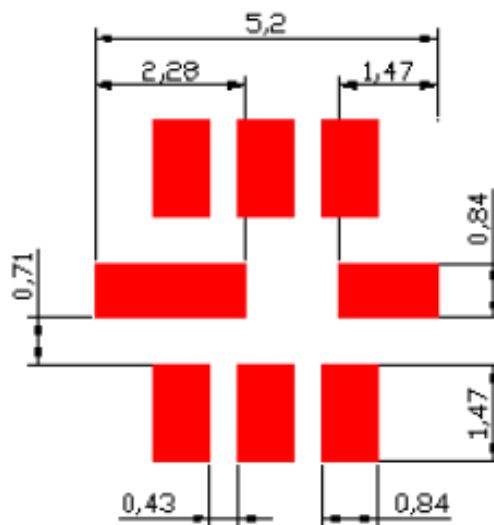
Model: TA1467A
Rev No: 1

E. MEASUREMENT CIRCUIT:



#2: Input
 #6: Output
 #1,3,4,5,7,8: Ground
 Unit: mm

F. OUTLINE DRAWING:

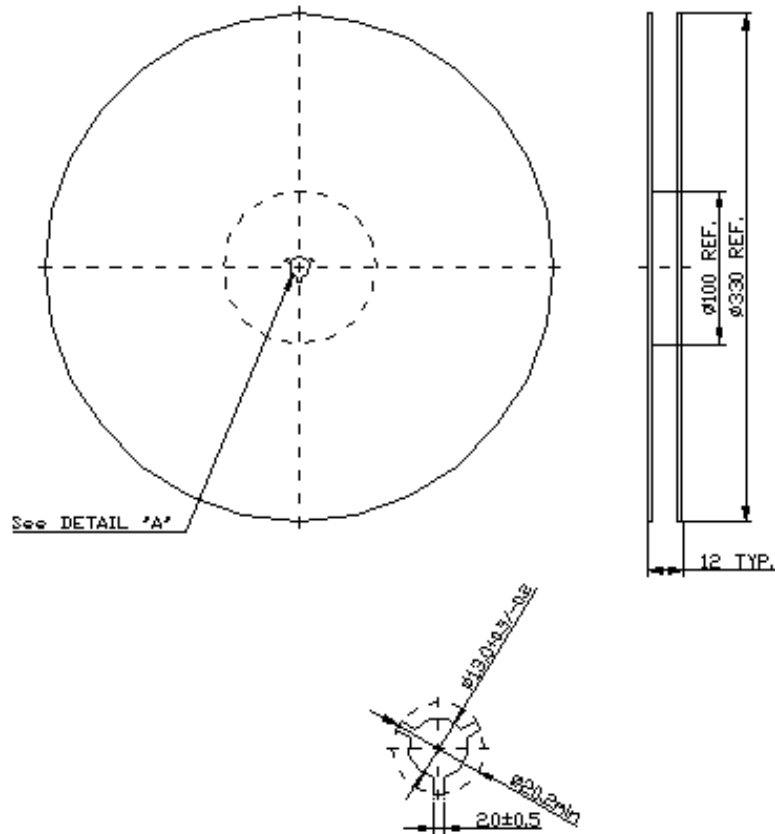


SAW Filter 291.40MHz
Part No: MP04682

Model: TA1467A
Rev No: 1

G. PACKING:

1. Reel Dimension



2. Tape Dimension

