

SAW Filter 152.0MHz
Part No: MP04685

Model: TB0993A
Rev No: 1

A. MAXIMUM RATING:

Electrostatic Sensitive Device

1. Operating temperature range: -55°C to 125°C
2. Storage temperature range: -55°C to 125°C
3. Input Power Level: 10 dBm
4. Maximum DC Voltage: 10V

B. CHARACTERISTICS:

Ambient Temperature: 25°C

Item	Unit	Min.	Typ.	Max.
Center frequency Fc	MHz	-	152	-
Insertion Loss IL	dB	-	14.5	15.5
1dB Band Width	MHz	34	36	
40dB Band Width	MHz		46	48
Amplitude Ripple Fc ± 16MHz	dB	-	0.6	1.0
Temperature Coefficient	ppm/°C	-	-94	-
Source Impedance	Ohm	-	200	-
Load Impedance	Ohm	-	200	-

SAW Filter 152.0MHz
Part No: MP04685

Model: TB0993A
Rev No: 1

C. FREQUENCY CHARACTERISTICS:

1. Wide band Response: (span 250MHz)

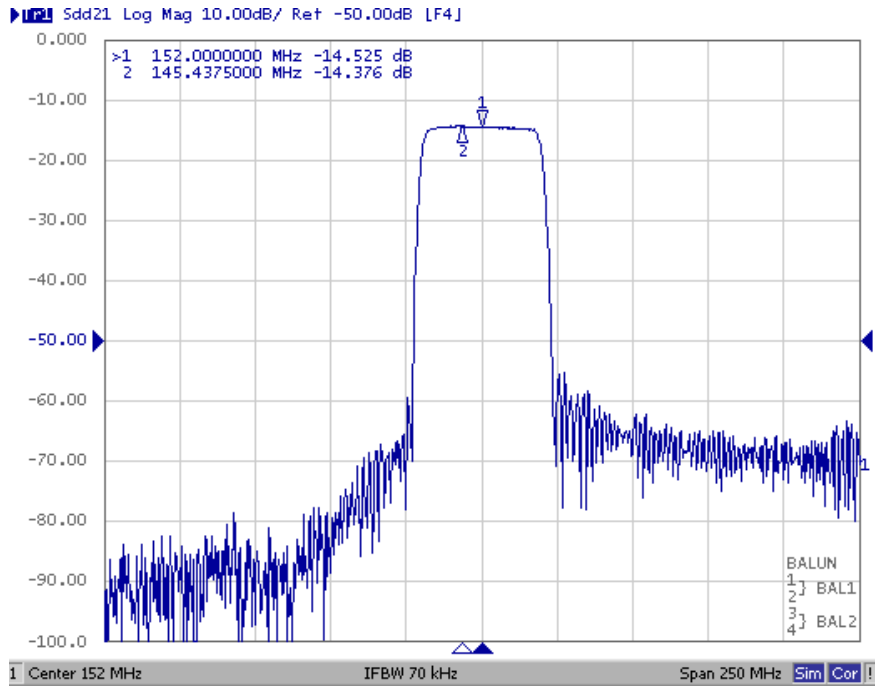


Fig. 1: Horizontal: 25MHz / Div, Vertical: 10Db / Div

2. Pass band Response and Group Time Delay response:

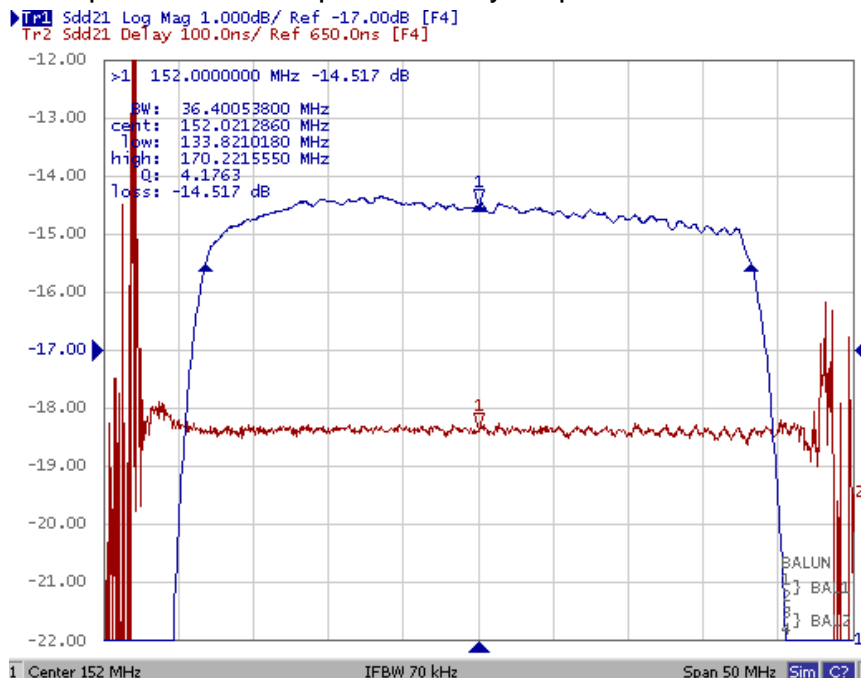
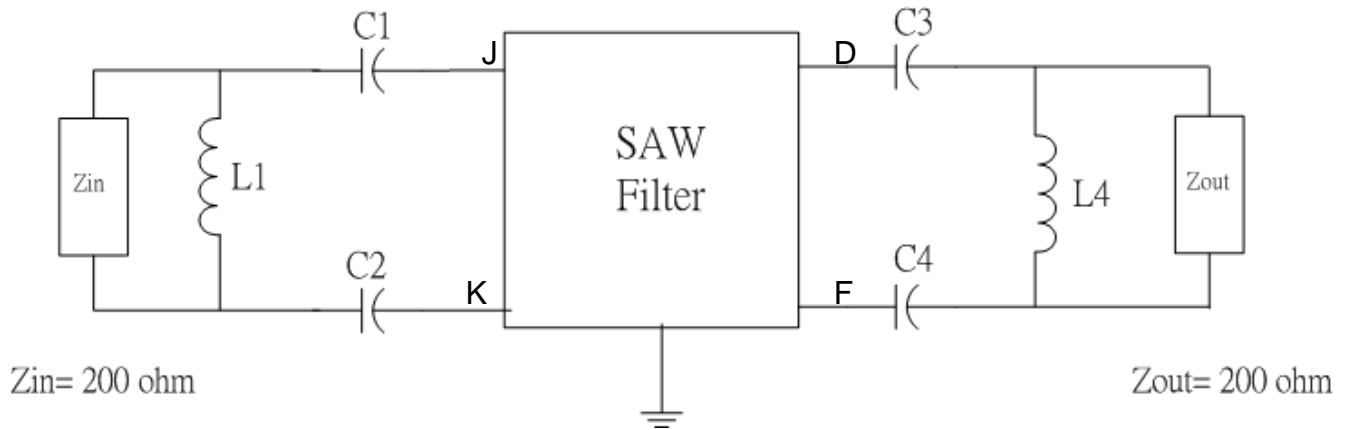


Fig. 2: Horizontal: 5MHz / Div, Vertical: 1dB / Div, Vertical: 100ns / Div

SAW Filter 152.0MHz
Part No: MP04685

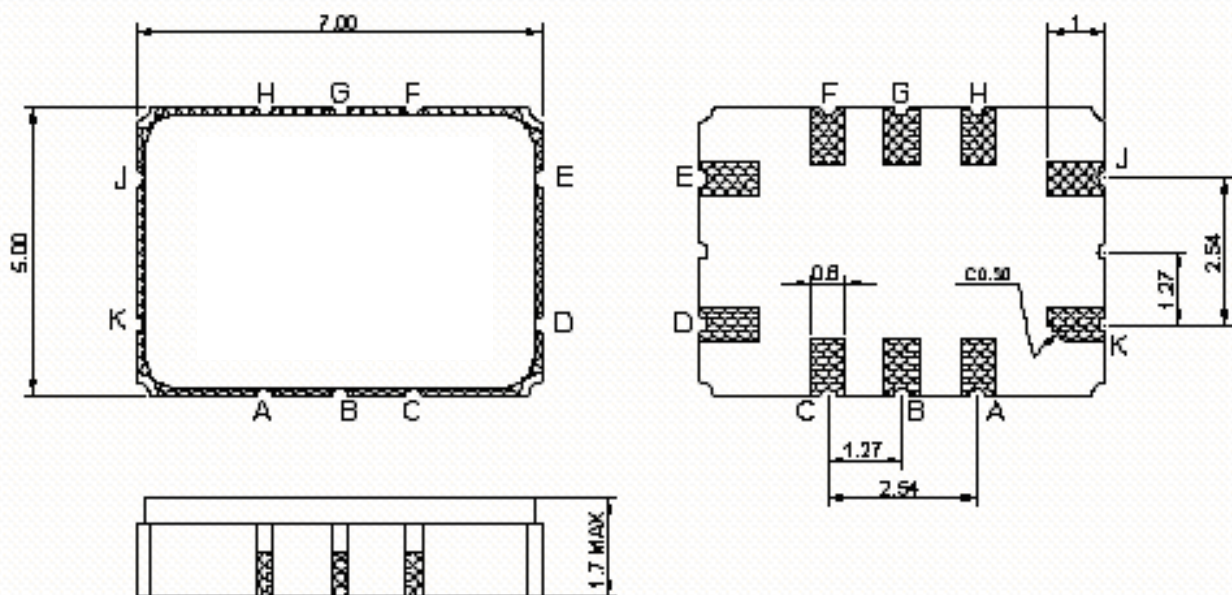
Model: TB0993A
Rev No: 1

D. MATCHING CIRCUIT:



$$C1 = C2 = 56\text{pF} \quad C3 = C4 = 33\text{pF} \quad L1 = 68\text{nH} \quad L2 = 82\text{nH}$$

E. OUTLINE DRAWING:

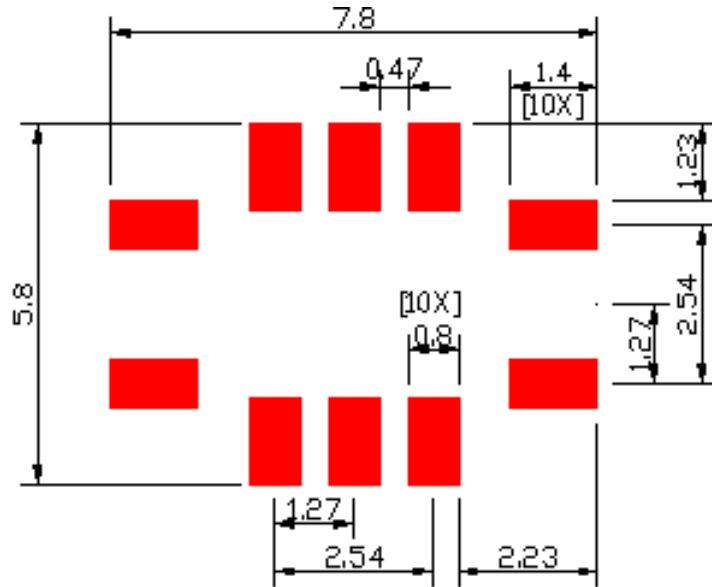


- J: RF input
 - K: RF balance input or to be ground
 - D: RF output
 - E: RF balance output or to be ground
 - A, B, C, F, G, H: Ground
- Unit: mm

SAW Filter 152.0MHz
Part No: MP04685

Model: TB0993A
Rev No: 1

F. PCB FOOTPRINT:



SAW Filter 152.0MHz
Part No: MP04685

Model: TB0993A
Rev No: 1

H. RECOMMENDED REFLOW PROFILE:

