

SAW Filter 426.440MHz

Model: TA1216A

Part No: MP04691

Rev No: 1

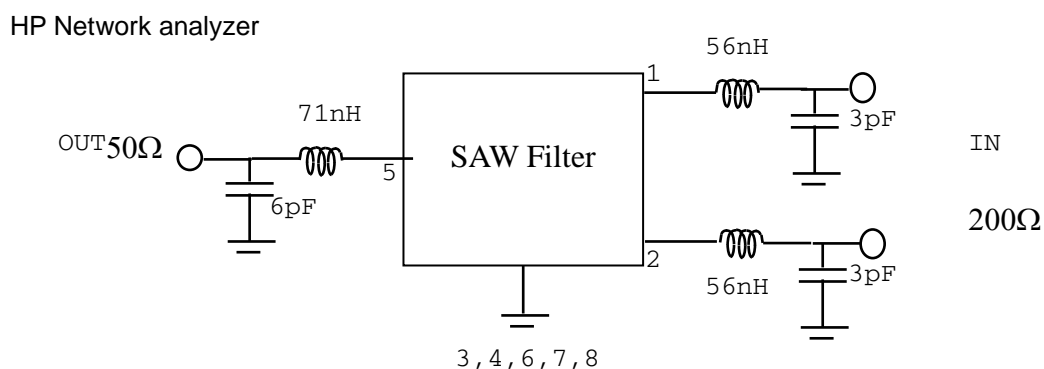
A. MAXIMUM RATING:

1. Input Power Level: 20dBm
2. DC Voltage: 10V
3. Operating Temperature: -20°C to +70°C
4. Storage Temperature: -30°C to +85°C

B. ELECTRICAL CHARACTERISTICS:

Characteristic	Unit	Min.	Typ.	Max.
Center frequency Fc	MHz	-	426.44	-
Minimum Insertion Loss IL	dB	-	2.0	3
Amplitude Ripple (426.22 ~ 426.66MHz)	dB	-	0.35	1
Bandwidth@ -3dB	MHz	1.0	1.03	-
Rejection Referenced to 0dB				
404.64 ~ 405.44MHz	dB	50	53.0	-
405.44 ~ 421.44MHz	dB	30	36.0	-
436.44 ~ 447.84MHz	dB	32	41.0	-
470.00 ~ 770.00MHz	dB	50	61.0	-
800.00 ~ 2010.0MHz	dB	40	69.0	-
Balanced Source Impedance	ohm	-	200	-
Load Impedance	ohm	-	50	-
Package size	SMD 3.8 X 3.8 X 1.7mm			

C. MEASUREMENT CIRCUIT:

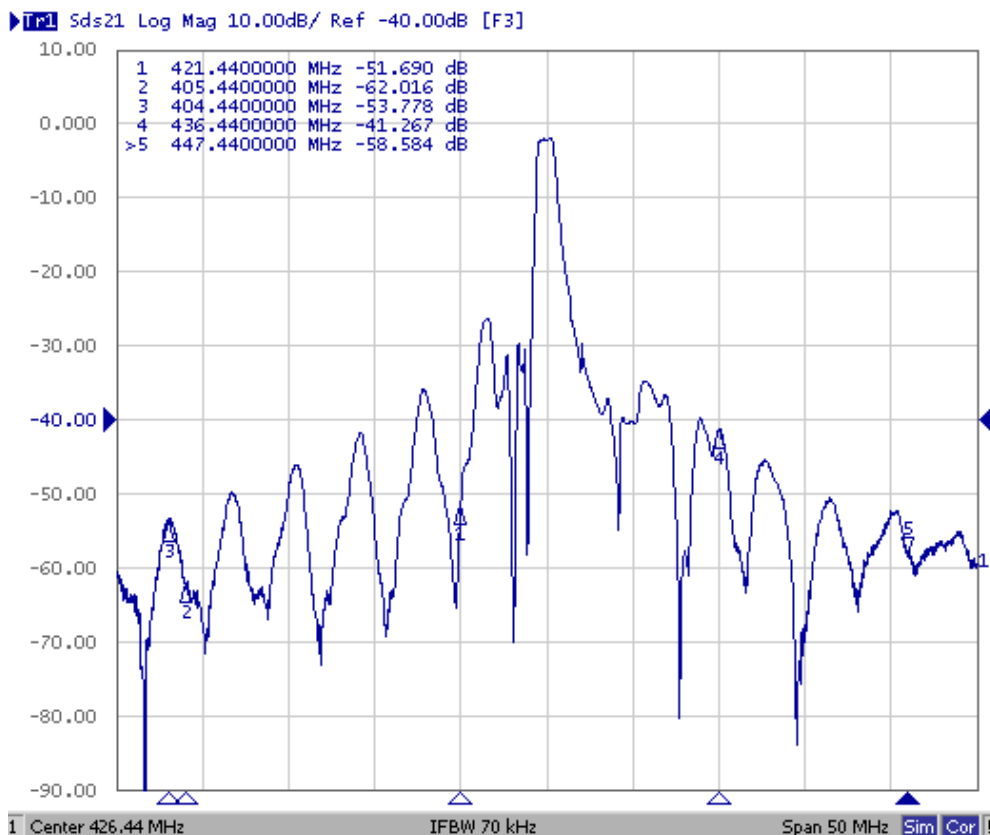
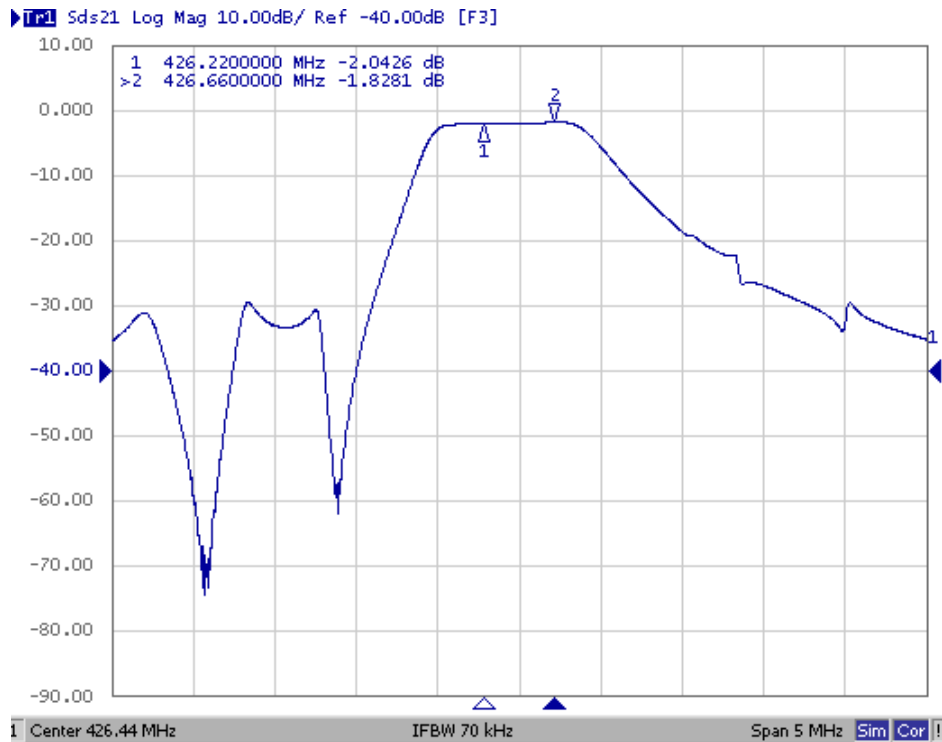


SAW Filter 426.440MHz
Part No: MP04691

Model: TA1216A
Rev No: 1

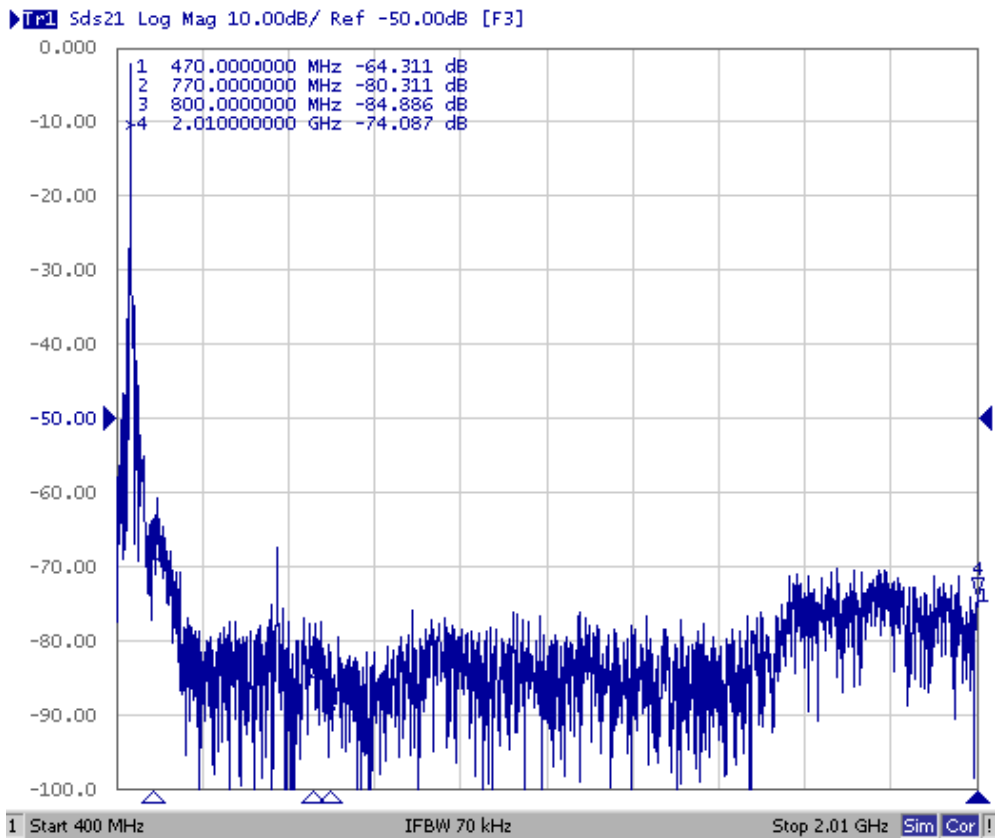
D. FREQUENCY CHARACTERISTICS:

1. Reflection functions



SAW Filter 426.440MHz
Part No: MP04691

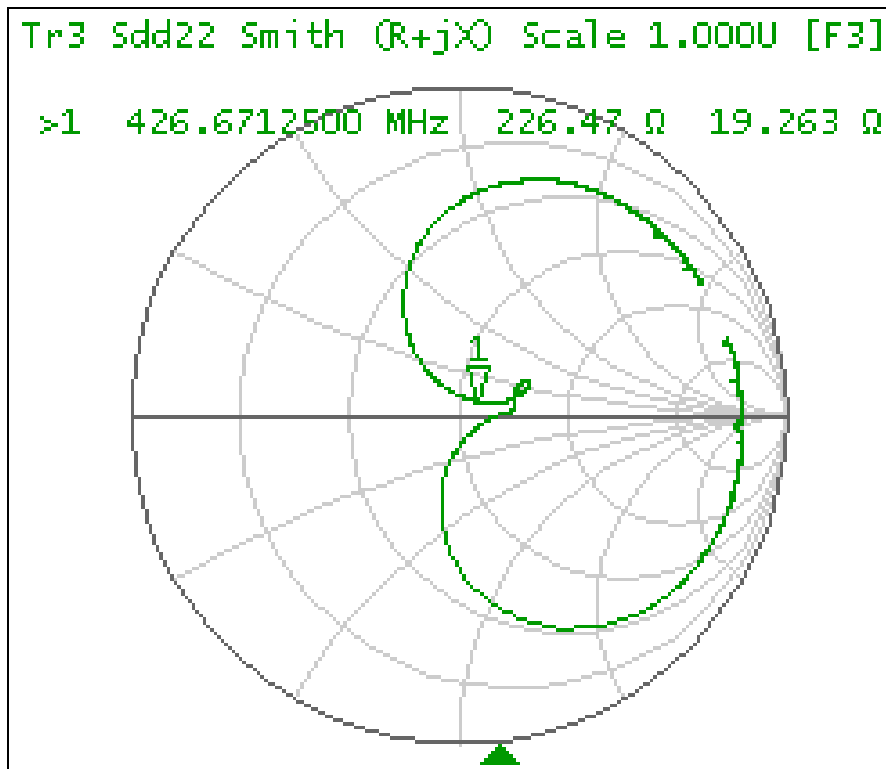
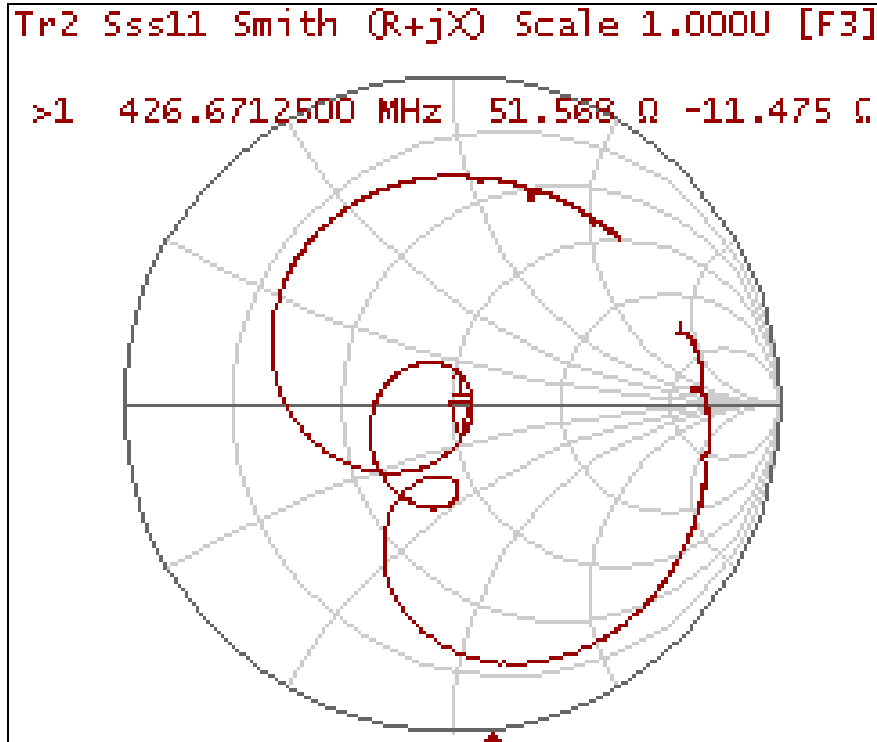
Model: TA1216A
Rev No: 1



SAW Filter 426.440MHz
Part No: MP04691

Model: TA1216A
Rev No: 1

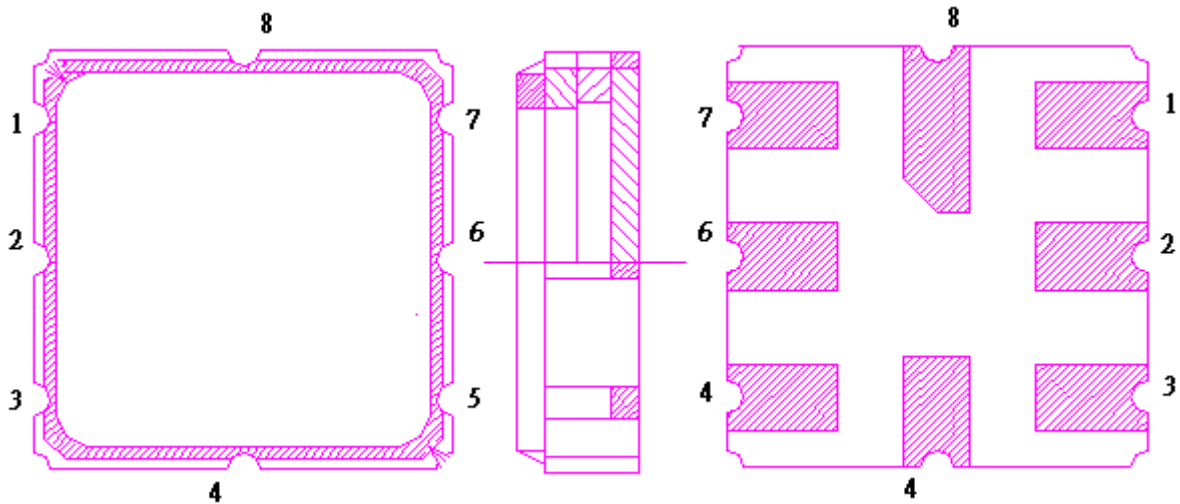
2. Smith chart



SAW Filter 426.440MHz
Part No: MP04691

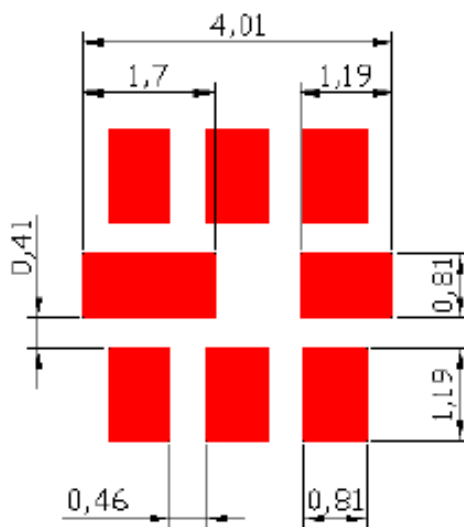
Model: TA1216A
Rev No: 1

E. OUTLINE DRAWING:



1, 2: Input
5: Output
3, 4, 6, 7, 8: Ground
Unit: mm

F. PCB FOOTPRINT:

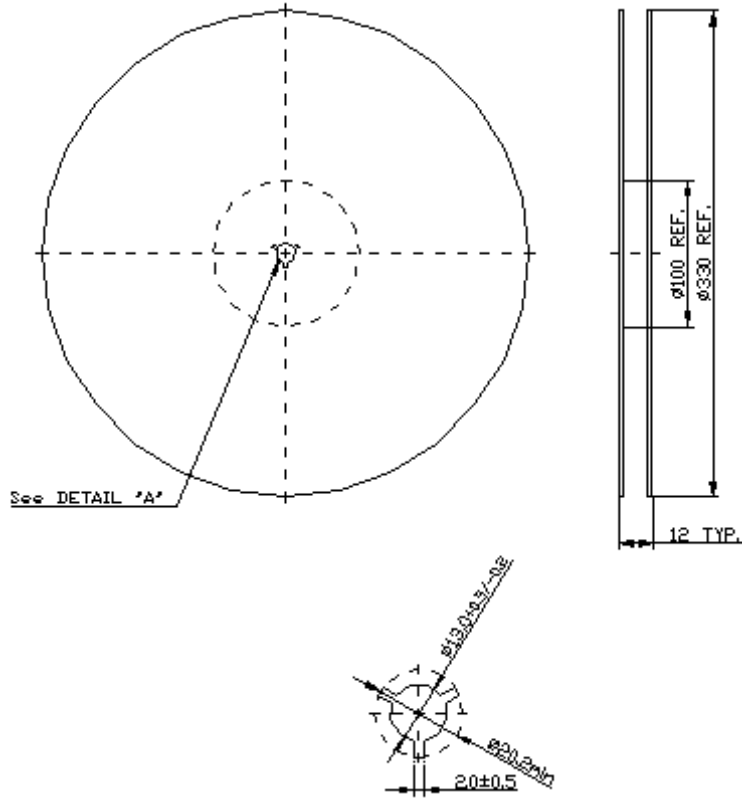


SAW Filter 426.440MHz
Part No: MP04691

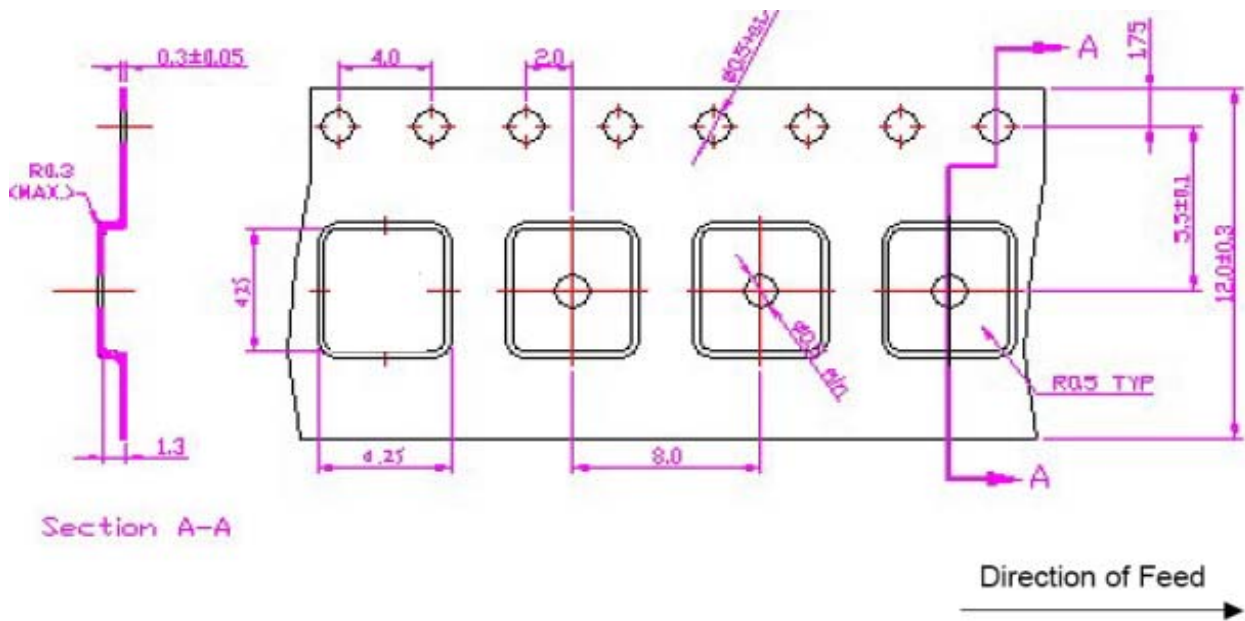
Model: TA1216A
Rev No: 1

G. PACKING:

1. Reel Dimension



2. Tape Dimension



SAW Filter 426.440MHz
Part No: MP04691

Model: TA1216A
Rev No: 1

H. RECOMMENDED REFLOW PROFILE:

