

SAW Filter 435. 0MHz
Part No: MP04694

Model: TA1408A
Rev No: 1

A. MAXIMUM RATING:

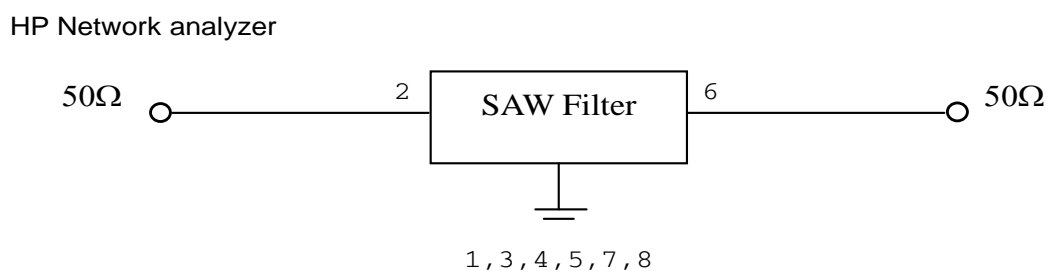
Electrostatic Sensitive Device (ESD)

1. Input Power Level: 10dBm
- 2 DC Voltage: 3V
3. Operating Temperature: -40°C to +85°C
4. Storage Temperature: -40°C to +85°C

B. ELECTRICAL CHARACTERISTICS:

Item	Unit	Min.	Typ.	Max.
Center frequency Fc	MHz	-	435	-
Insertion Loss (430 ~ 440MHz) IL	dB	-	2	3.5
Amplitude Ripple (430 ~ 440MHz)	dB	-	0.7	1.6
Attenuation (Reference level from 0dB)				
0.3 ~ 400MHz	dB	45	50	-
480 ~ 680MHz	dB	45	49	-
680 ~ 1000MHz	dB	35	41	-
Temperature Coefficient of Frequency	ppm/°C	-	-36	-

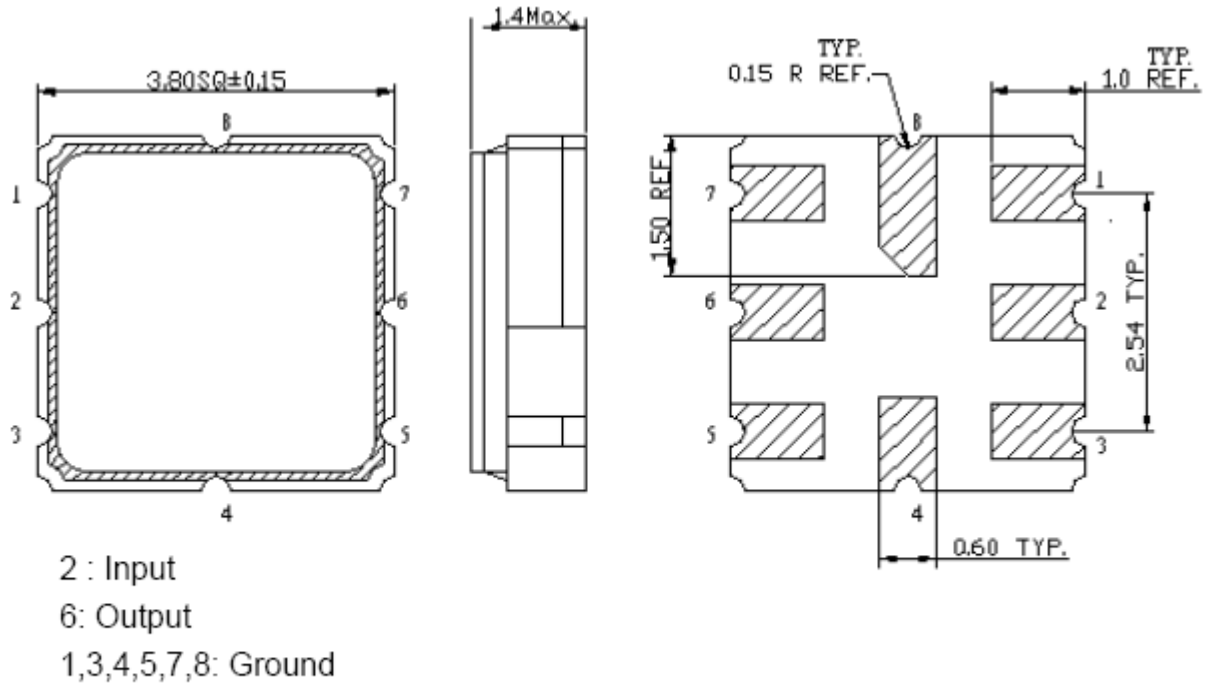
C. MEASUREMENT CIRCUIT:



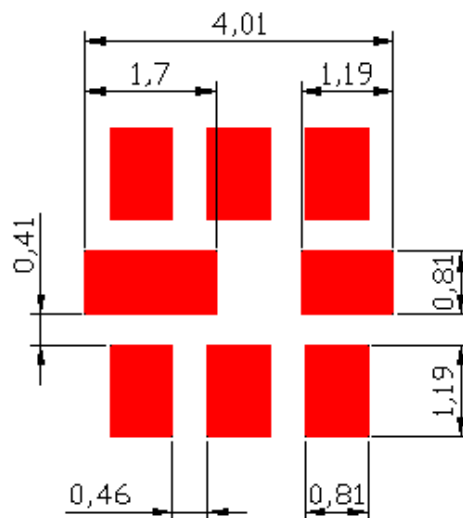
SAW Filter 435.0MHz
Part No: MP04694

Model: TA1408A
Rev No: 1

D. OUTLINE DRAWING:



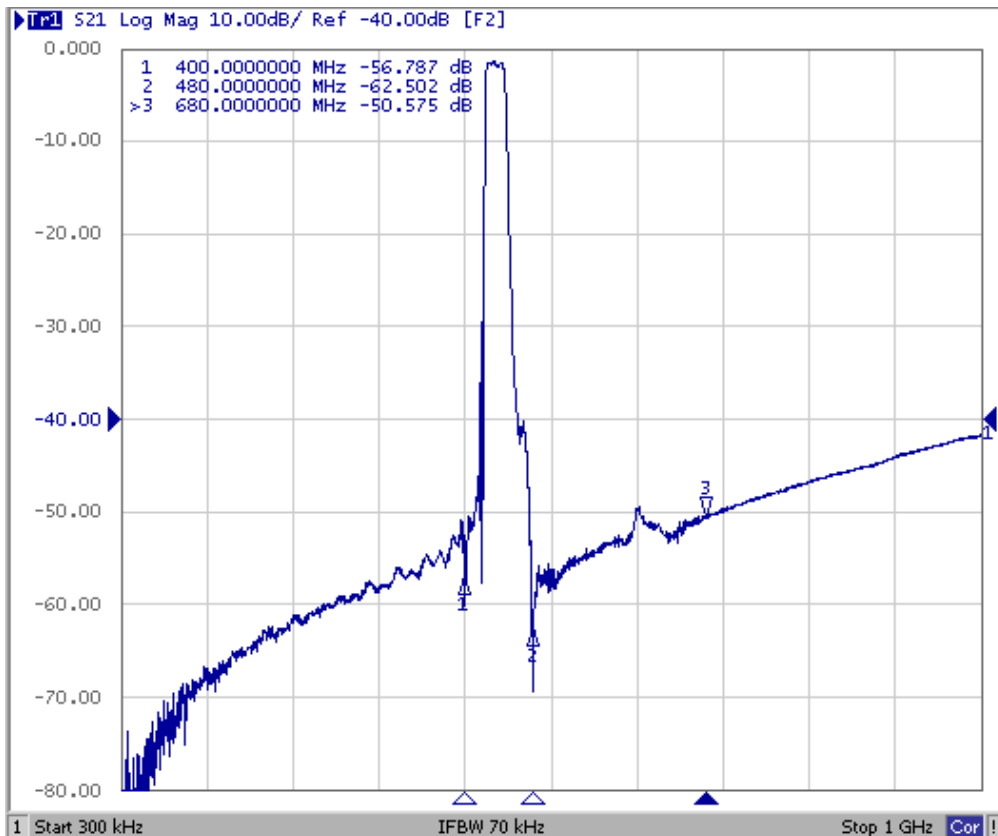
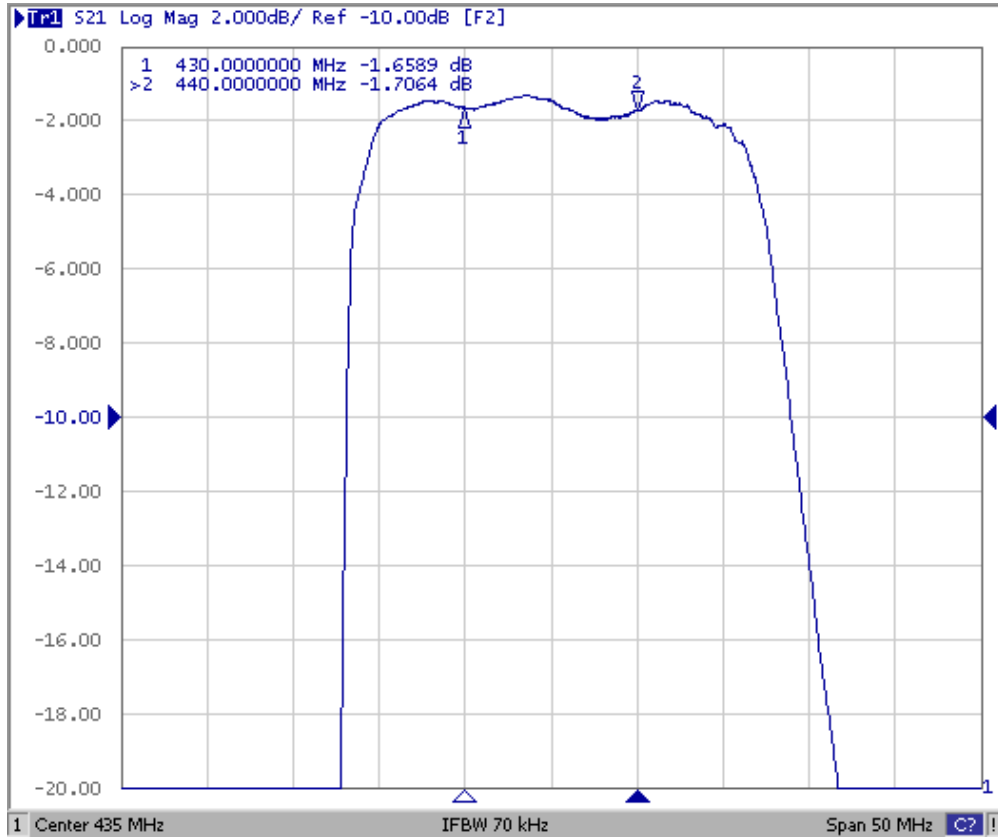
E. PCB FOOTPRINT:



SAW Filter 435.0MHz
Part No: MP04694

Model: TA1408A
Rev No: 1

F. FREQUENCY CHARACTERISTICS:

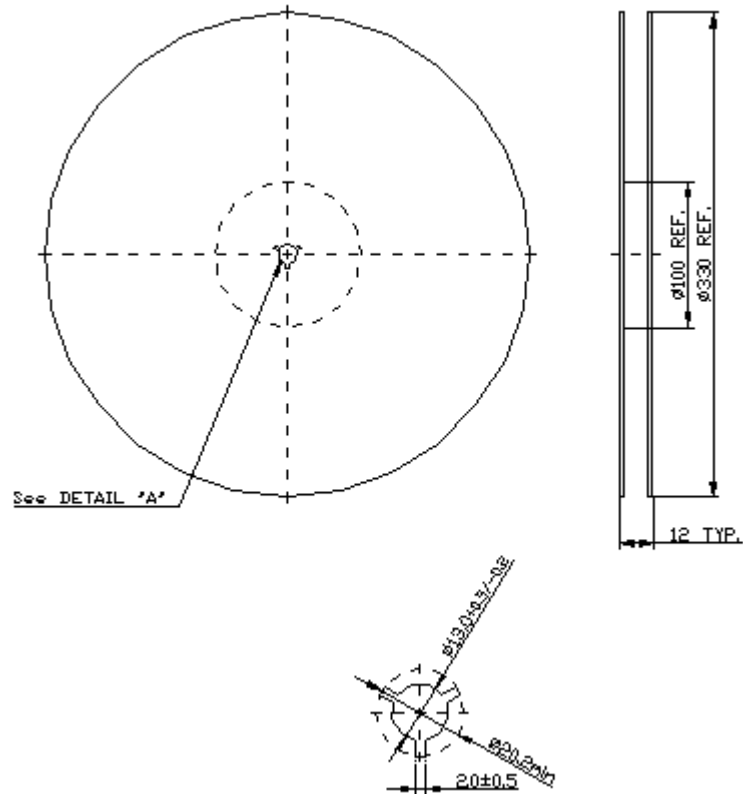


SAW Filter 435.0MHz
Part No: MP04694

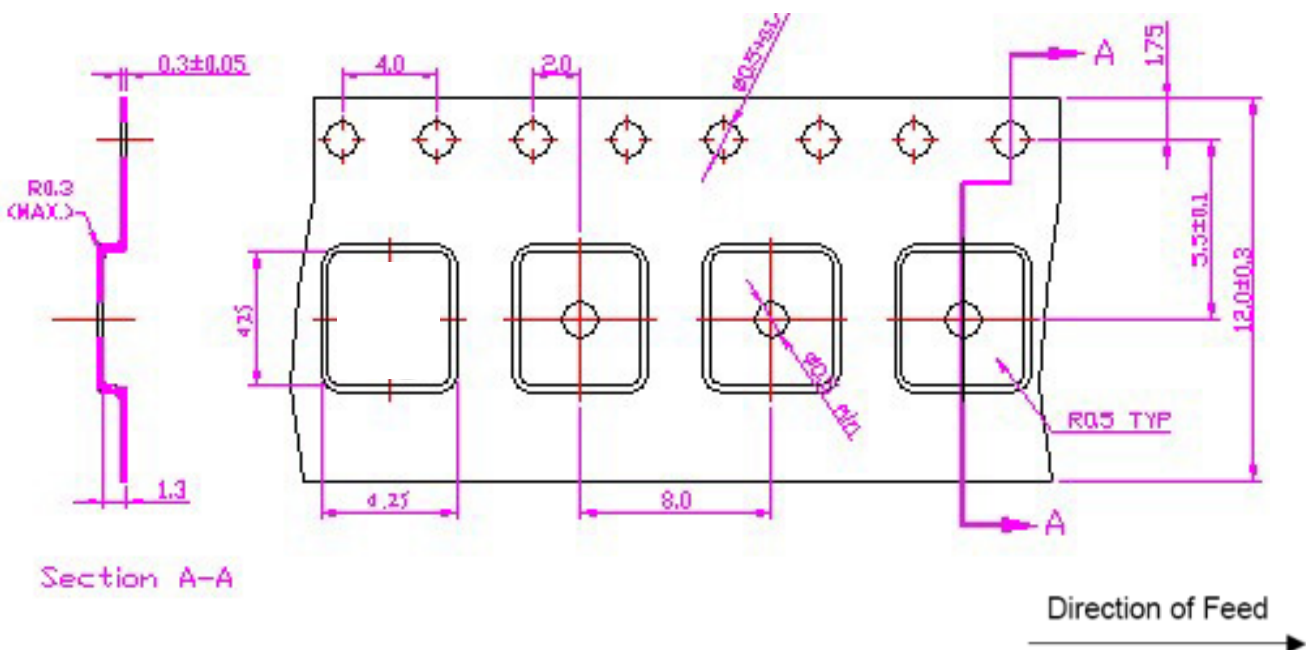
Model: TA1408A
Rev No: 1

G. PACKING:

1. Reel Dimension



2. Tape Dimension



SAW Filter 435.0MHz
Part No: MP04694

Model: TA1408A
Rev No: 1

H. RECOMMENDED REFLOW PROFILE:

