

SAW Resonator 1040.0MHz
Part No: MP04725

Model: TC0586A
Rev No: 1

A. FEATURES:

Electrostatic Sensitive Device (ESD)

One - Port Resonator

B. MAXIMUM RATING:

1. Input Power Level: 10dBm
2. DC voltage: 3V
3. Operating Temperature: -40°C to +85°C
4. Storage Temperature: -40°C to +85°C

C. ELECTRICAL CHARACTERISTICS:

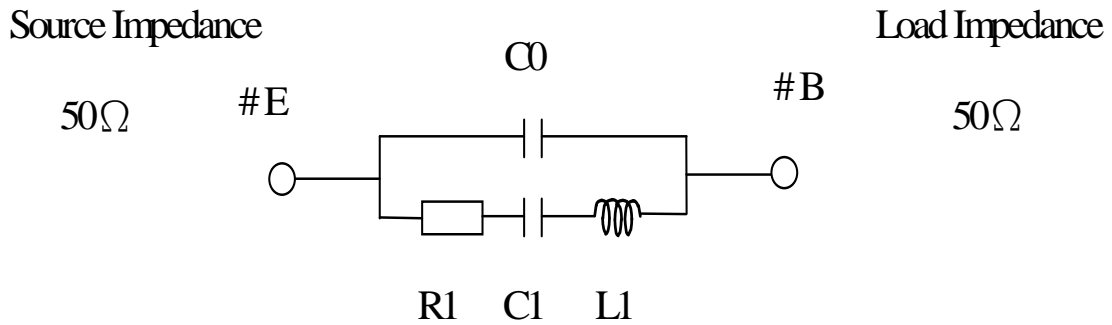
Characteristic	Units	Min.	Typ.	Max.
Center frequency Fr	MHz	1039.950	1040.000	1040.050
Insertion Loss IL	dB	-	1.6	2.0
Equivalent Elements				
Motional capacitance C1	fF	-	1.08	-
Motional inductance L1	μH	-	21.64	-
Motional resistance R1	Ohm	-	17.88	-
Parallel capacitance Co	pF	-	2.30	-
Temp. coeff.	ppm/c*2	-	-0.032	-
Turnover To	deg. C	30	45	60
Package size	SMD 3.0 X 3.0 X 1.4mm			

SAW Resonator 1040.0MHz
Part No: MP04725

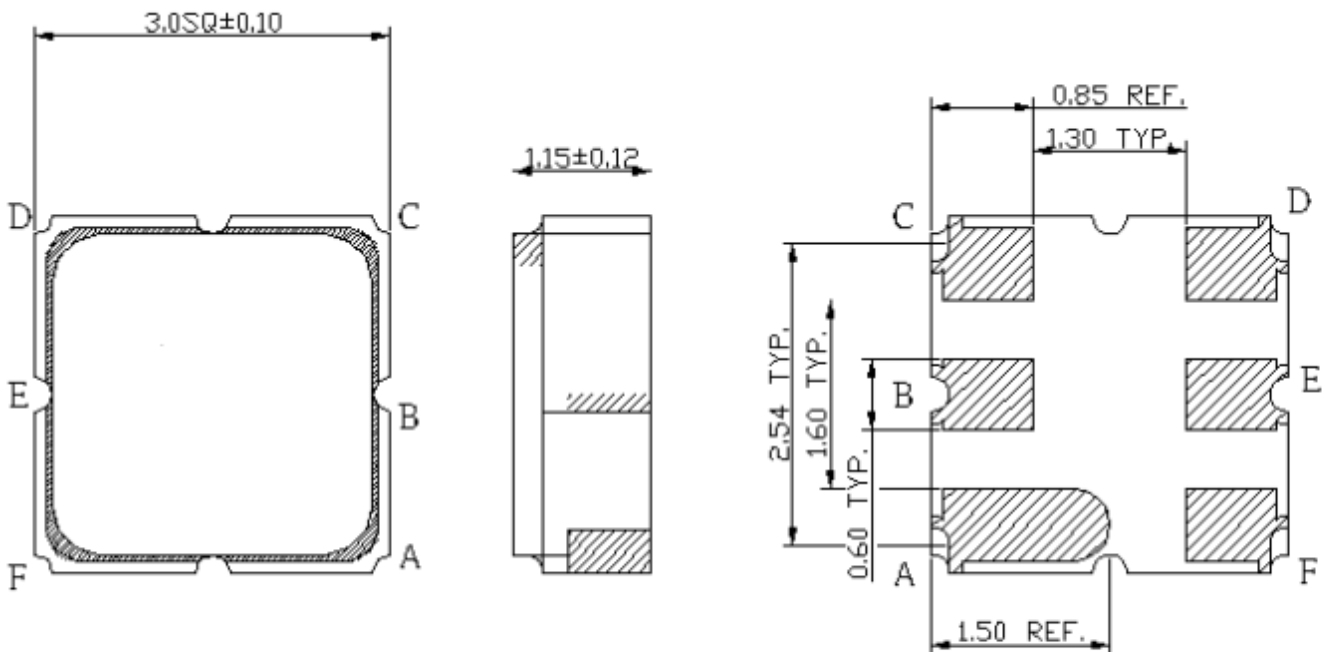
Model: TC0586A
Rev No: 1

D. EQUIVRENT CIRCUIT:

One-Port Resonator



E. OUTLINE DRAWING:



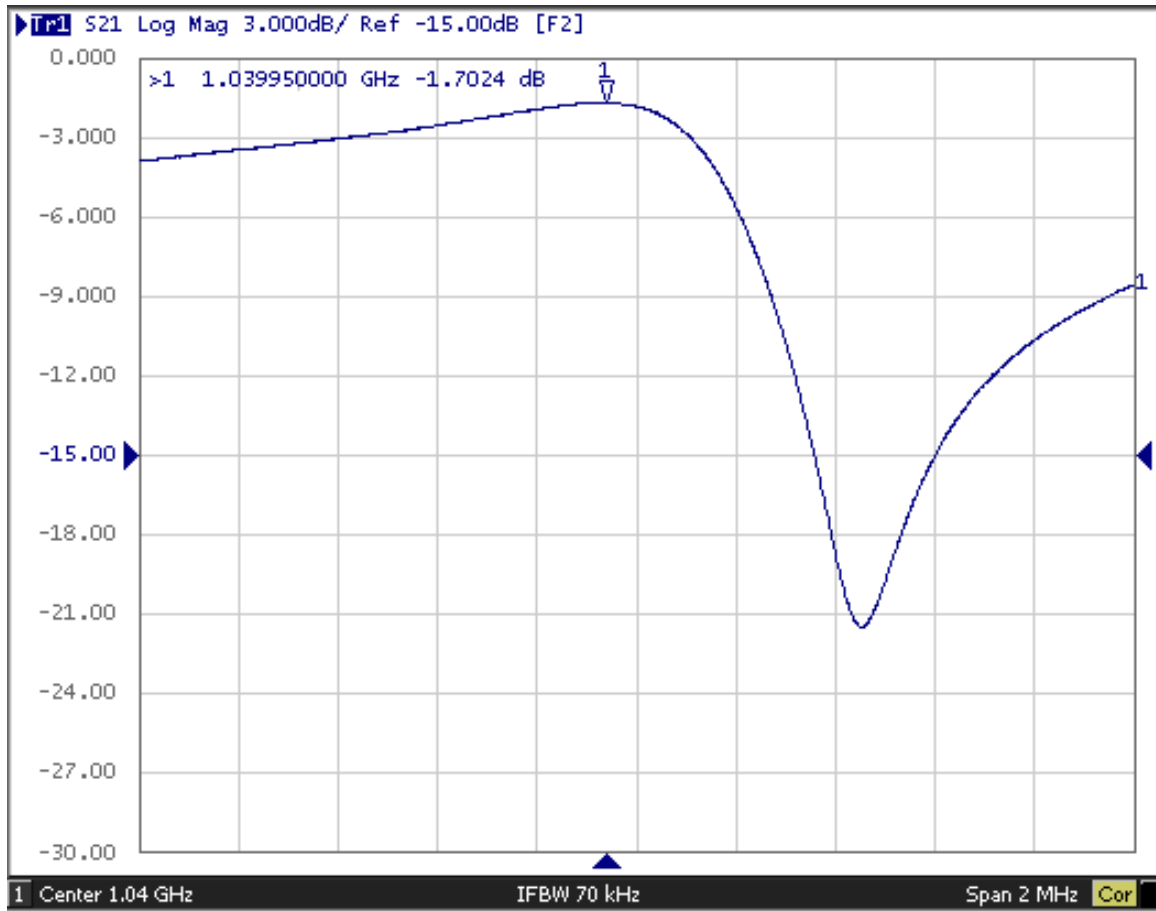
Pin B: Input or Output ; Pin E: Output or Input
Pin A,C,D,F: Ground

Unit : mm

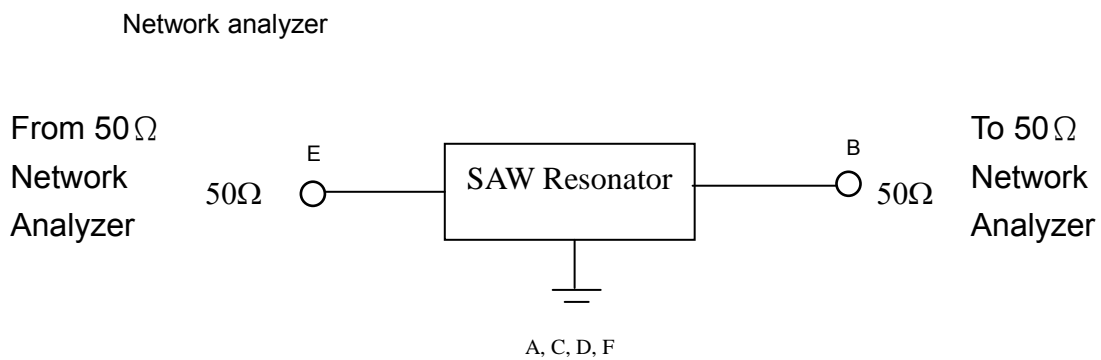
SAW Resonator 1040.0MHz
Part No: MP04725

Model: TC0586A
Rev No: 1

F. FREQUENCY CHARACTERISTICS:



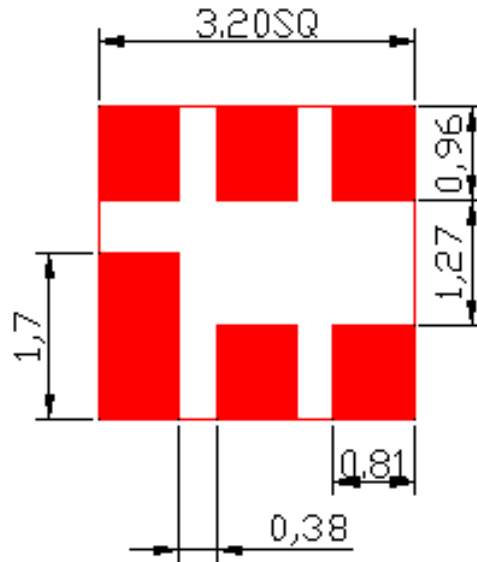
G. TEST CIRCUIT:



SAW Resonator 1040.0MHz
Part No: MP04725

Model: TC0586A
Rev No: 1

H. PCB FOOTPRINT:

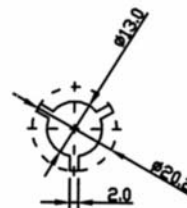
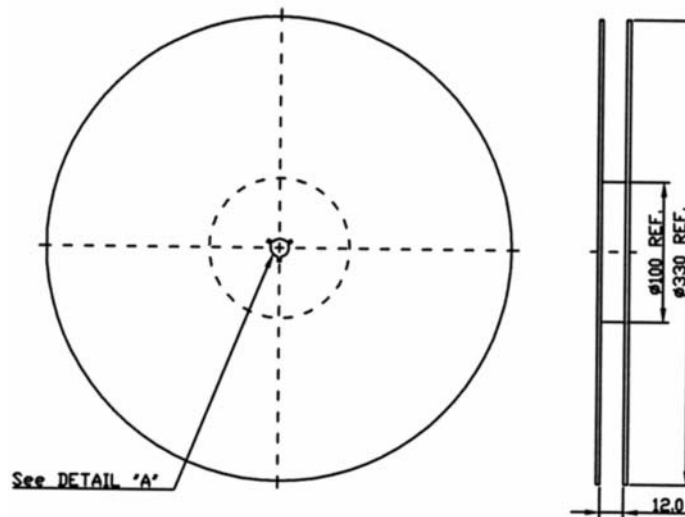


SAW Resonator 1040.0MHz
Part No: MP04725

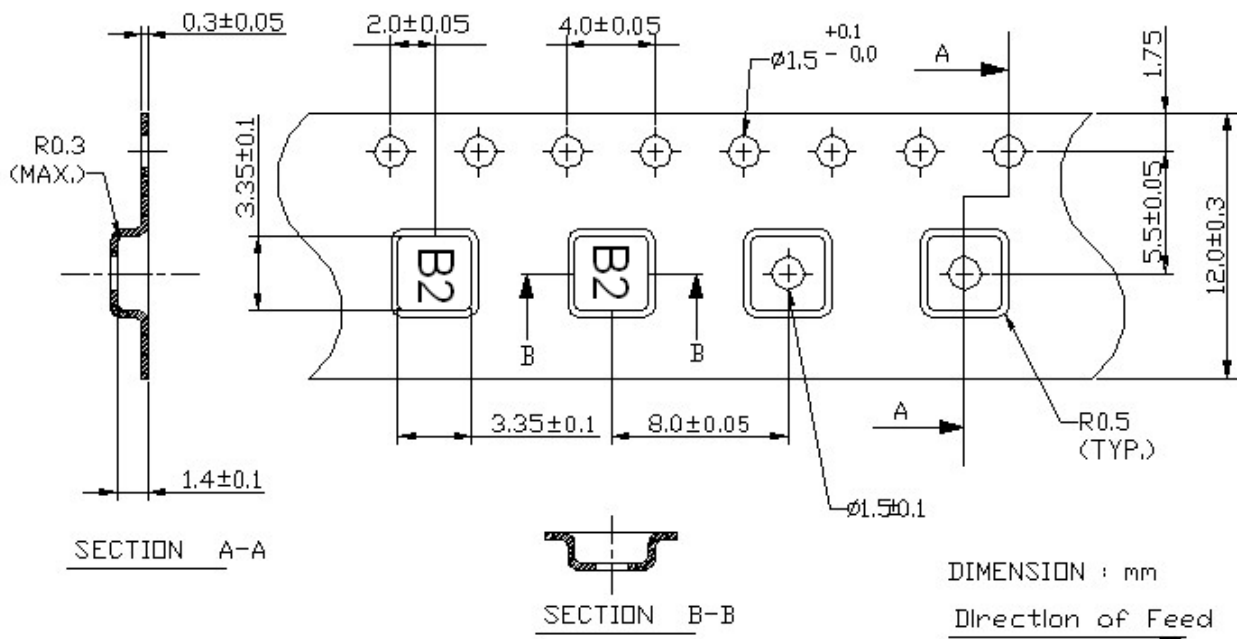
Model: TC0586A
Rev No: 1

I. PACKING:

1. Reel Dimension



2. Tape Dimension



SAW Resonator 1040.0MHz
Part No: MP04725

Model: TC0586A
Rev No: 1

J. RECOMMENDED REFLOW PROFILE:

