

SAW Filter 70.0MHz
Part No: MP04766

Model: TB1028A
Rev No: 1

A. MAXIMUM RATING:

Electrostatic Sensitive Device

1. Input Power Level: +20 dB_m
2. Operating Temperature: -30°C to +80°C
3. Storage Temperature: -40°C to +85°C

B. ELECTRICAL CHARACTERISTICS:

Item	Unit	Min.	Typ.	Max.
Center frequency Fc	MHz	69.8	70	70.2
Insertion Loss IL	dB	-	9.1	11.0
1dB Bandwidth	MHz	5.2	5.8	-
3dB Bandwidth	MHz	6.0	6.8	-
40dB Bandwidth	MHz	-	9.6	10.0
Relative Attenuation:				
10 to 64.5MHz	dB	40	45	-
75.5 to 140MHz	dB	37	41	-
Amplitude ripple within Fc ± 2.1MHz	dB	-	0.8	1.0
Group Delay ripple within Fc ± 2.1MHz	nsec	-	100	170
Substrate Material	-	-	YZ-LN	-
Temperature Coefficient of frequency	ppm/°C	-	-94	-

SAW Filter 70.0MHz
Part No: MP04766

Model: TB1028A
Rev No: 1

C. FREQUENCY CHARACTERISTICS:

1. Frequency Response

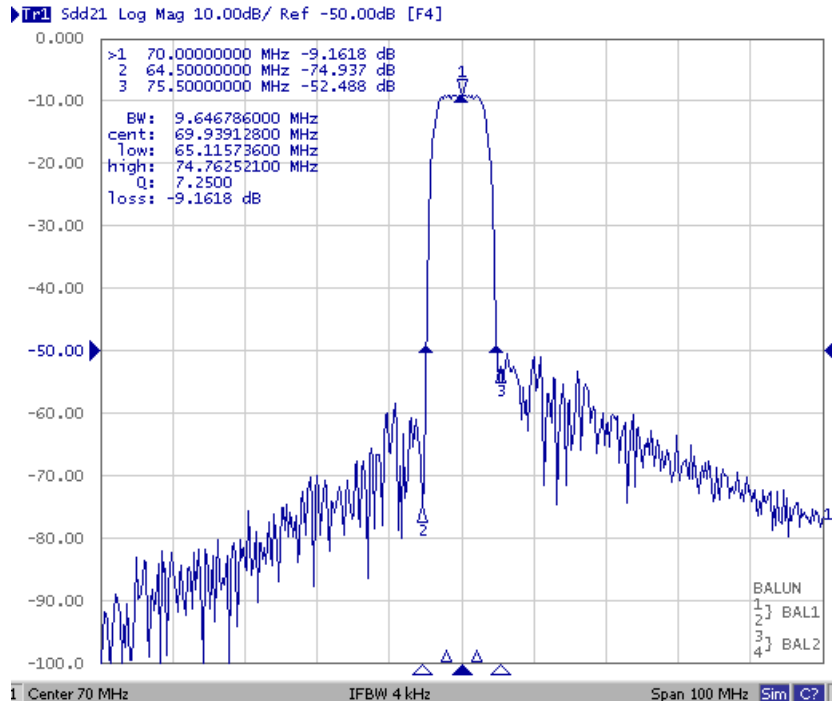


Fig. 1: Horizontal: 10MHz / Div, Vertical: 10dB / Div

2. Passband response and Group Delay Variation

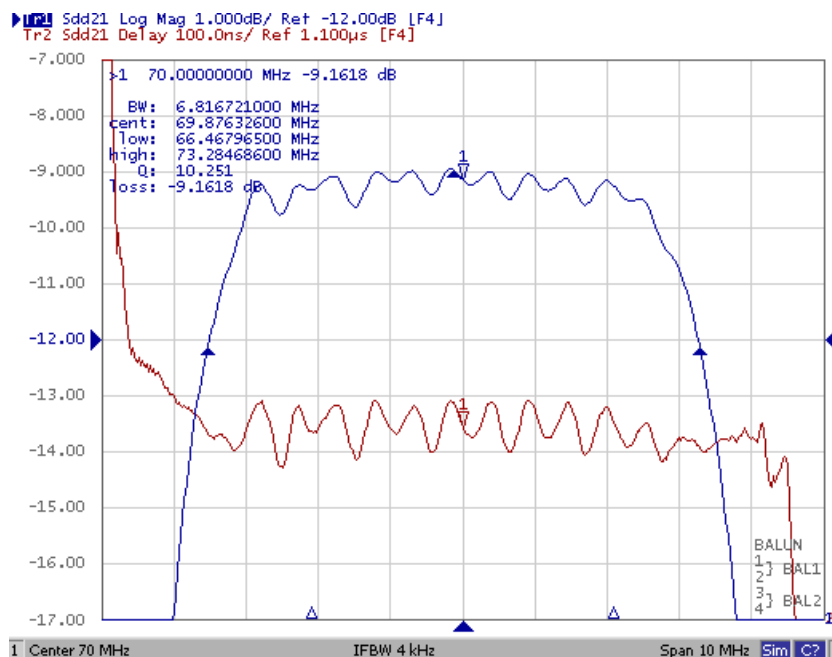
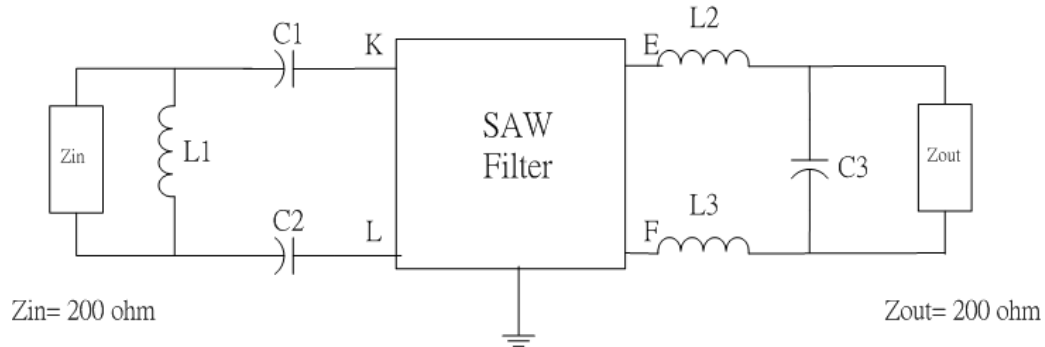


Fig. 2: Horizontal: 1MHz / Div, Vertical: 1dB / Div, Vertical: 100ns / Div

SAW Filter 70.0MHz
Part No: MP04766

Model: TB1028A
Rev No: 1

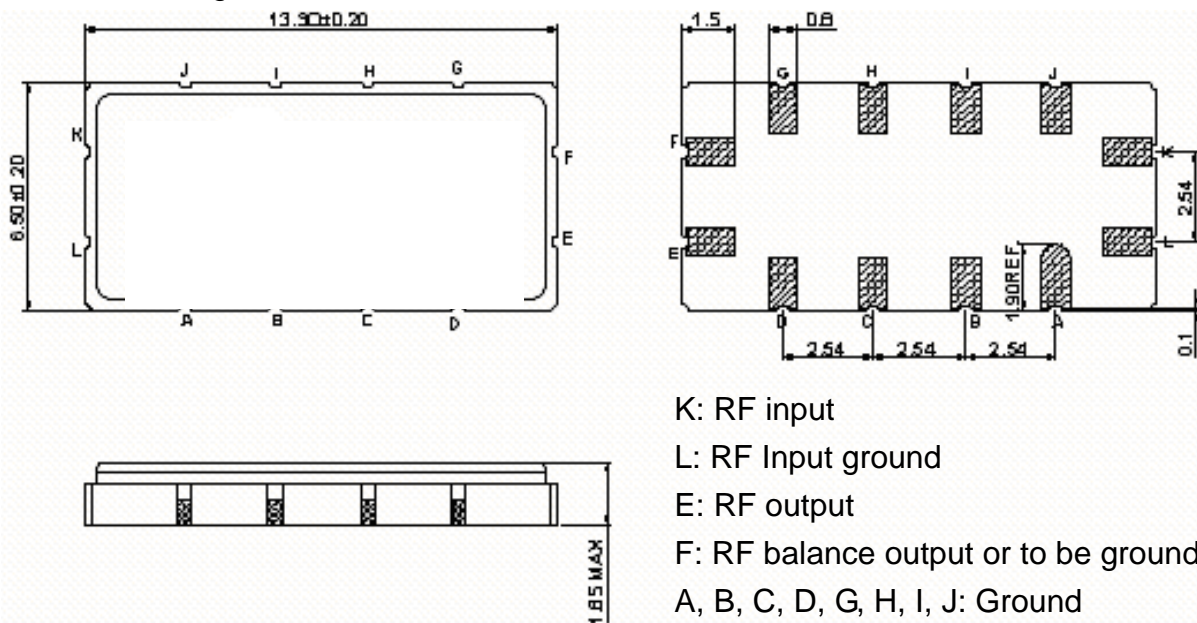
D. MEASUREMENT CIRCUIT:



$L1 = 180\text{nH}$ $L2 = L3 = 120\text{nH}$ $C1 = C2 = 82\text{pF}$ $C3 = 22\text{pF}$

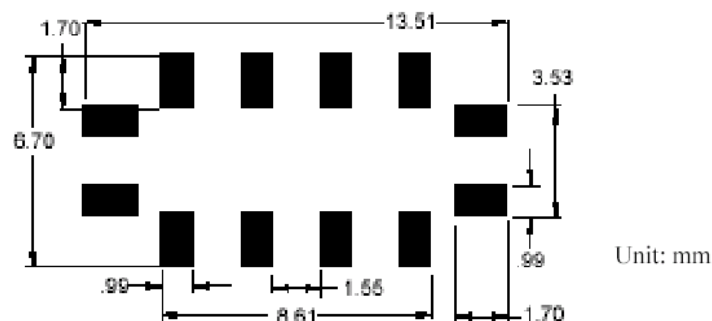
E. OUTLINE DRAWING:

Laser Marking



K: RF input
 L: RF Input ground
 E: RF output
 F: RF balance output or to be ground
 A, B, C, D, G, H, I, J: Ground
 Unit: mm

F. PCB FOOTPRINT:



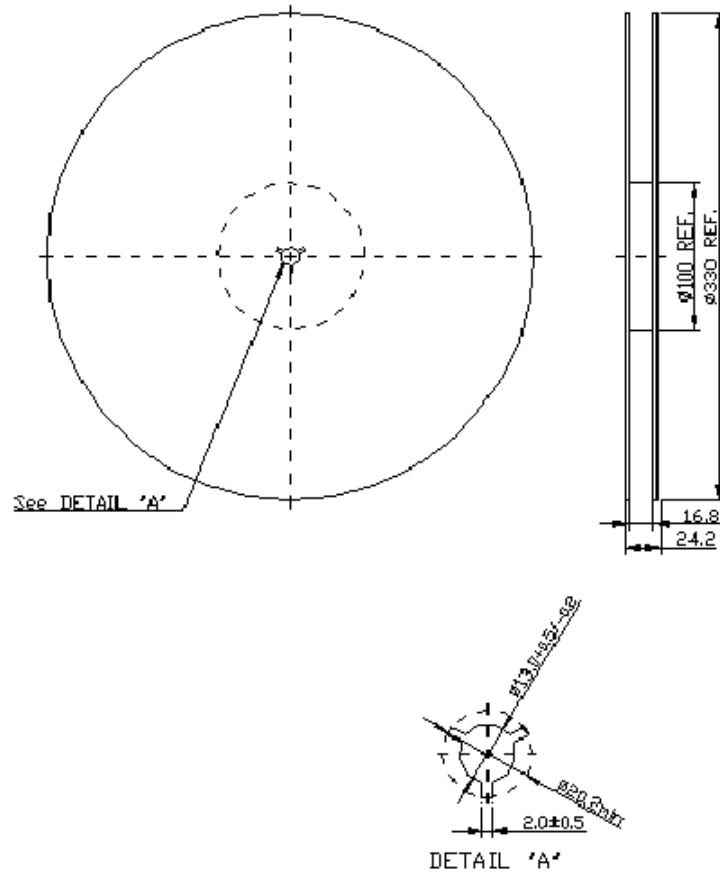
Unit: mm

SAW Filter 70.0MHz
Part No: MP04766

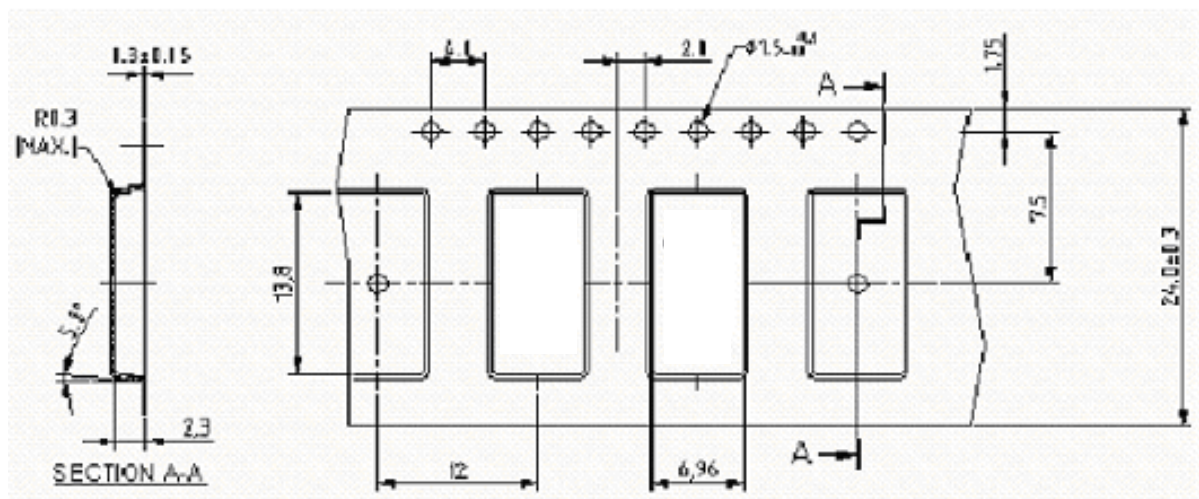
Model: TB1028A
Rev No: 1

G. PACKING:

1. Reel Dimension



2. Tape Dimension



SAW Filter 70.0MHz
Part No: MP04766

Model: TB1028A
Rev No: 1

H. RECOMMENDED REFLOW PROFILE:

