

SAW Resonator 600.0MHz
Part No: MP04962

Model: TC0527A
Rev No: 1

A. FEATURES:

Electrostatic Sensitive Device

One - Port Resonator

B. MAXIMUM RATING:

1. Input Power Level: 10dBm
2. DC voltage: 3V
3. Operating Temperature: -40°C to +85°C
4. Storage Temperature: -40°C to +85°C

C. ELECTRICAL CHARACTERISTICS:

Reference Temperature $T_A = 25^\circ\text{C}$

Characteristic	Units	Min.	Typ.	Max.
Center frequency F_c	MHz	599.965	600	600.035
Insertion Loss IL	dB	-	1.15	2.0
Equivalent Element				
Unload quality factor QU		-	6788	-
Motional capacitance C1	fF	-	2.72	-
Motional inductance L1	μH	-	26.79	-
Motional resistance R1	Ohm	-	14.87	-
Parallel capacitance Co	pF	-	3.88	-
Frequency Temperature coefficient (TC_f)	ppm/c*2	-	0.032	-
Package size	SMD 3.0 X 3.0 X 1.4mm			

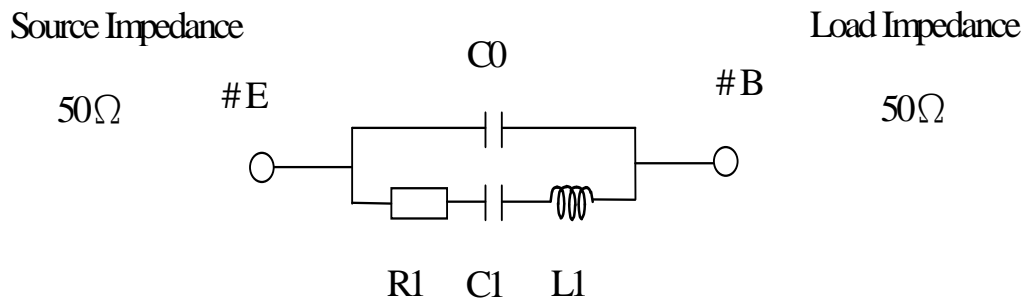
Temperature dependence of fc: $F_c(T_A) = F_c(T_O) (1 - TC_f(T_A - T_O)^2)$

SAW Resonator 600.0MHz
Part No: MP04962

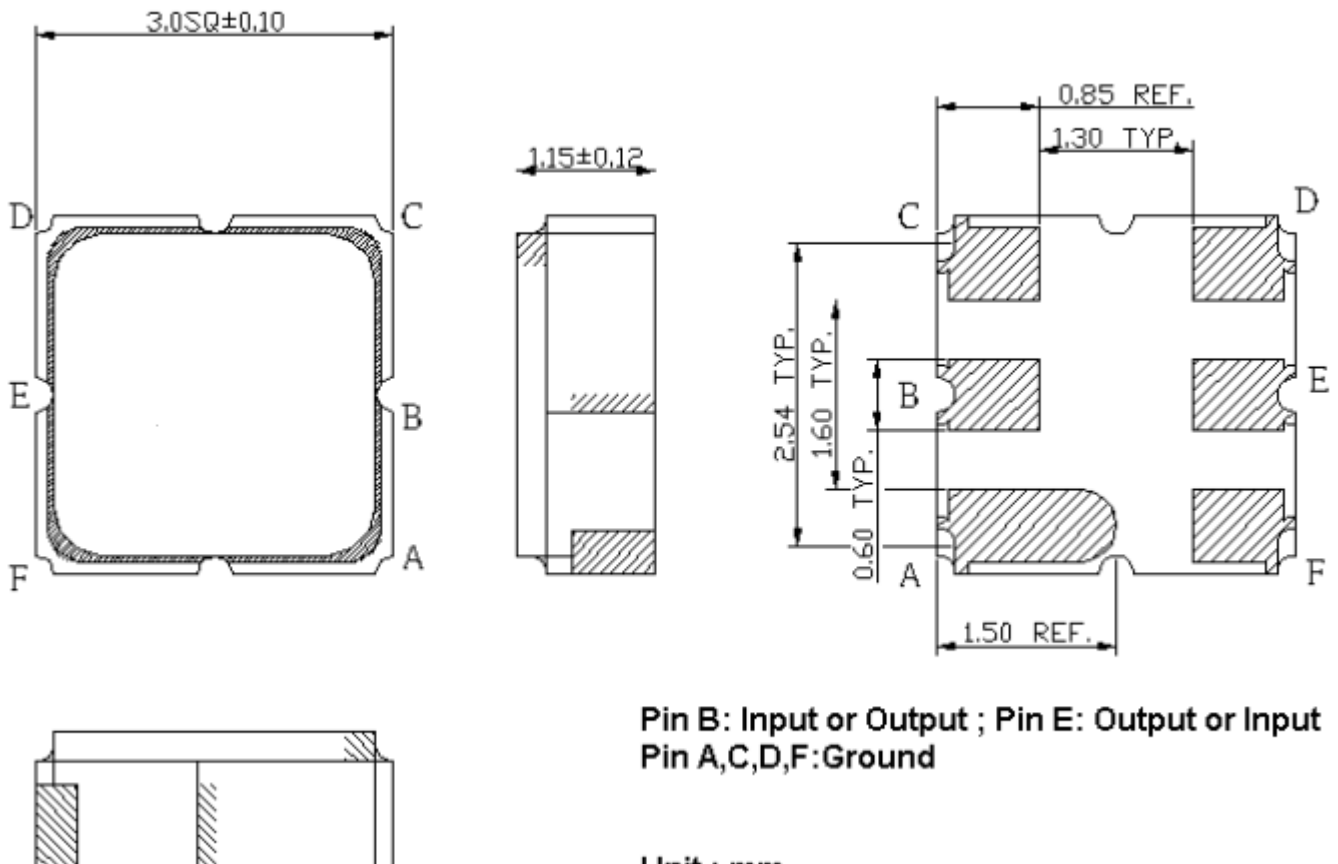
Model: TC0527A
Rev No: 1

D. EQUIVARENT CIRCUIT:

One - Port Resonator:



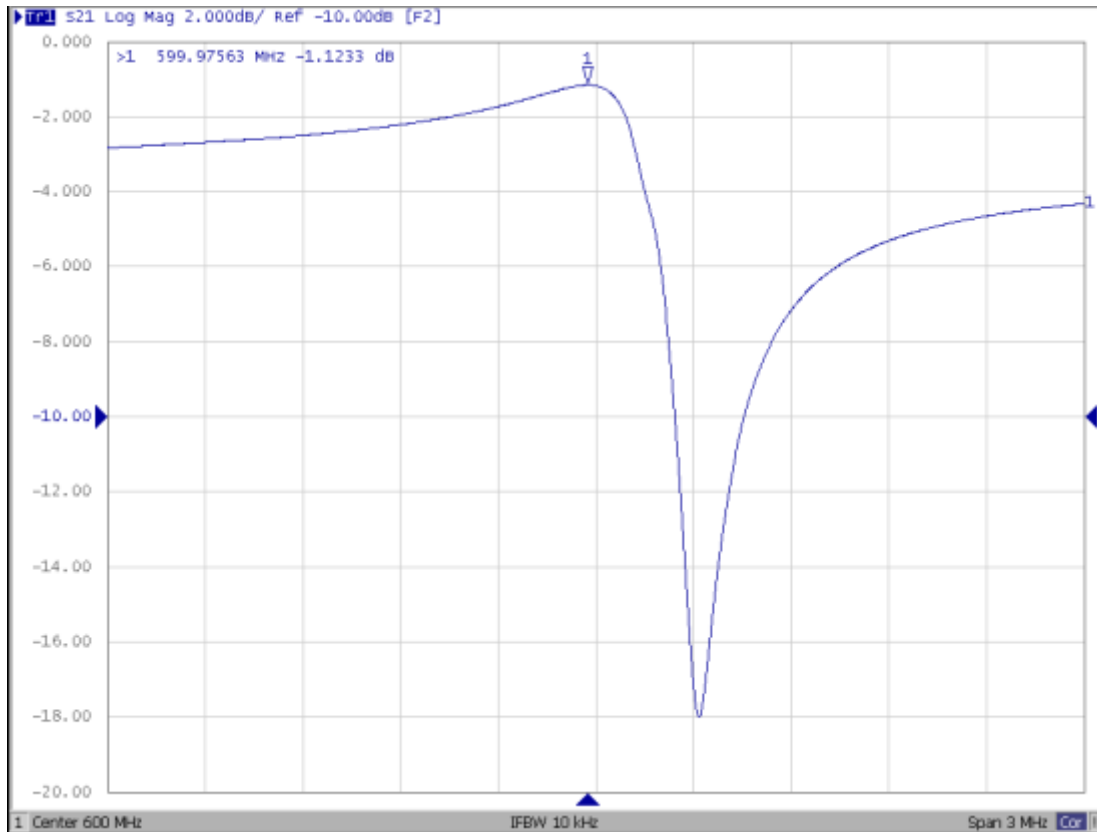
E. OUTLINE DRAWING:



SAW Resonator 600.0MHz
Part No: MP04962

Model: TC0527A
Rev No: 1

F. FREQUENCY CHARACTERISTICS:

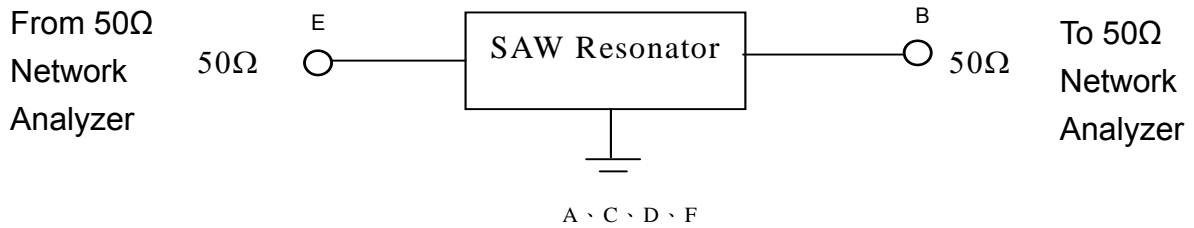


SAW Resonator 600.0MHz
Part No: MP04962

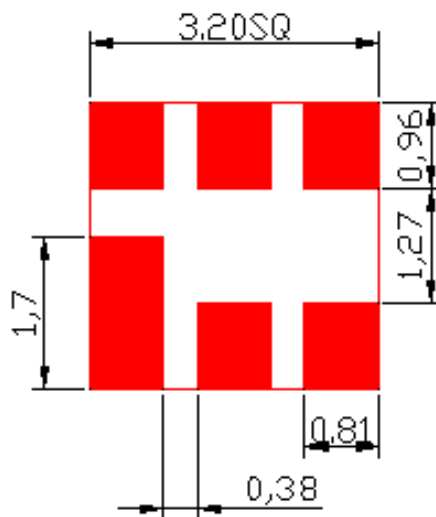
Model: TC0527A
Rev No: 1

G. TEST CIRCUIT:

Network analyzer



H. PCB FOOTPRINT:

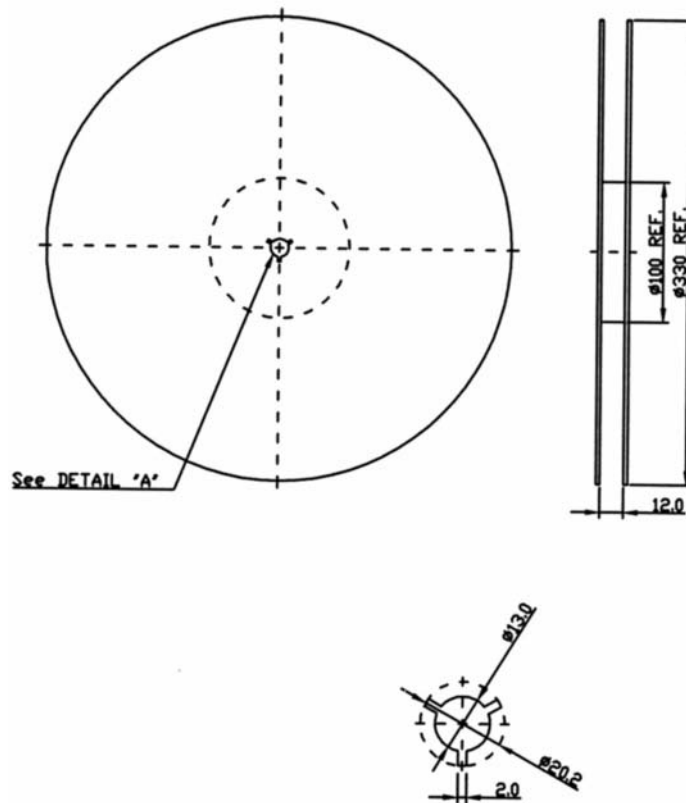


SAW Resonator 600.0MHz
Part No: MP04962

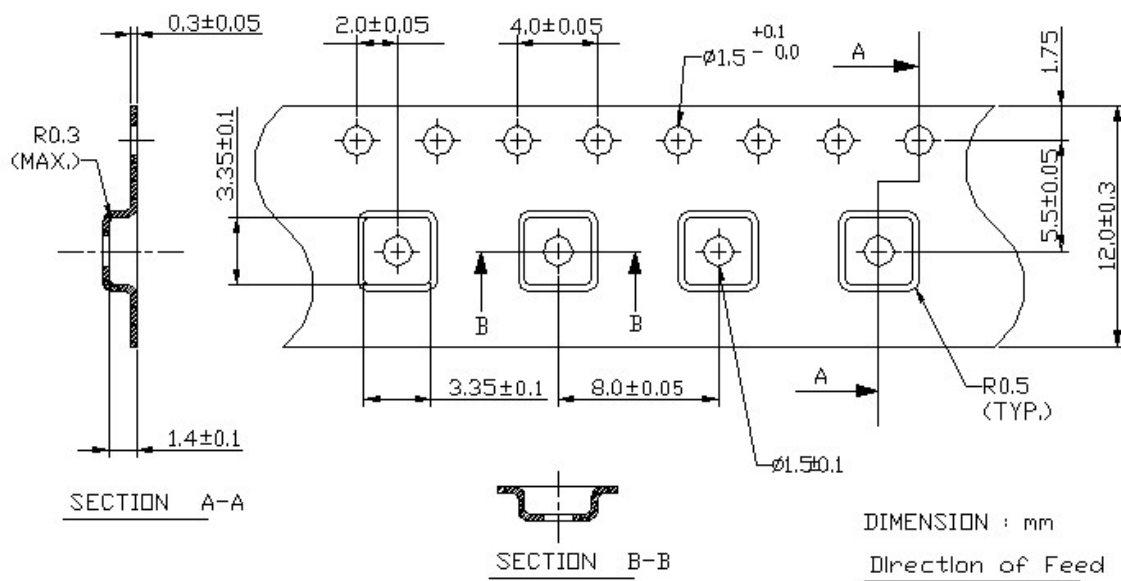
Model: TC0527A
Rev No: 1

I. PACKING:

1. Reel Dimension



2. Tape Dimension



SAW Resonator 600.0MHz
Part No: MP04962

Model: TC0527A
Rev No: 1

J. RECOMMENDED REFLOW PROFILE:

