

SAW Filter 902.8750MHz
Part No: MP05009

Model: TA1331A
Rev No: 1

A. MAXIMUM RATING:

Electrostatic Sensitive Device

1. Input Power Level: 10dBm
2. DC Voltage: 6V
3. Operating Temperature: -40°C to +105°C
4. Storage Temperature: -40°C to +105°C

B. ELECTRICAL CHARACTERISTICS:

Item	Unit	Min.	Typ.	Max.
Center frequency Fc	MHz	-	902.875	-
3dB BW	MHz	-	2.0	-
Minimum insertion loss IL(min)				
Exclude loss in matching elements *1)	dB	-	2.4	3.6
Incl. loss of matching elements (Q = 89) *2)	dB	-	3.4	4.6
Passband (relative to IL min) *1)				
902.20 ~ 903.55MHz	dB	-	1.5	3.0
902.10 ~ 903.65MHz	dB	-	2.0	5.0
Attenuation (relative to IL min) *1)				
10.000 ~ 820.00MHz	dB	47	53	-
820.00 ~ 884.00MHz	dB	42	48	-
884.00 ~ 892.00MHz	dB	37	43	-
892.00 ~ 900.50MHz	dB	15	21	-
906.00 ~ 910.50MHz	dB	15	21	-
910.50 ~ 929.00MHz	dB	22	28	-
929.00 ~ 945.00MHz	dB	38	44	-
945.00 ~ 1000.0MHz	dB	41	47	-
1000.0 ~ 2000.0MHz	dB	37	43	-
2000.0 ~ 2500.0MHz	dB	55	66	-
Impedance at Fc Input *1) $Z_{IN} = R_{IN} // C_{IN} Z_S$	Ω	579 Ω // 1.0pF		
Impedance at Fc, Output *1) $Z_{OUT} = R_{OUT} / / C_{OUT} Z_L$	Ω	579 Ω // 1.0pF		

*1). The matching circuit is ideal by simulation.

*2). The matching circuit is real by actual passive components.

0805 Coillcraft CS series chip conductor is used for inductor.

0402 muRata GRM series is used for capacitor.

SAW Filter 902.8750MHz
Part No: MP05009

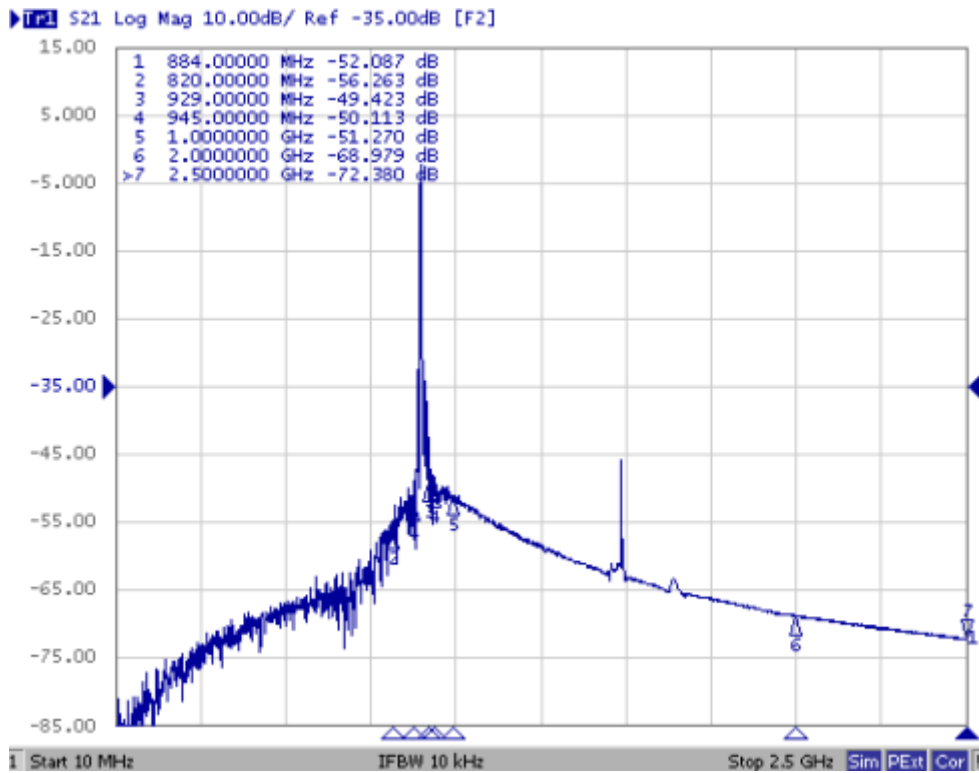
Model: TA1331A
Rev No: 1

C. FREQUENCY CHARACTERISTICS:



SAW Filter 902.8750MHz
Part No: MP05009

Model: TA1331A
Rev No: 1

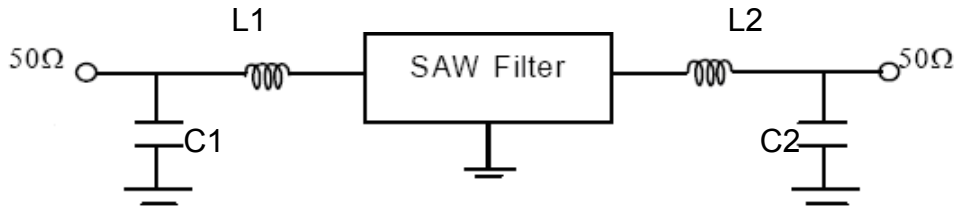


SAW Filter 902.8750MHz
Part No: MP05009

Model: TA1331A
Rev No: 1

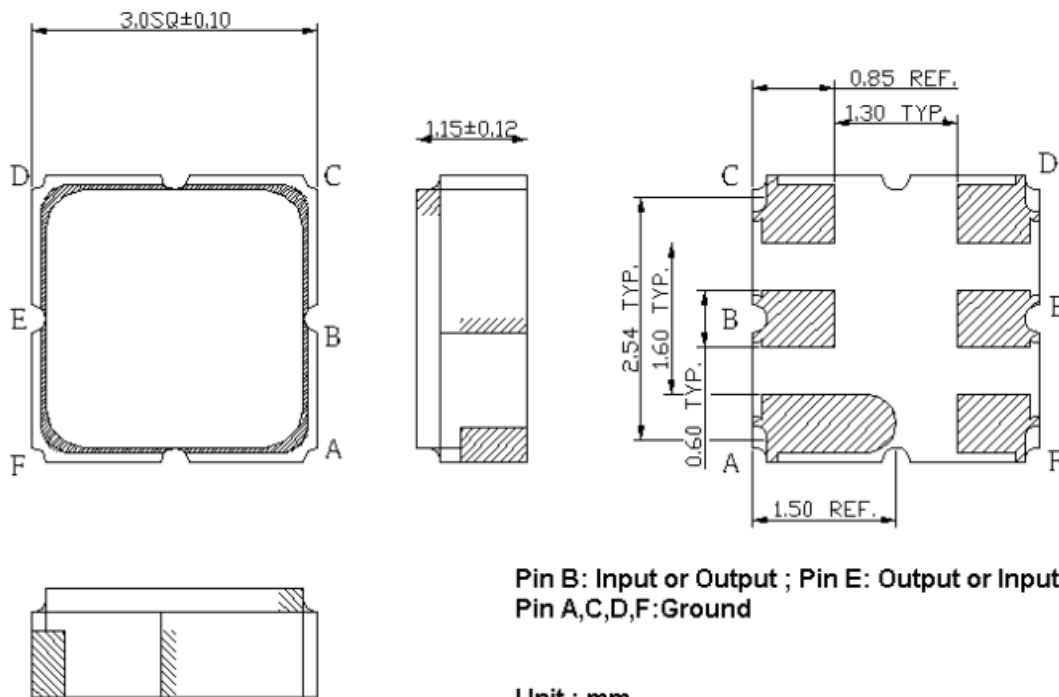
D. MEASUREMENT CIRCUIT:

The matching circuit is ideal by simulation

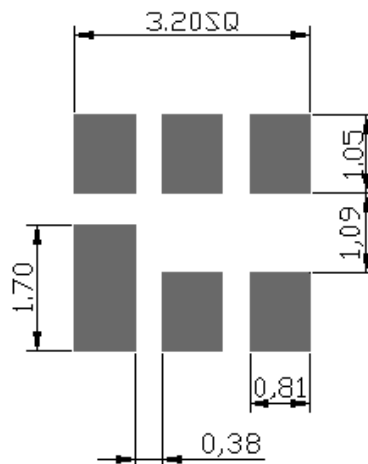


L1: 30nH, L2: 30nH (Ideal value), C1: 1.0pF, C2: 1.0pF (Ideal value)

E. OUTLINE DRAWING:



F. PCB FOOTPRINT:

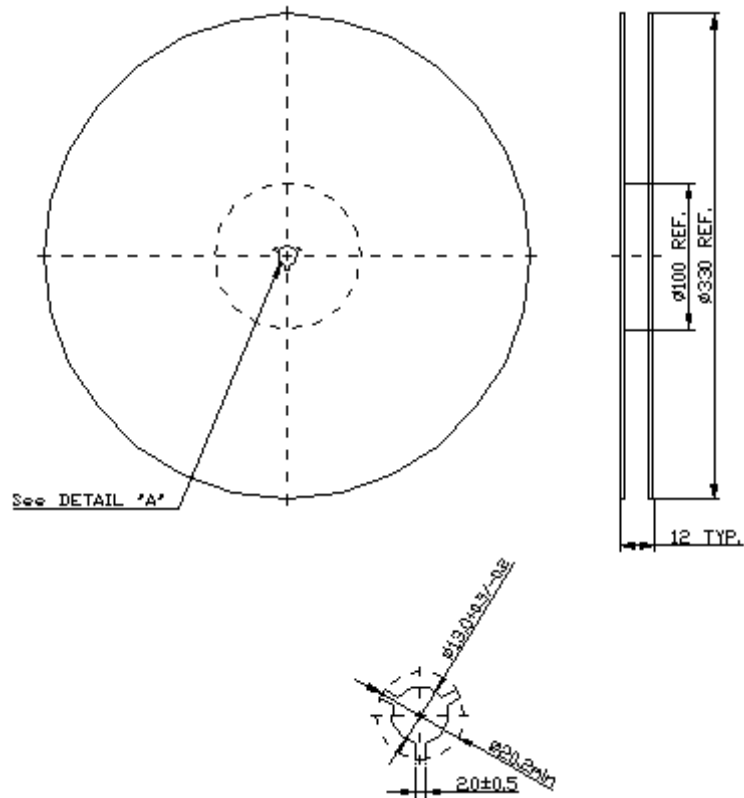


SAW Filter 902.8750MHz
Part No: MP05009

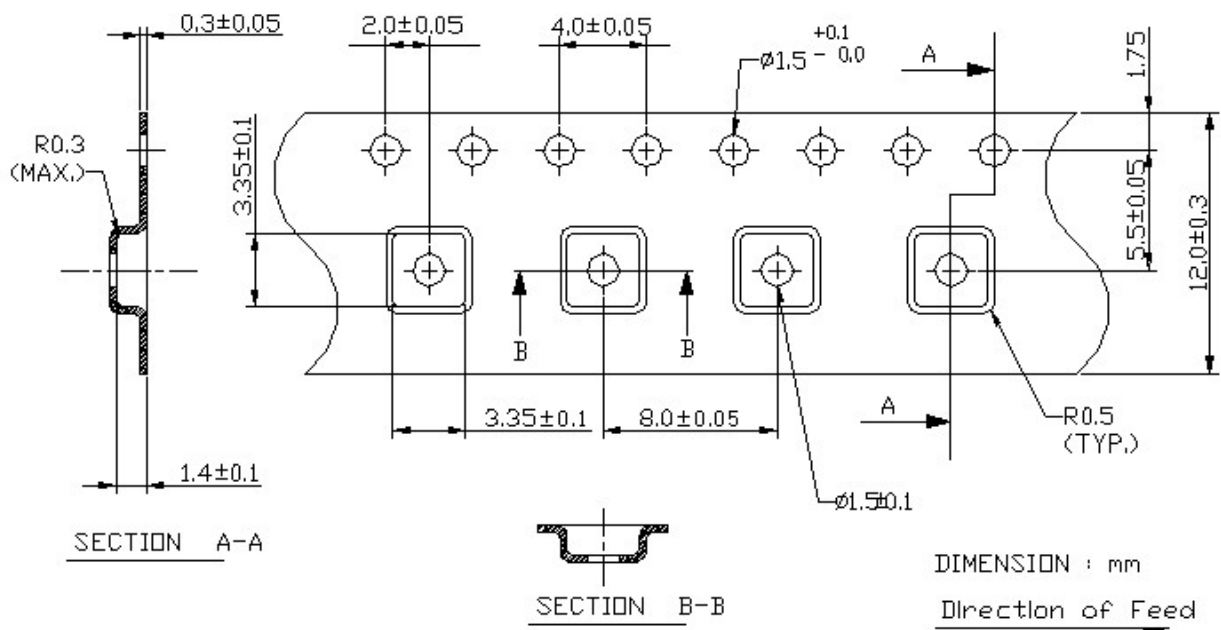
Model: TA1331A
Rev No: 1

G. PACKING:

1. Reel Dimension



2. Tape Dimension



SAW Filter 902.8750MHz
Part No: MP05009

Model: TA1331A
Rev No: 1

H. RECOMMENDED REFLOW PROFILE:

