

**SAW Filter 404.0MHz**  
**Part No: MP05063**

**Model: TA1347A**  
**Rev No: 2**

**A. MAXIMUM RATING:**

1. Input Power Level: 10dBm
2. DC Voltage: 3V
3. Operating Temperature: -20°C to +70°C
4. Storage Temperature: -40°C to +85°C

**B. ELECTRICAL CHARACTERISTICS:**

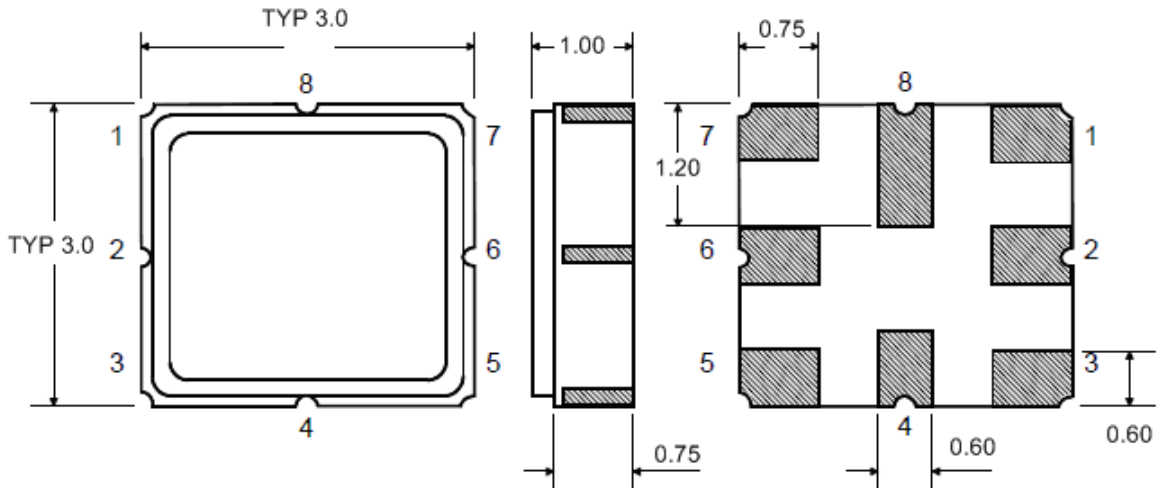
**Electrical Characteristics**

Characteristic	Sym	Notes	Minimum	Typical	Maximum	Units
Center Frequency at 25 °C	$f_c$	1, 2, 3		404		MHz
Insertion Loss	$IL_{MIN}$	1, 3		2.1	2.3	dB
Passband Ripple, 402-405 MHz		1, 3		0.6	0.8	dB
3 dB Bandwidth	$BW_3$	1, 3	5.0	6.0		MHz
Attenuation relative to $IL_{MIN}$ :						
398.5 MHz		1, 3	30	35		dB
408.5 MHz			30	45		
383.5 MHz			40	50		
423.5 MHz			40	48		
Freq. Temp. Coefficient	FTC			-37		ppm/k
Frequency Aging, First Year	fA	5		≤10		ppm
Single-ended Input/Output Impedance Match		1		50		ohms
Differential Input/Output Impedance Match		1		150		ohms
Lid Symbolization (Y=year WW=week S=shift)				A16 // YWWS		
Standard Reel Quantity	Reel Size 7 Inch Reel Size 13 Inch	9		500 Pieces/Reel		
				3000 Pieces/Reel		

**SAW Filter 404.0MHz**  
**Part No: MP05063**

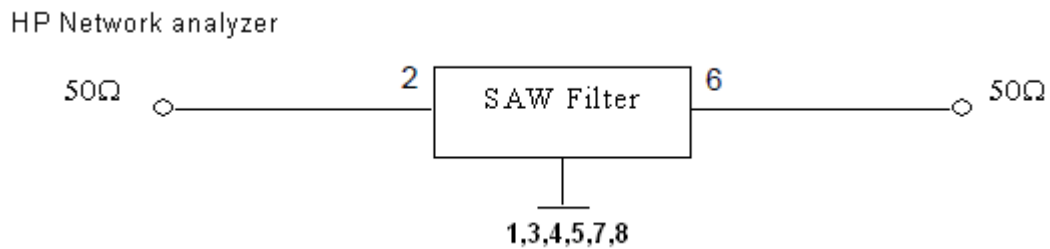
**Model: TA1347A**  
**Rev No: 2**

**C. OUTLINE DRAWING:**

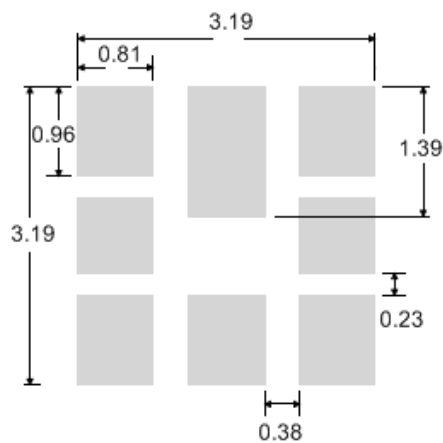


Unit: mm

**D. MEASUREMENT CIRCUIT:**



**E. PCB FOOTPRINT:**

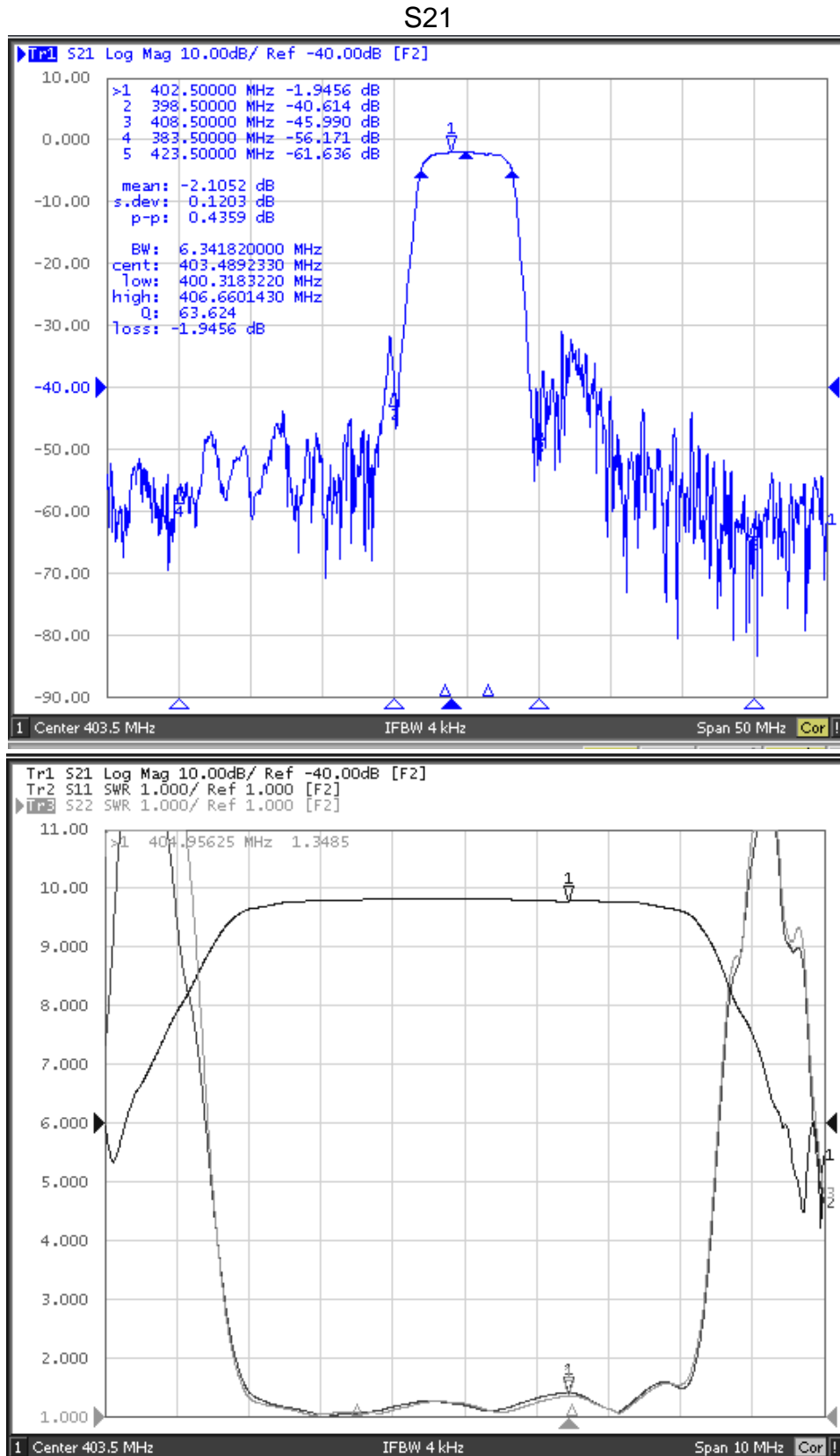


**PCB Land Pattern**

**SAW Filter 404.0MHz**  
**Part No: MP05063**

**Model: TA1347A**  
**Rev No: 2**

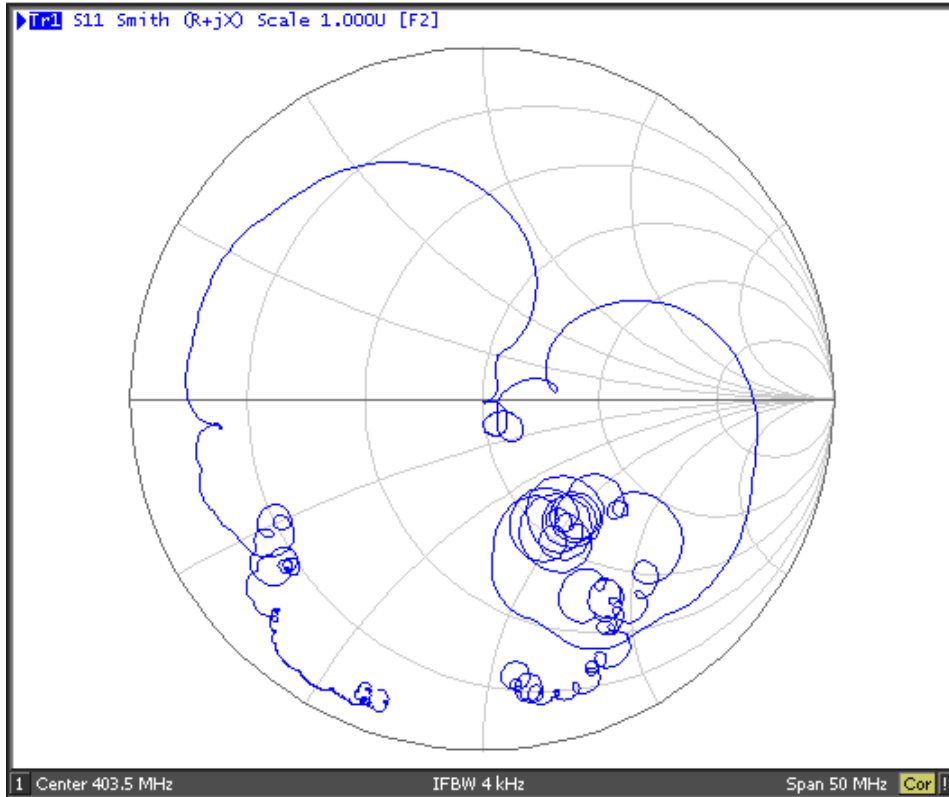
**F. FREQUENCY CHARACTERISTICS:**



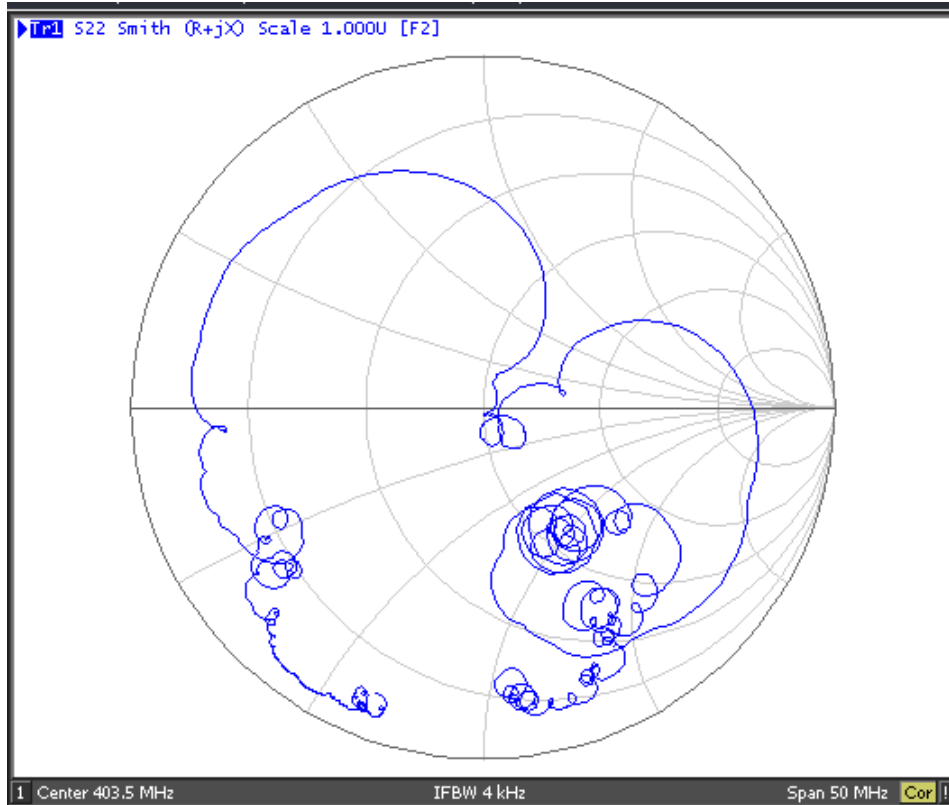
**SAW Filter 404.0MHz**  
**Part No: MP05063**

**Model: TA1347A**  
**Rev No: 2**

S11



S22

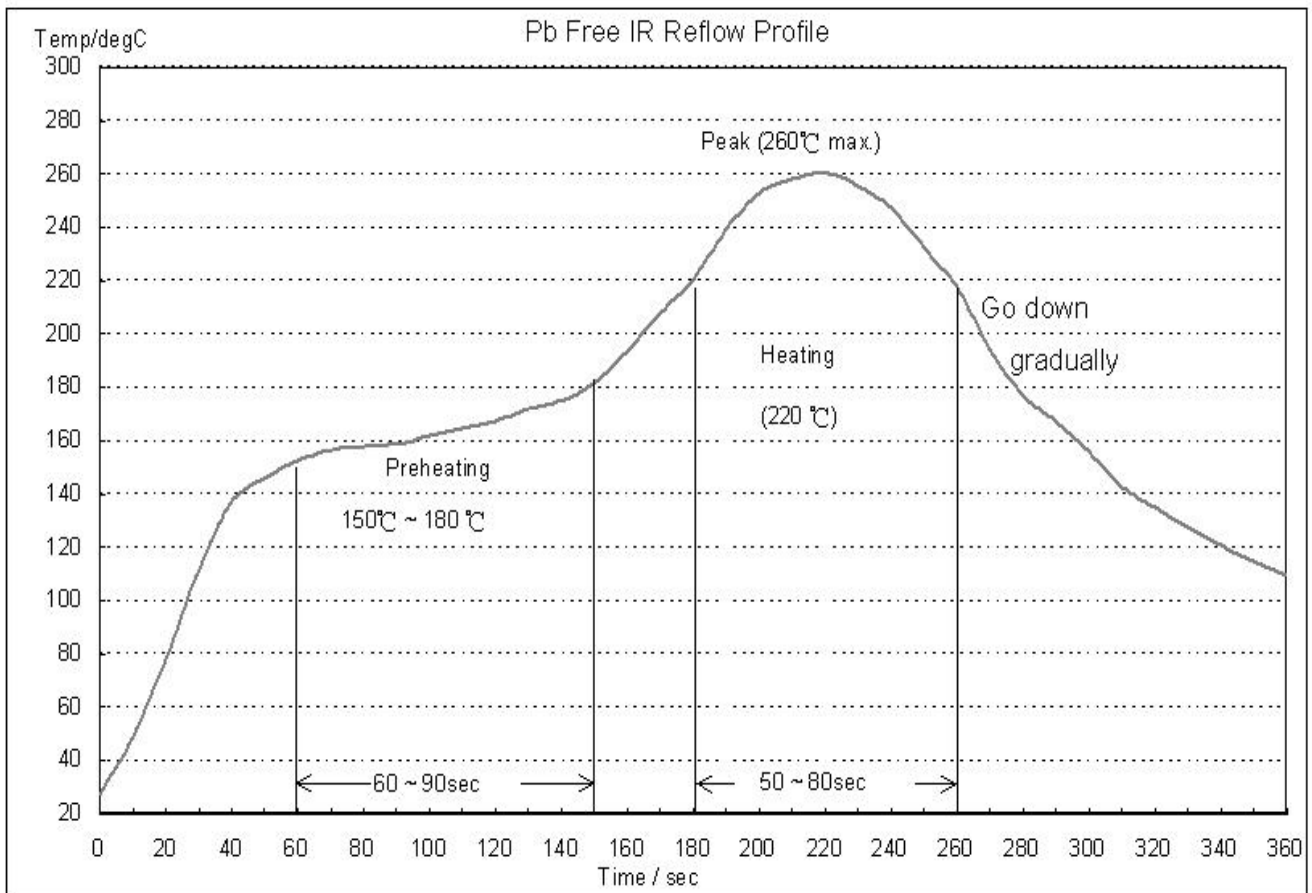


**SAW Filter 404.0MHz**  
**Part No: MP05063**

**Model: TA1347A**  
**Rev No: 2**

**G. RECOMMENDED REFLOW PROFILE:**

1. Preheating shall be fixed at 150 ~ 180°C for 60 ~ 90 seconds.
2. Ascending time to preheating temperature 150°C shall be 30 seconds min.
3. Heating shall be fixed at 220°C for 50 ~ 80 seconds and at 250 ± 10°C peak (max. 10sec).
4. Time: 2 times

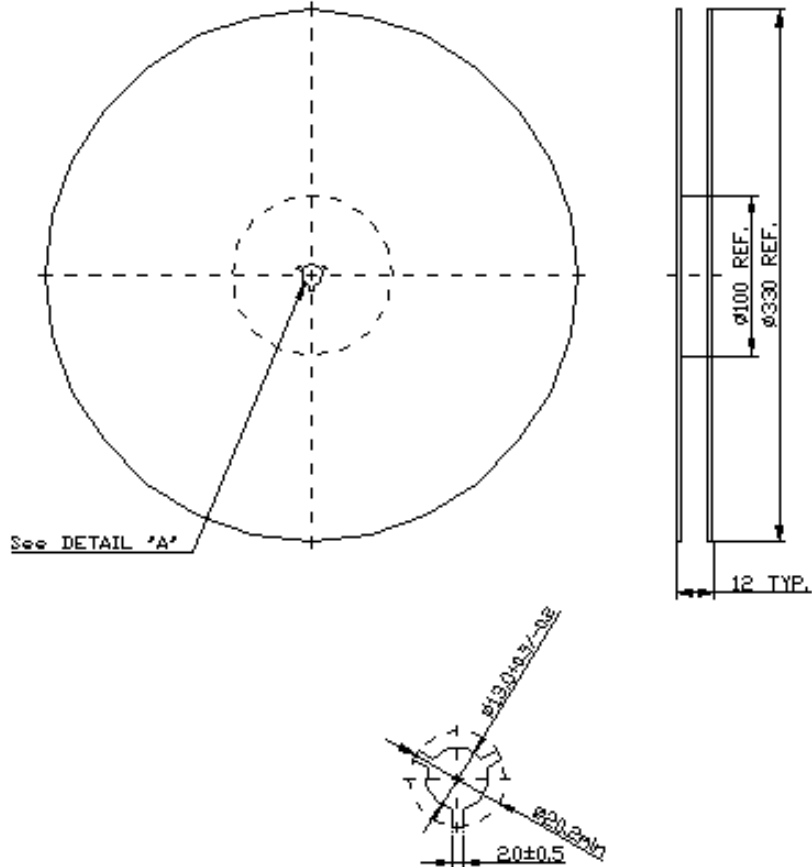


**SAW Filter 404.0MHz**  
**Part No: MP05063**

**Model: TA1347A**  
**Rev No: 2**

**H. PACKING:**

1. Reel Dimension



2. Tape Dimension

