

**SAW Filter 864.0MHz**

**Model: TA1622A**

**Part No: MP05098**

**REV NO: 1.0**

**A. MAXIMUM RATING:**

Electrostatic Sensitive Device

1. Input Power Level: 10dBm
2. DC Voltage: 6V
3. Operating Temperature: -40°C to +85°C
4. Storage Temperature: -40°C to +85°C

**B. ELECTRICAL CHARACTERISTICS:**

Item	Unit	Min.	Typ.	Max.
Center frequency Fc	MHz	-	864	-
3dB BW	MHz	-	2.0	-
Minimum insertion loss IL(min)				
Incl. loss of matching elements (Q = ?) *1)	dB	-	2.7	3.7
Exclude loss in matching elements *2)	dB	-	2.4	3.4
Passband (relative to IL min ) *1) 863.50 ~ 864.50MHz	dB	-	0.4	3.0
Attenuation (relative to IL min) *1)				
10.000 ~ 780.00MHz	dB	37	44	-
780.00 ~ 845.00MHz	dB	30	37	-
845.00 ~ 853.00MHz	dB	28	35	-
853.00 ~ 862.00MHz	dB	16	21	-
866.00 ~ 868.00MHz	dB	10	15	-
868.00 ~ 873.00MHz	dB	16	23	-
873.00 ~ 891.00MHz	dB	18	25	-
891.00 ~ 907.00MHz	dB	32	39	-
907.00 ~ 1000.0MHz	dB	34	41	-
1000.0 ~ 2000.0MHz	dB	44	51	
2000.0 ~ 2500.0MHz	dB	55	65	
Temperature coefficient (TCf)	ppm/c*2	-	0.032	-

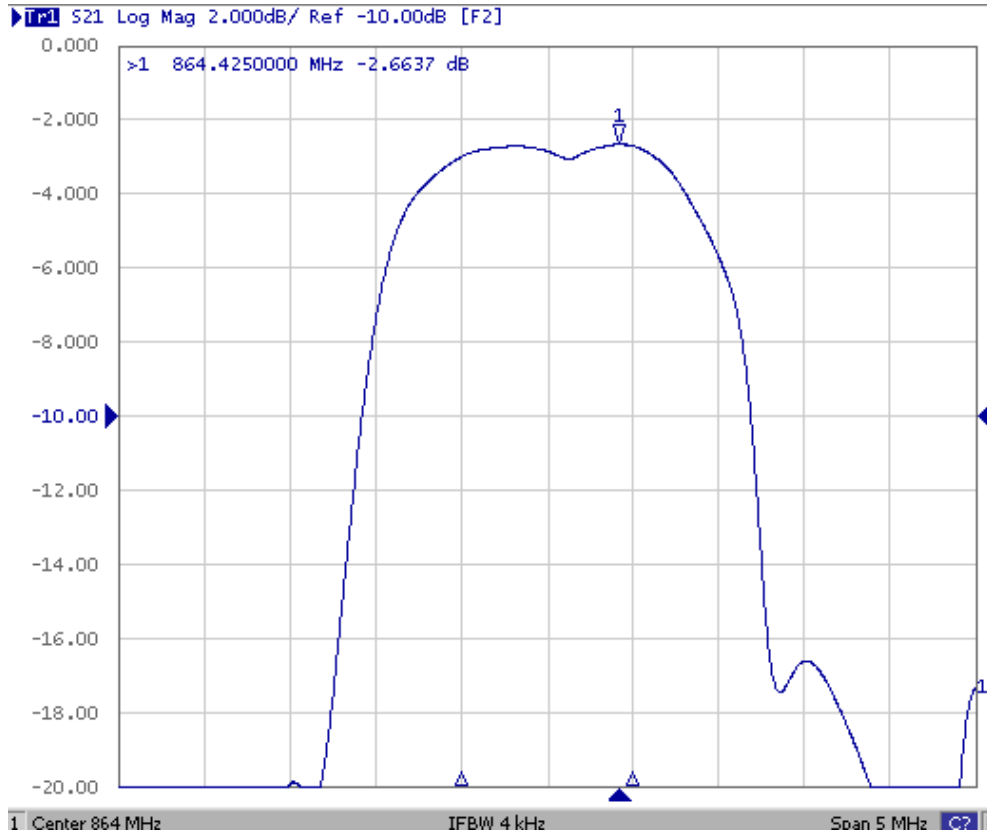
\*1) The matching circuit is real by actual passive components.  
 0805 Coillcraft CS series chip conductor is used for inductor.  
 0402 muRata GRM series is used for capacitor.

\*2) The matching circuit is ideal by simulation.

**SAW Filter 864.0MHz**  
**Part No: MP05098**

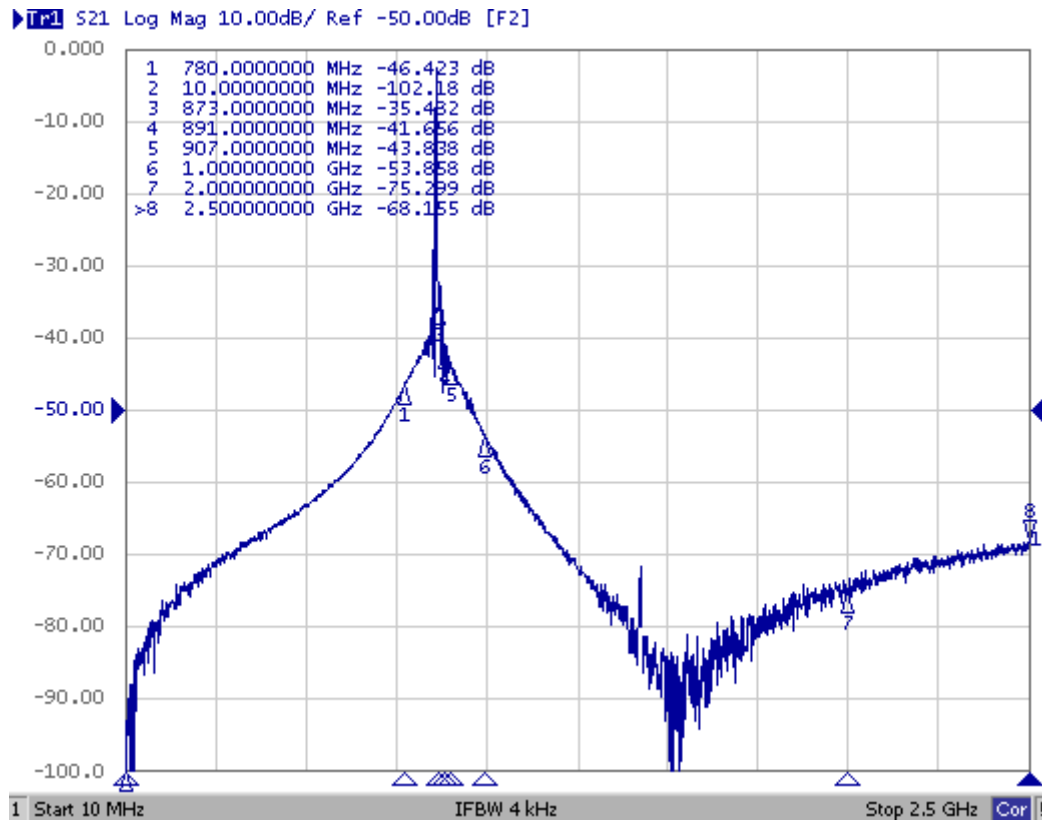
**Model: TA1622A**  
**REV NO: 1.0**

**C. FREQUENCY CHARACTERISTICS:**

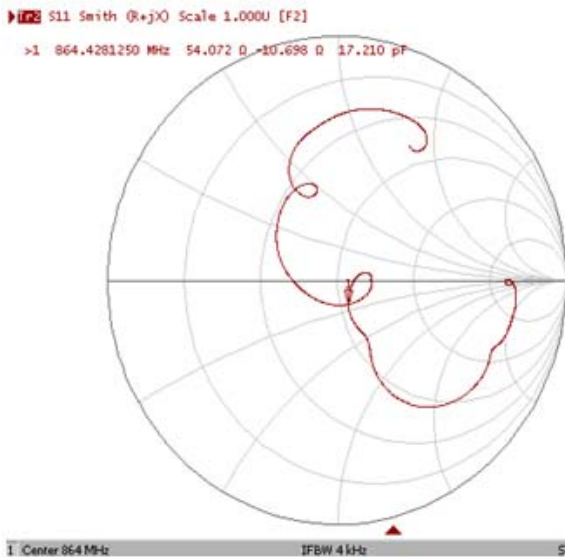


**SAW Filter 864.0MHz**  
**Part No: MP05098**

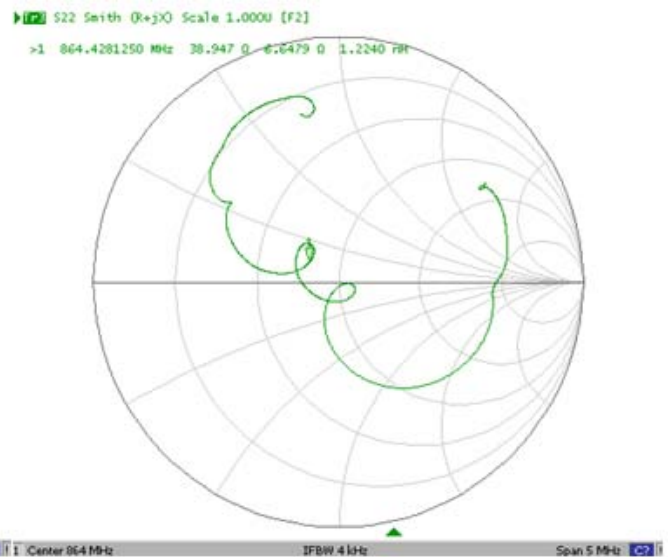
**Model: TA1622A**  
**REV NO: 1.0**



**S11 Smith**



**S22 Smith**



**SAW Filter 864.0MHz**

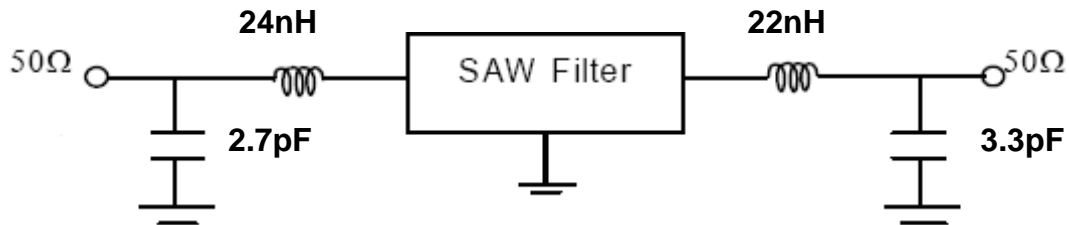
**Model: TA1622A**

**Part No: MP05098**

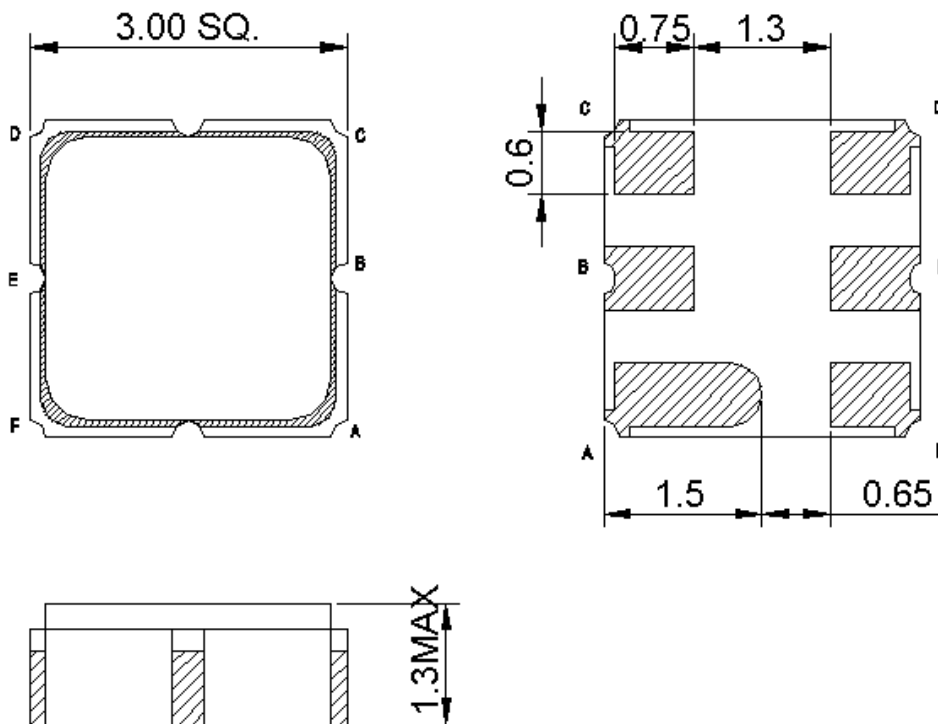
**REV NO: 1.0**

**D. MEASUREMENT CIRCUIT:**

The matching circuit is real by actual passive components.



**E. OUTLINE DRAWING \*2):**



- A : Input ground (recommended) or Input
- B : Input (recommended) or Input ground
- D : Output ground (recommended) or Output
- E : Output (recommended) or Output ground
- C、F: Case Ground

Unit: mm

\*3) The recommended pin configuration offers better suppression of electrical crosstalk.