

SAW Filter 2436.0MHz
Part No: MP05118

Model: TA1218A
Rev No: 3

A. MAXIMUM RATING:

Electrostatic Sensitive Device (ESD)

1. Input Power Level: 17dBm
2. DC Voltage: 3V
3. Operating Temperature: -30°C to +85°C
4. Storage Temperature: -40°C to +85°C

B. ELECTRICAL CHARACTERISTICS:

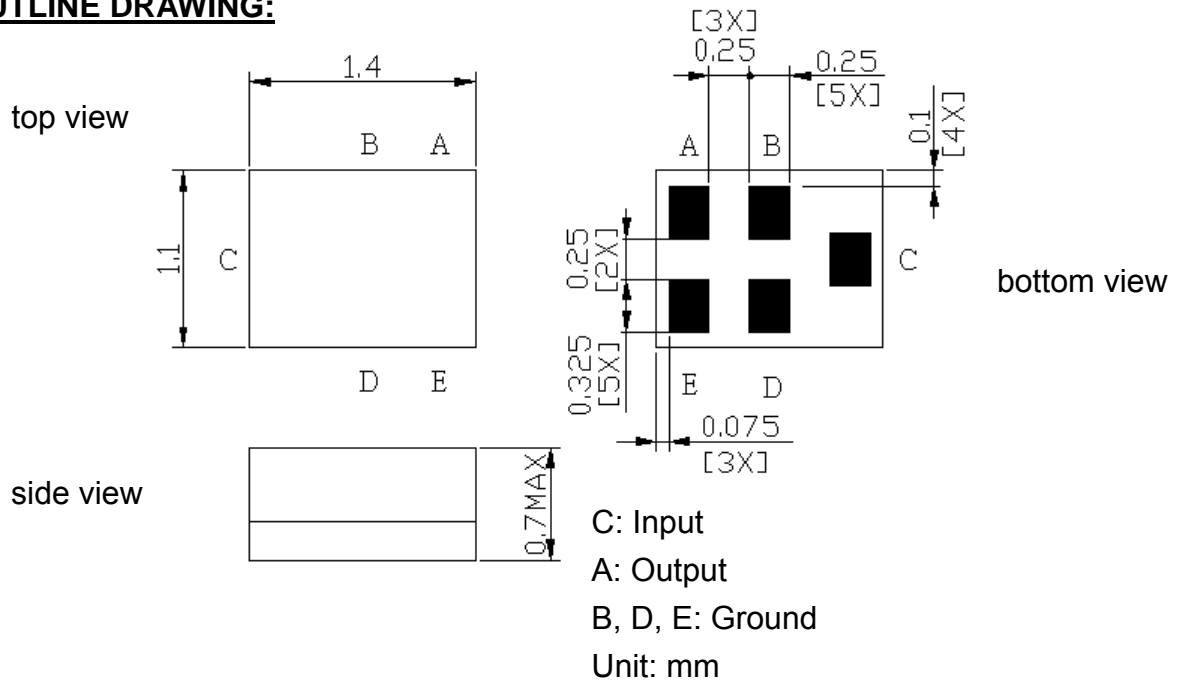
1. Terminating source impedance: $Z_S = 50\Omega$
2. Terminating load impedance: $Z_L = 50\Omega$

Item	Unit	Min.	Typ.	Max.	Note
Center Frequency Fc	MHz	-	2436	-	-
Insertion Loss (2400 ~ 2472MHz) at 25°C IL	dB	-	3	3.5	-
Insertion Loss (2400 ~ 2472MHz)	dB	-	3.5	4.4	-
Amplitude ripple (2400 ~ 2472MHz) at 25°C	dB	-	1.5	2.1	-
Amplitude ripple (2400 ~ 2472 MHz)	dB	-	2	3.3	-
VSWR (2400 ~ 2472 MHz)		-	2.1	2.5	-
Attenuation (Reference level from 0dB)					
DC ~60MHz	dB	25	35	-	-
960 ~ 1580MHz	dB	25	33	-	-
1710 ~ 1990MHz	dB	25	34	-	-
2110 ~ 2170MHz	dB	28	37	-	-
2496 ~ 2690MHz at 25°C	dB	30	40	-	-
2496 ~ 2690MHz	dB	10	20	-	-
2690 ~ 4800MHz	dB	25	44	-	-
4800 ~ 5000MHz	dB	20	36	-	-
5000 ~ 6000MHz	dB	15	31	-	-
Temperature Coefficient of Frequency	ppm/°C	-	-36	-	-

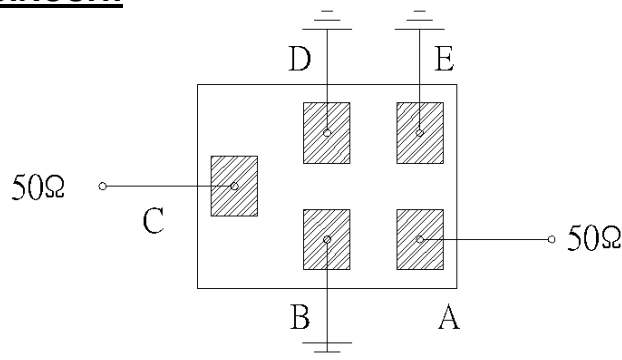
SAW Filter 2436.0MHz
Part No: MP05118

Model: TA1218A
Rev No: 3

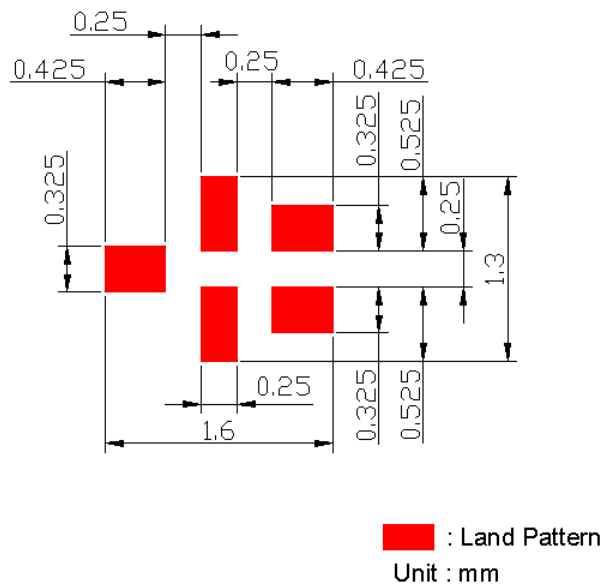
C. OUTLINE DRAWING:



D. MEASUREMENT CIRCUIT:



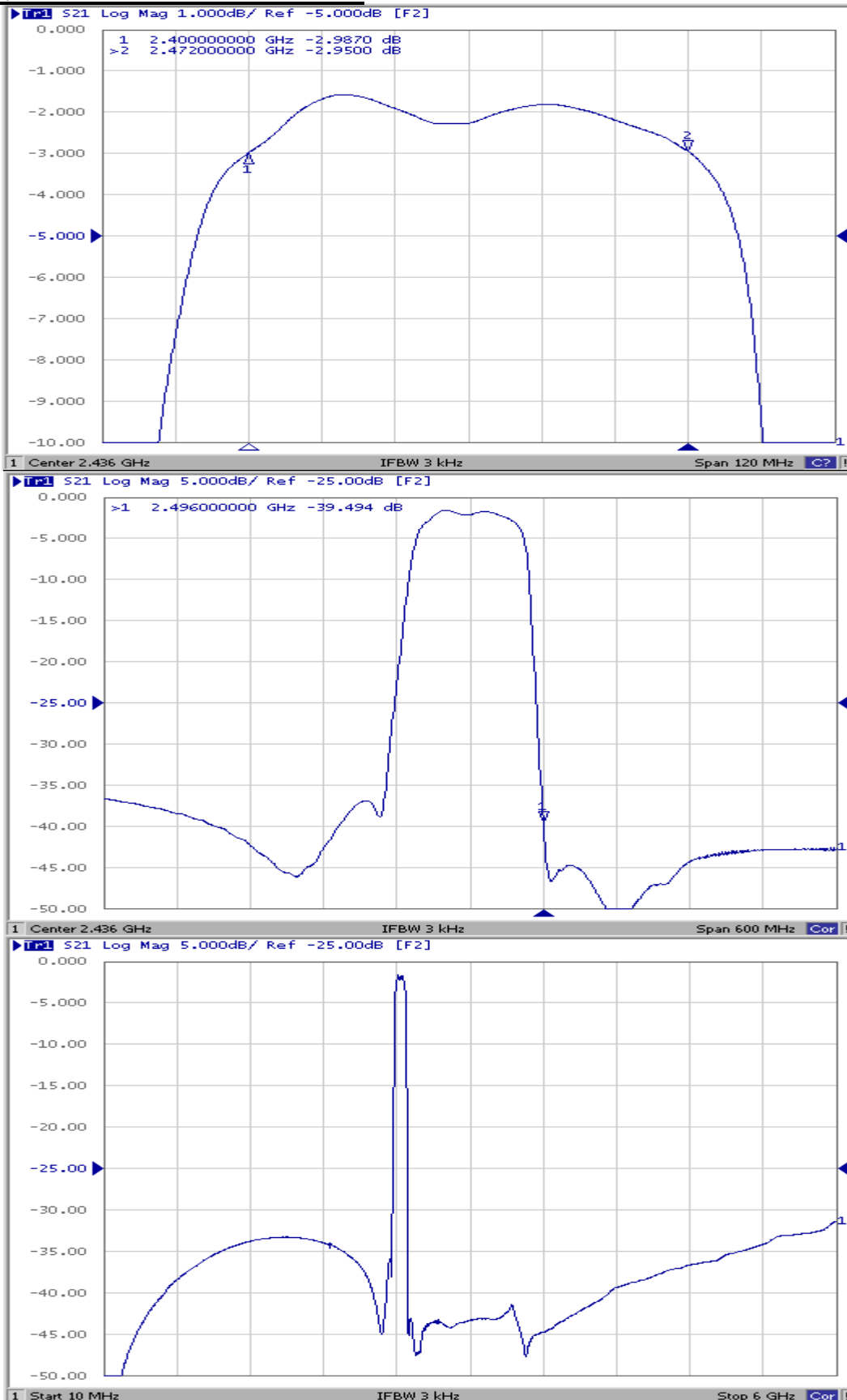
E. PCB FOOTPRINT:



SAW Filter 2436.0MHz
Part No: MP05118

Model: TA1218A
Rev No: 3

F. FREQUENCY CHARACTERISTICS:

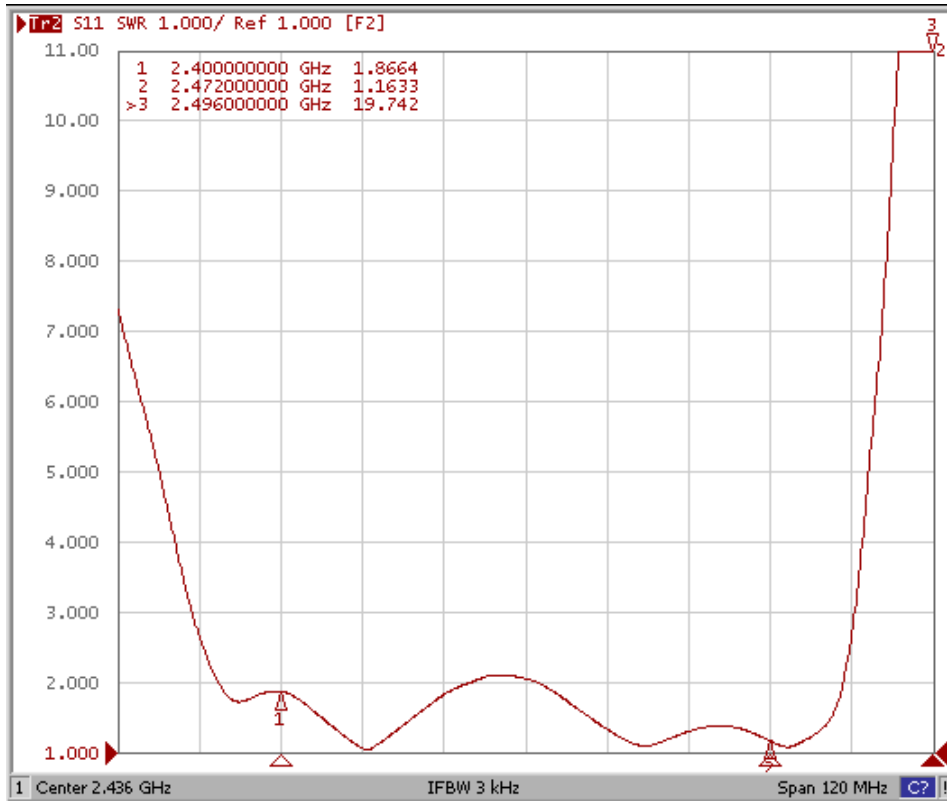


SAW Filter 2436.0MHz
Part No: MP05118

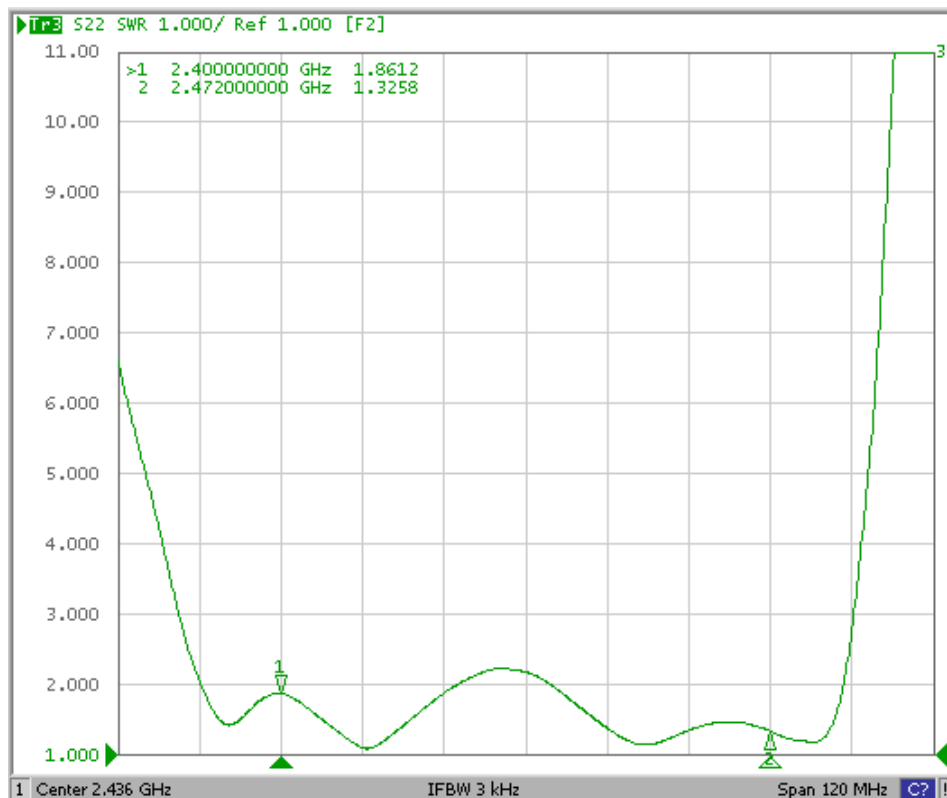
Model: TA1218A
Rev No: 3

Reflection Functions

S11



S22



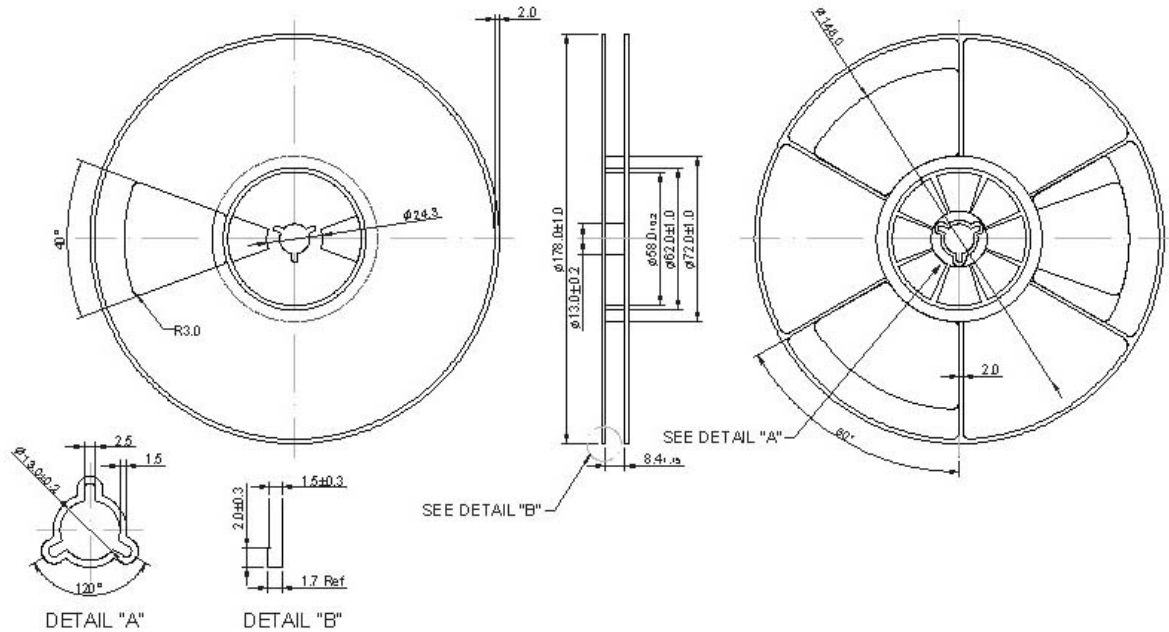
SAW Filter 2436.0MHz
Part No: MP05118

Model: TA1218A
Rev No: 3

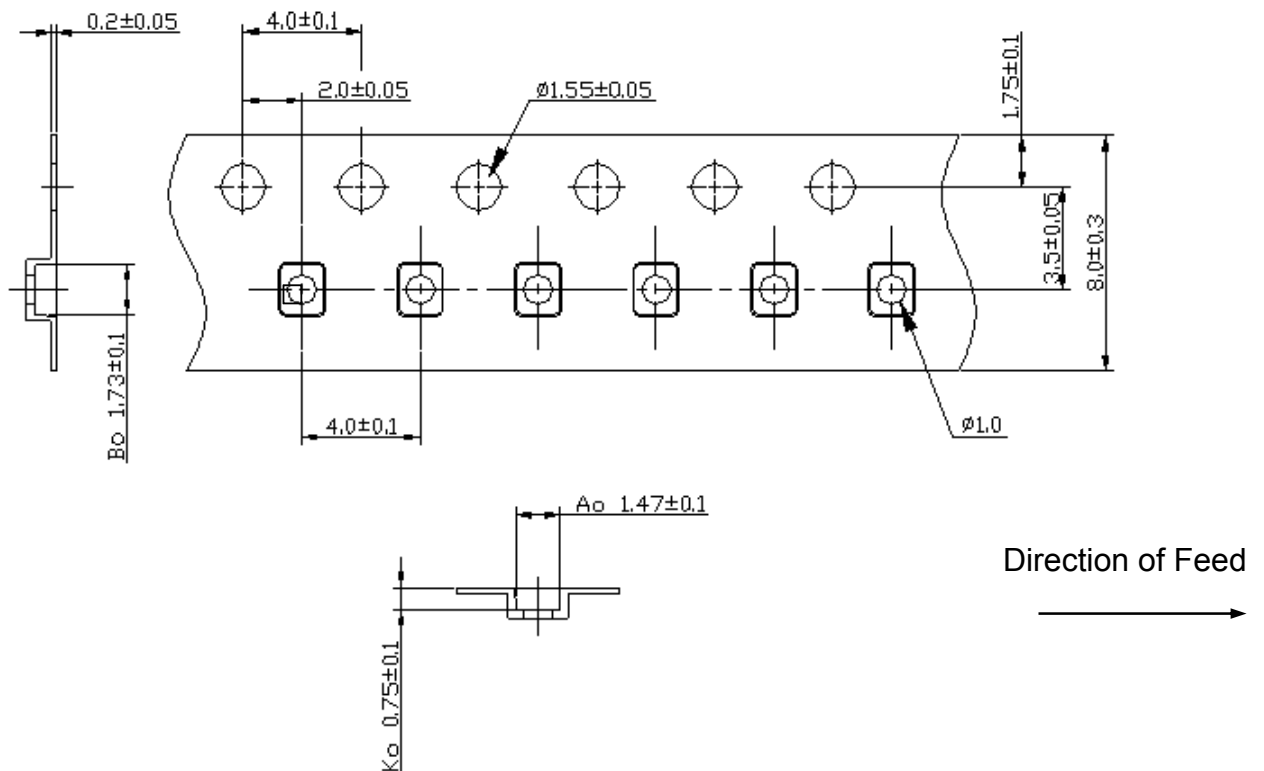
G. PACKING:

1. Reel Dimension

(Please refer to FR-75D10 for packing quantity)



2. Tape Dimension



SAW Filter 2436.0MHz
Part No: MP05118

Model: TA1218A
Rev No: 3

H. RECOMMENDED REFLOW PROFILE:

1. Preheating shall be fixed at 150 ~ 180°C for 60 ~ 90 seconds.
2. Ascending time to preheating temperature 150°C shall be 30 seconds min.
3. Heating shall be fixed at 220°C for 50 ~ 80 seconds and at 250 ± 10°C peak (max. 10sec).
4. Time: 2 times.

