

SAW Resonator 315.0MHz
Part No: MP05119

Model: TC0437A
Rev No: 2

A. FEATURES:

Electrostatic Sensitive Device

One - Port Resonator

B. MAXIMUM RATING:

1. Input Power Level: 10dBm
2. DC voltage: 5V
3. Operating Temperature: -40°C to +85°C
4. Storage Temperature: -40°C to +85°C

C. ELECTRICAL CHARACTERISTICS:

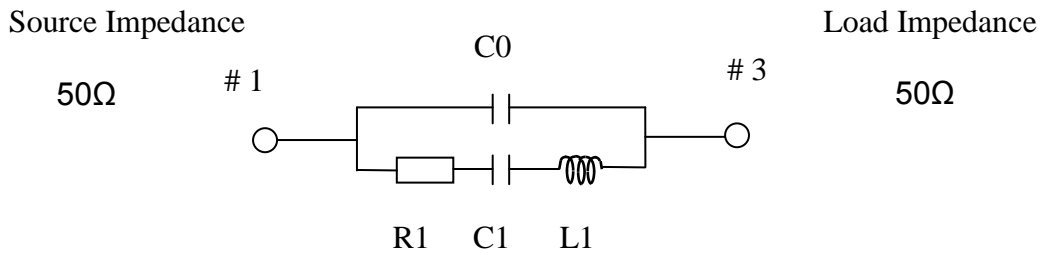
Characteristic	Units	Min.	Typ.	Max.
Center frequency Fr	MHz	314.925	315	315.075
Insertion Loss IL	dB	-	1.36	2.0
Equivalent Elements				
Motional capacitance C1	fF	-	2.53	-
Motional inductance L1	µH	-	101.09	-
Motional resistance R1	Ohm	-	16.73	-
Parallel capacitance Co	pF	-	4.25	-
Temp. coeff.	ppm/c*2	-	0.032	-
Turnover To	deg. C	-	25	-
Package size	SMD 5.0 X 3.5 X 1.4mm			

SAW Resonator 315.0MHz
Part No: MP05119

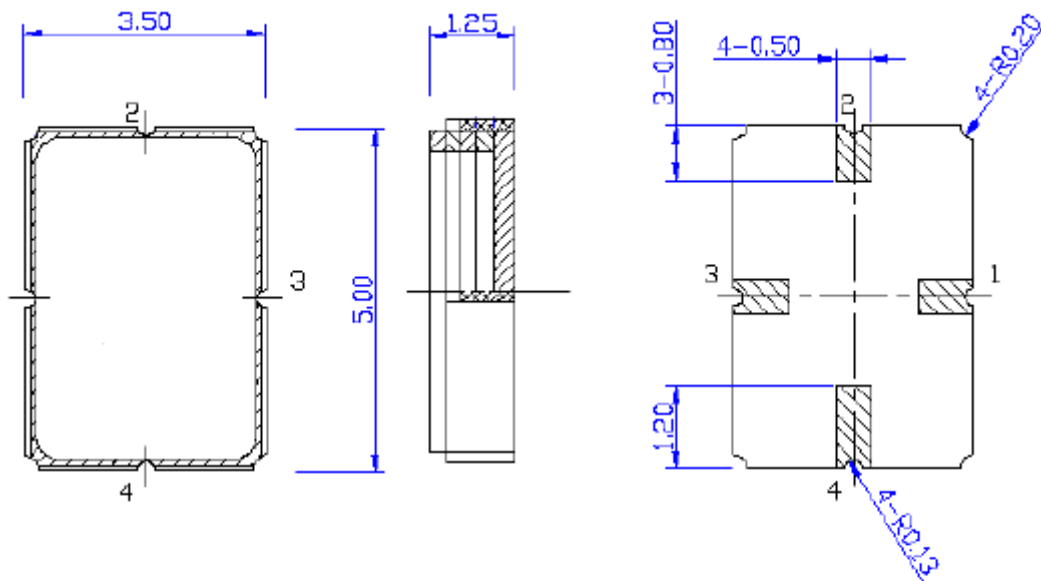
Model: TC0437A
Rev No: 2

D. EQUIVARENT CIRCUIT:

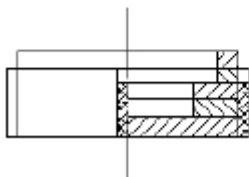
One-Port Resonator:



E. OUTLINE DRAWING:



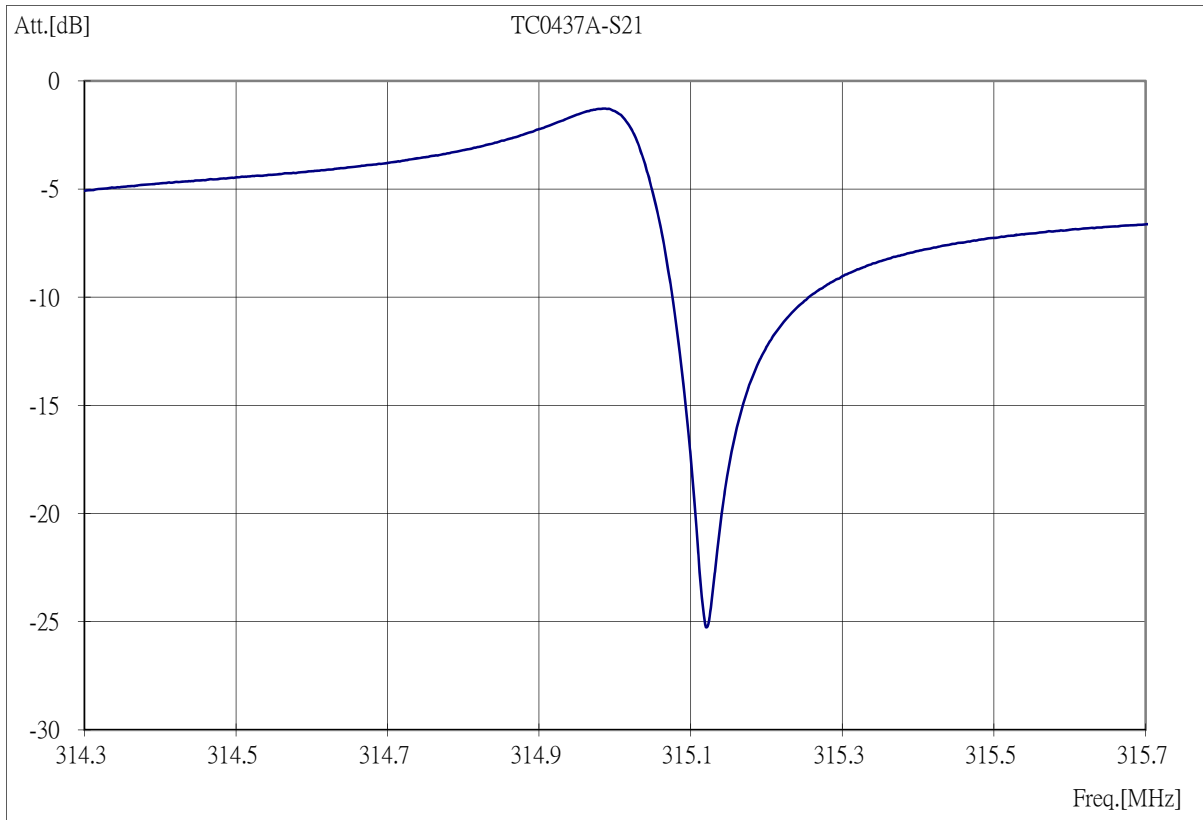
Pin 1 : Input
Pin 3 : Output
Pin 2,4 : Ground



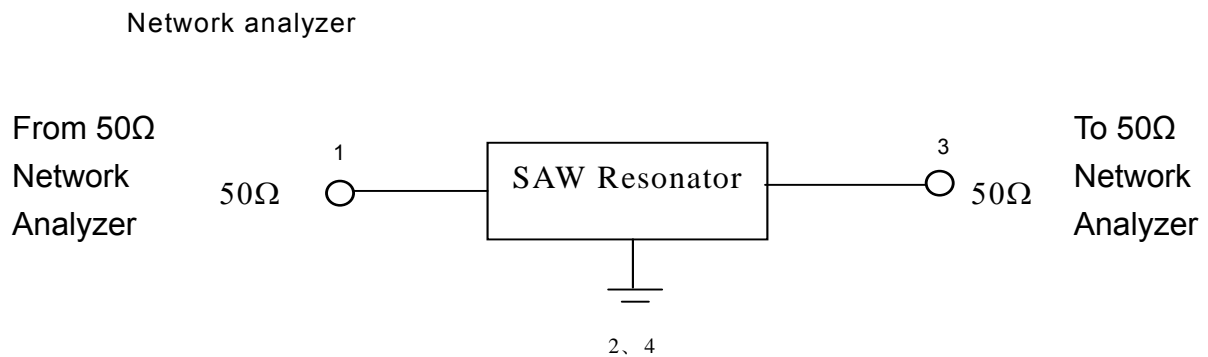
SAW Resonator 315.0MHz
Part No: MP05119

Model: TC0437A
Rev No: 2

F. FREQUENCY CHARACTERISTICS:



G. TEST CIRCUIT:

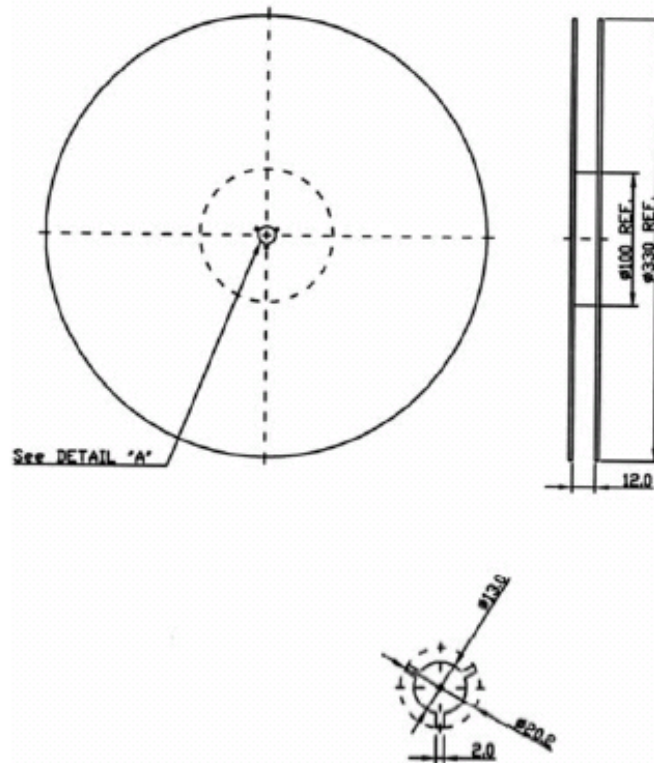


SAW Resonator 315.0MHz
Part No: MP05119

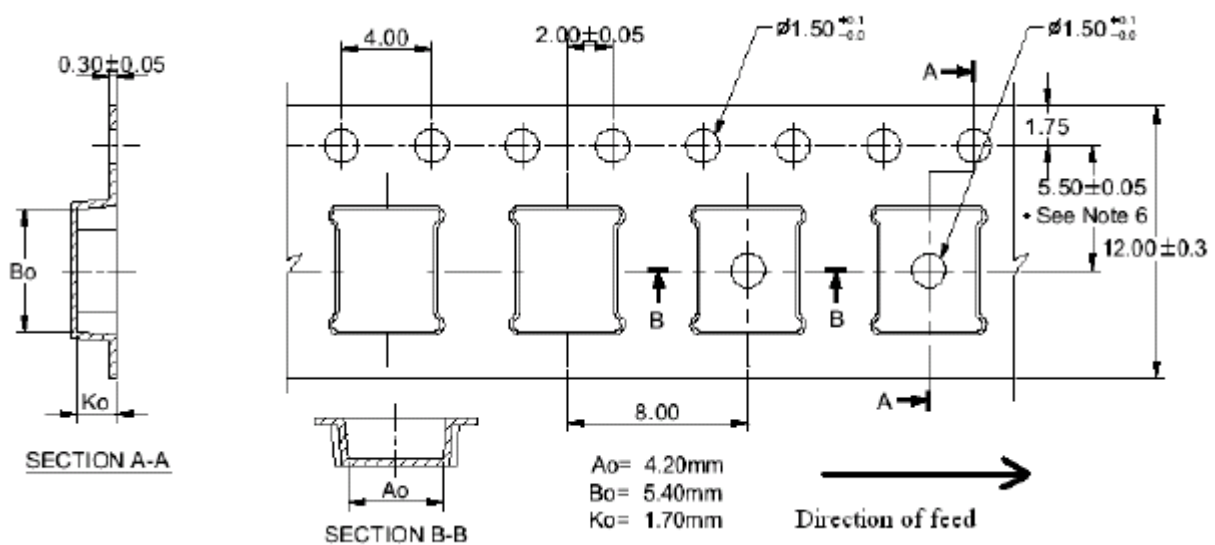
Model: TC0437A
Rev No: 2

H. PACKING:

1. Reel Dimension



2. Tape Dimension



SAW Resonator 315.0MHz
Part No: MP05119

Model: TC0437A
Rev No: 2

I. RECOMMENDED REFLOW PROFILE:

