

SAW Filter 184.320MHz
Part No: MP05166

Model: TB0995A
Rev No: 1

A. MAXIMUM RATING:

Electrostatic Sensitive Device

1. Operating temperature range: -30°C to 85°C
2. Storage temperature range: -40°C to 85°C
3. Input Power Level: 15dBm
4. Maximum DC Voltage: 10V

B. CHARACTERISTICS:

Ambient Temperature: 25°C

Item	Unit	Min.	Typ.	Max.
Center frequency Fc	MHz	-	184.32	-
Insertion Loss IL	dB	-	5.2	8.0
-1dB bandwidth	MHz	-	4.4	-
VSWR Fc ± 1.5MHz	MHz	-	2.0	2.4
Passband Ripple Fc ± 2.5MHz	dB	-	1.6	2.0
Attenuation: (Reference level from Min IL)				
10MHz ~ 176.82MHz	dB	30	37	
191.82MHz ~ 284.32MHz	dB	30	39	
Temperature Coefficient	ppm/°C	-	-18	-
Source Impedance	Ohm	-	50	-
Load Impedance	Ohm	-	50	-

Note: Electrical characteristics shall be calculated with ideal capacitor and inductor.

SAW Filter 184.320MHz
Part No: MP05166

Model: TB0995A
Rev No: 1

C. FREQUENCY CHARACTERISTICS:

1. Wide band Response: (span 100MHz)

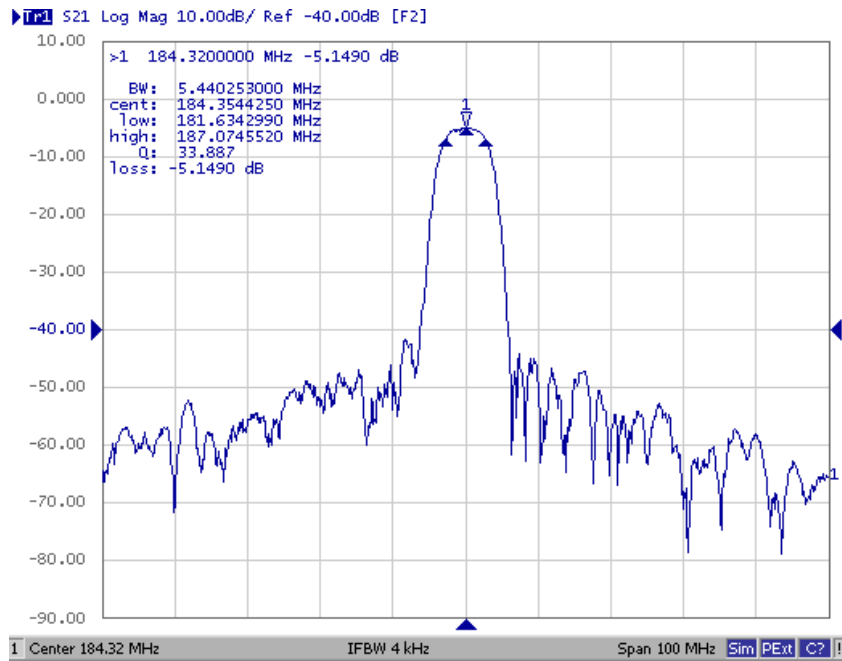


Fig. 1. Horizontal: 10MHz / Div, Vertical: 10Db / Div

2. Pass band Response and Group Time Delay Response:

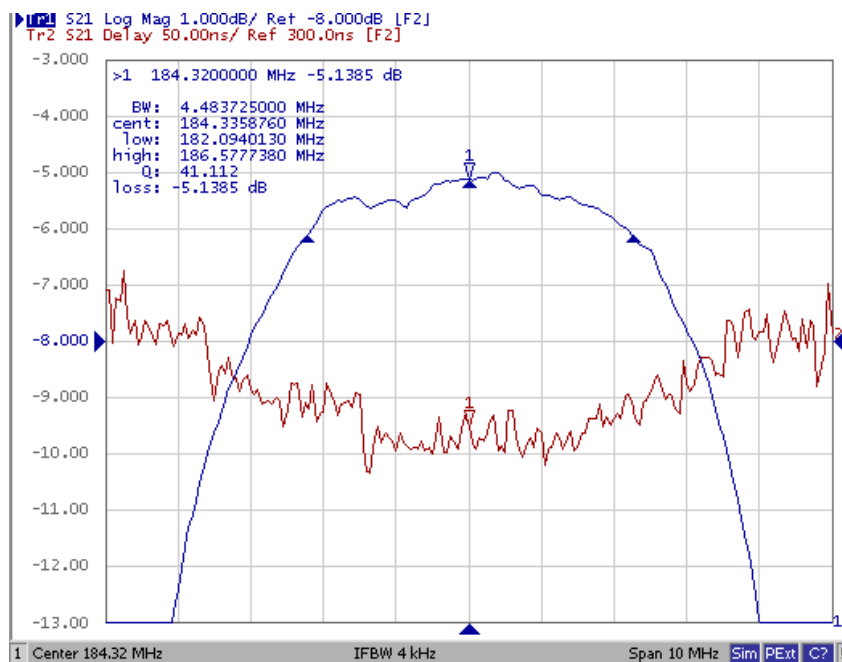
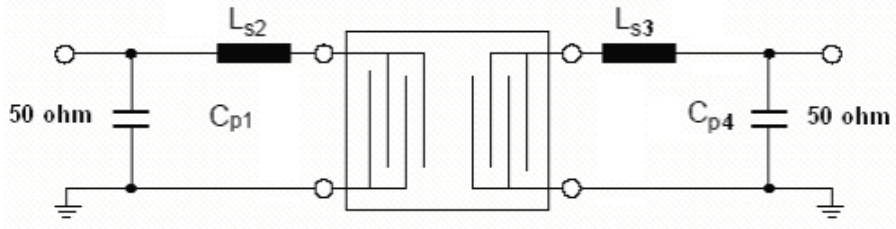


Fig. 2. Horizontal: 1MHz / Div, Vertical: 1dB / Div, Vertical: 50ns / Div

SAW Filter 184.320MHz
Part No: MP05166

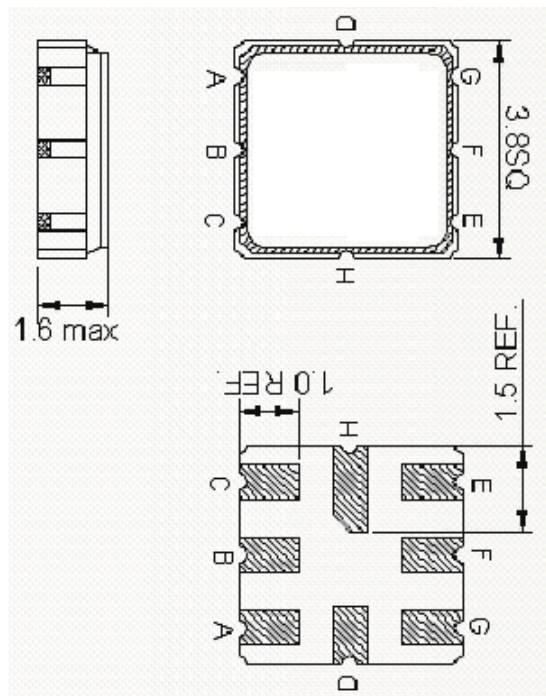
Model: TB0995A
Rev No: 1

D. MATCHING CIRCUIT:



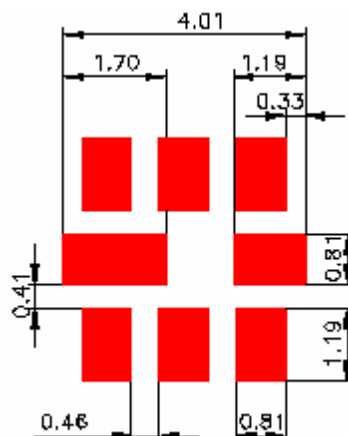
$L_{s2} = 125\text{nH}$ $L_{s3} = 110\text{nH}$ $C_{p1} = 27\text{pF}$ $C_{p4} = 24\text{pF}$

E OUTLINE DRAWING:



A: Input
 E: Output
 B, C, D, F, G, H: Ground
 Unit: mm

F. PCB FOOTPRINT:

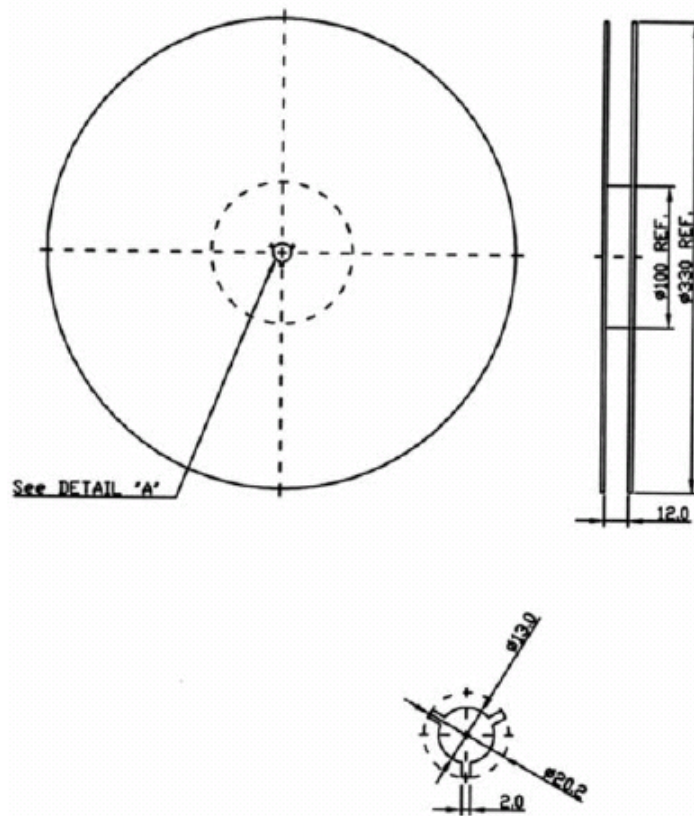


SAW Filter 184.320MHz
Part No: MP05166

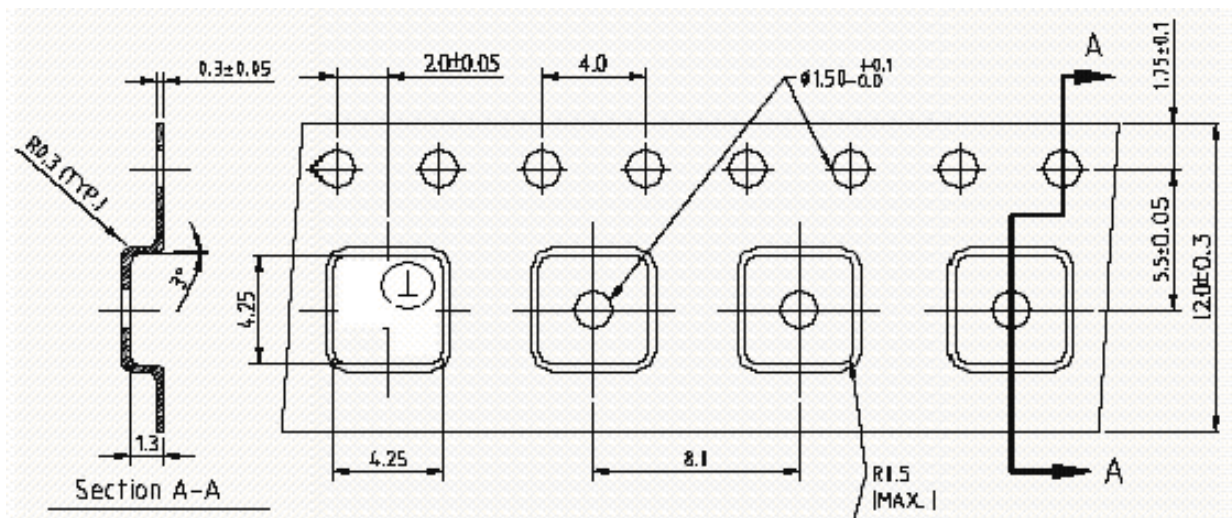
Model: TB0995A
Rev No: 1

G. PACKING:

1. Reel Dimension



2. Tape Dimension



SAW Filter 184.320MHz
Part No: MP05166

Model: TB0995A
Rev No: 1

H. RECOMMENDED REFLOW PROFILE:

