

SAW Resonator: 640.0MHz
Part No: MP05183

Model: TC0597A
Rev No: 1

A. FEATURES:

Electrostatic Sensitive Device (ESD)

One-Port Resonator

B. MAXIMUM RATING:

1. Input Power Level: 10dBm
2. DC voltage: 3V
3. Operating Temperature: -40°C to +85°C
4. Storage Temperature: -40°C to +85°C

C. ELECTRICAL CHARACTERISTICS:

Reference Temperature $T_A = 25^\circ\text{C}$

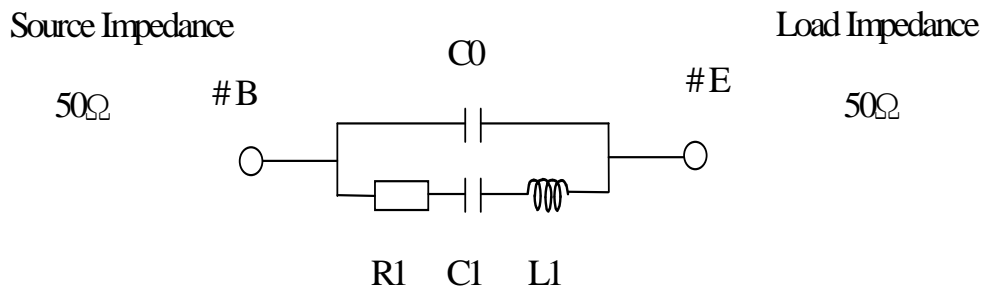
Characteristic	Unit	Min.	Typ.	Max.
Center frequency F_r	MHz	639.928	639.963	639.998
Insertion Loss IL	dB	-	1.3	2.5
Equivalent Elements				
Motional capacitance C1	fF	-	1.29	-
Motional inductance L1	μH	-	47.3	-
Motional resistance R1	Ohm	-	16	-
Parallel capacitance C_o	pF	-	2.68	-
Frequency Aging Absolute Value during the First Year	ppm/yr		± 10	
Temp. coeff.	ppm/ $^\circ\text{C}^2$	-	-0.032	-
Turnover T_o	deg.C	20	35	50
Package size	SMD 3.0X3.0X1.4mm			

SAW Resonator: 640.0MHz
Part No: MP05183

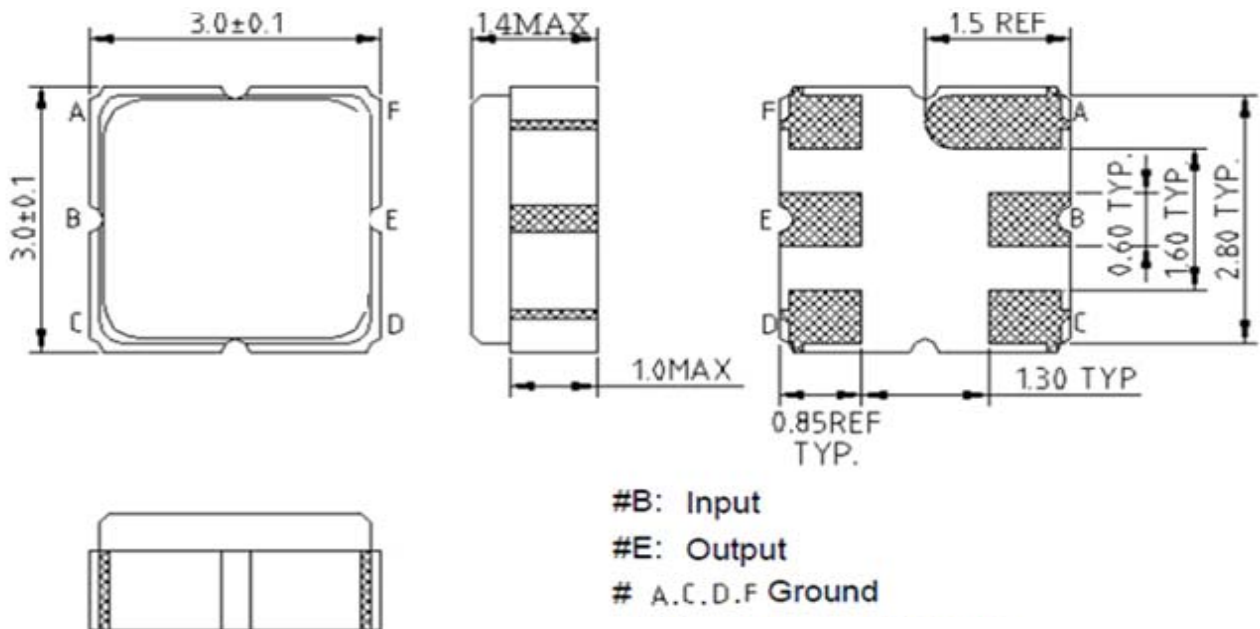
Model: TC0597A
Rev No: 1

D. EQUIVALENT CIRCUIT:

One-Port Resonator:



E. OUTLINE DRAWING:



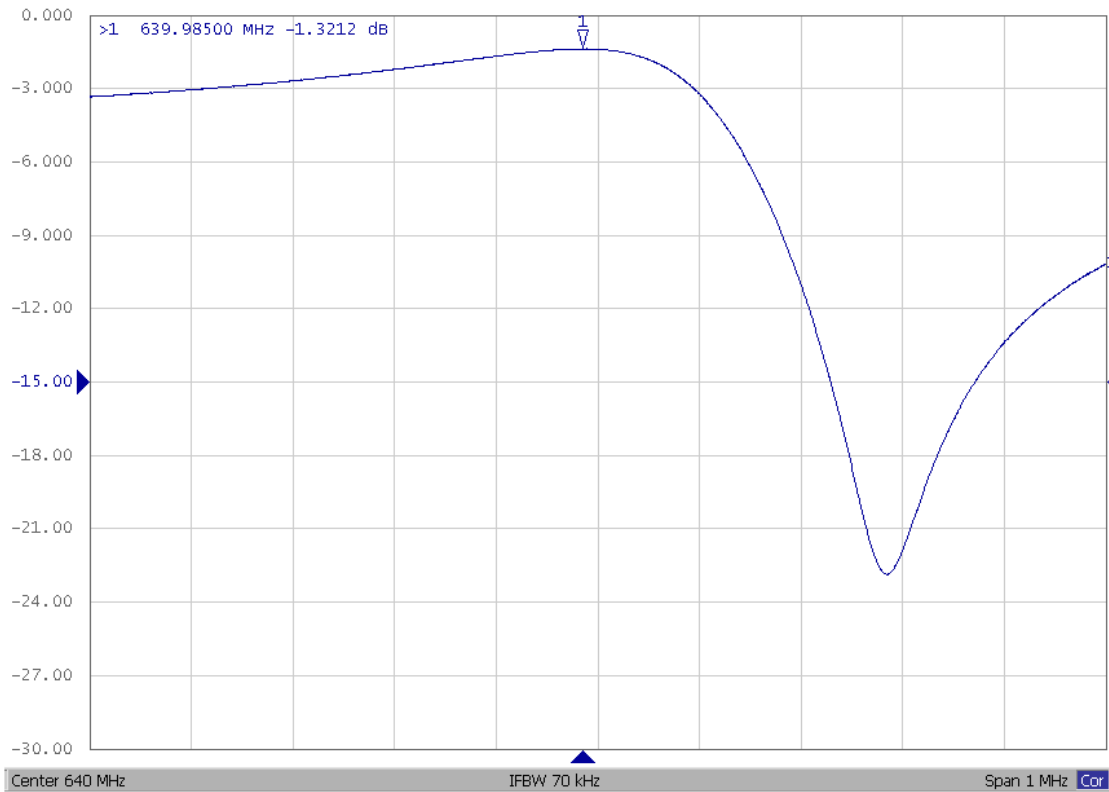
#B: Input
 #E: Output
 # A.C.D.F Ground

Unit: mm

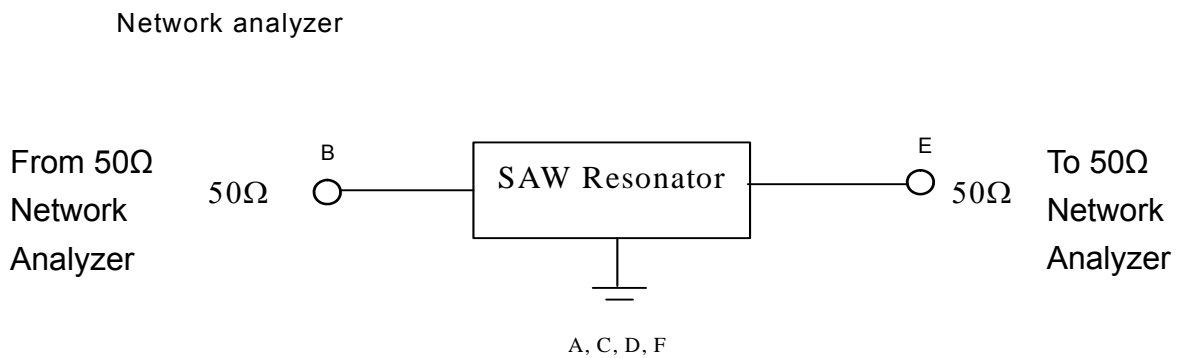
SAW Resonator: 640.0MHz
Part No: MP05183

Model: TC0597A
Rev No: 1

F. FREQUENCY CHARACTERISTICS:



G. TEST CIRCUIT:



SAW Resonator: 640.0MHz
Part No: MP05183

Model: TC0597A
Rev No: 1

I. RECOMMENDED REFLOW PROFILE:

