

SAW Filter 922.0MHz
Part No: MP05198

Model: TA1246A
Rev No: 1

A. MAXIMUM RATING:

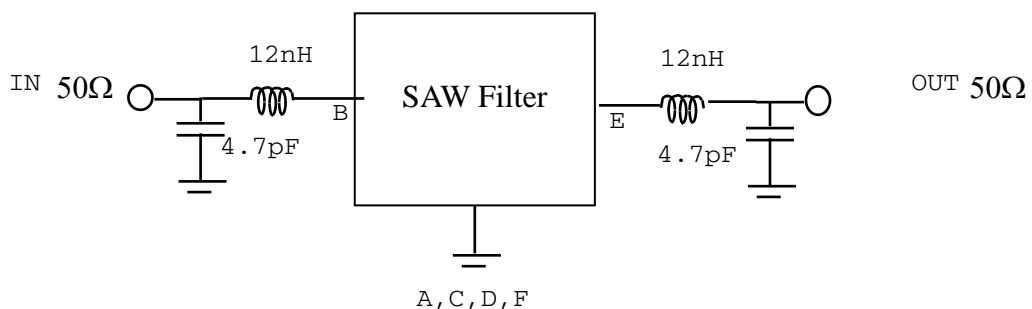
1. Input Power Level: 10dBm
2. DC voltage: 12V
3. Operating Temperature: -40°C to +85°C
4. Storage Temperature: -40°C to +85°C

B. ELECTRICAL CHARACTERISTICS:

Item	Unit	Min.	Typ.	Max.
Center frequency Fc	MHz	-	922	-
Insertion loss IL (min)	dB	-	3.6	5.5
Pass bandwidth (relative to IL) BW3	kHz		2000	-
Attenuation (Reference level from 0dB)				
At Fc -21.4MHz	dB	43	50	-
At Fc -10.7MHz	dB	27	33	-
Impedance at Fc, Input $Z_{IN} = R_{IN} // C_{IN} Z_S$	Ω	136.2 Ω // 3.3pF		
Impedance at Fc Output $Z_{OUT} = R_{OUT} // C_{OUT} Z_L$	Ω	136.2 Ω // 3.3pF		

C. MEASUREMENT CIRCUIT:

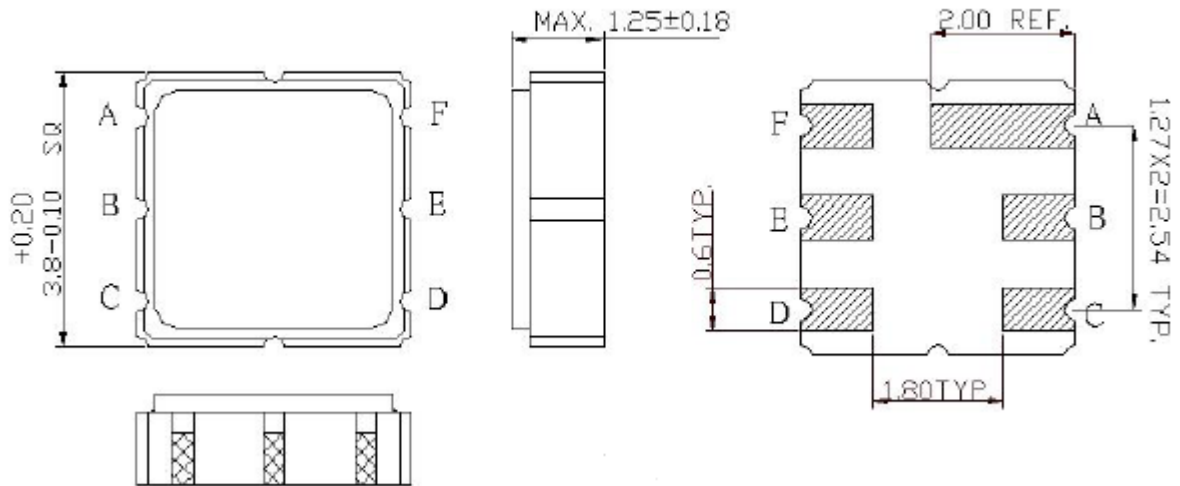
HP Network analyzer



SAW Filter 922.0MHz
Part No: MP05198

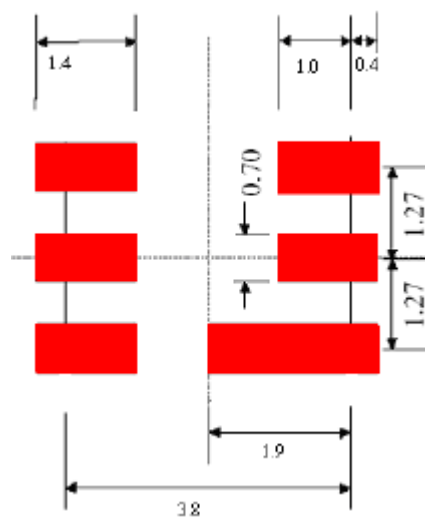
Model: TA1246A
Rev No: 1

D. OUTLINE DRAWING:



E: Input or Output
 B: Output or Input
 A, C, D, F: Ground
 Unit: mm

E. PCB FOOTPRINT:

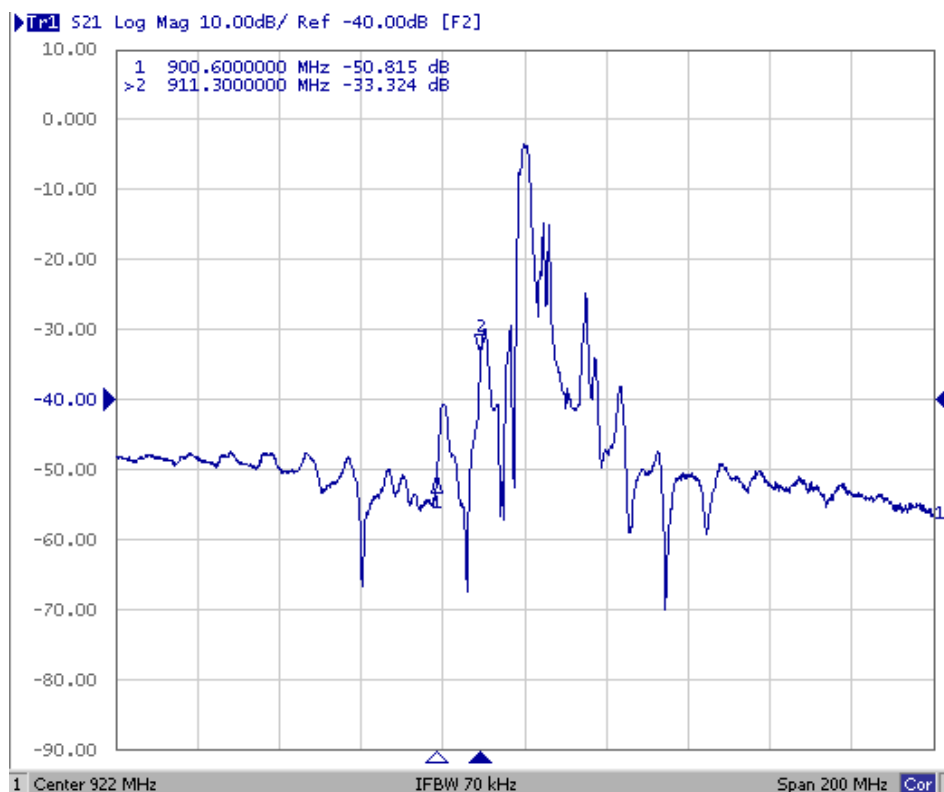
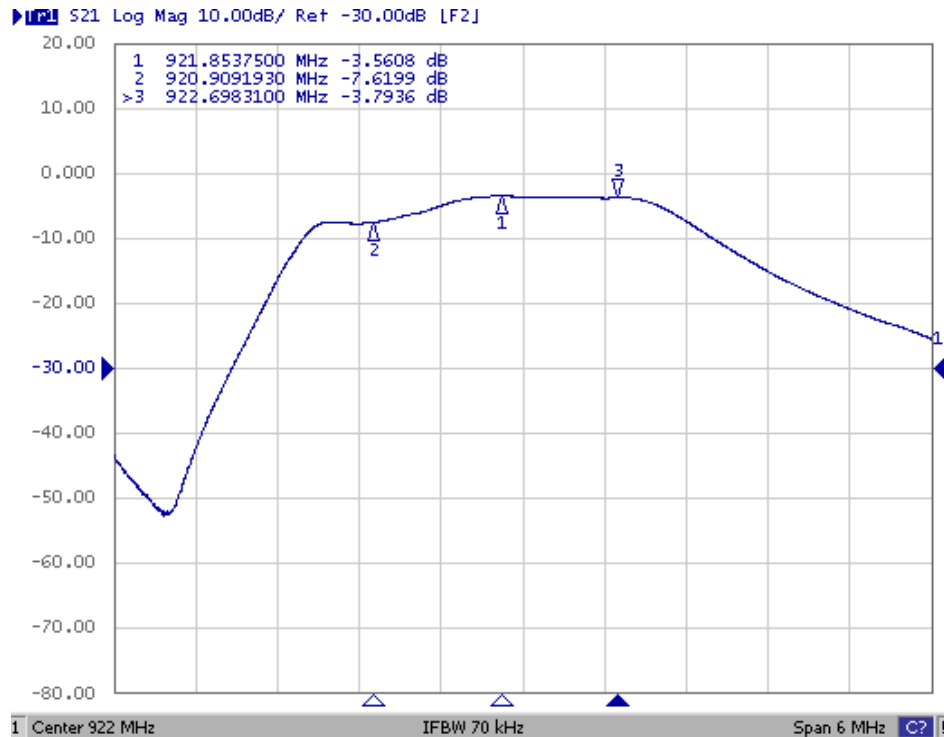


SAW Filter 922.0MHz
Part No: MP05198

Model: TA1246A
Rev No: 1

F. FREQUENCY CHARACTERISTICS:

1. Transfer function

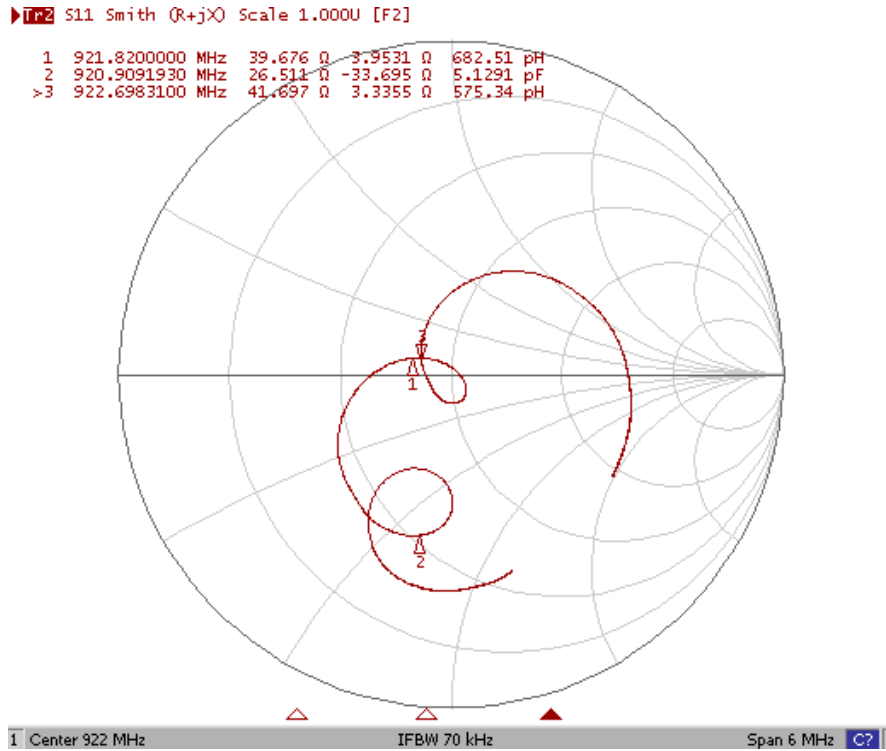


SAW Filter 922.0MHz
Part No: MP05198

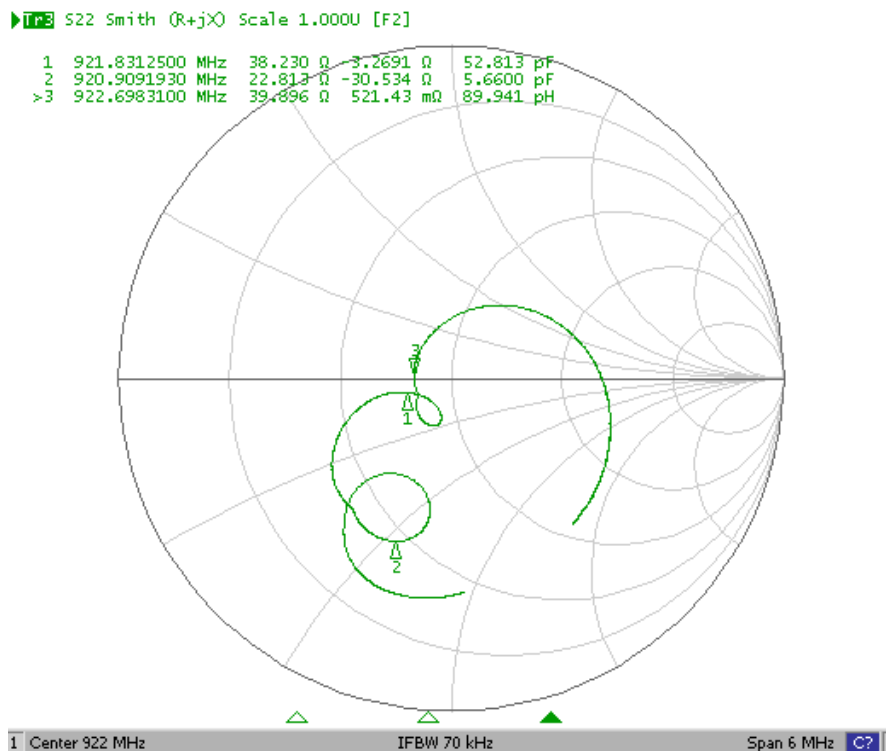
Model: TA1246A
Rev No: 1

2. Smith Chart:

S11



S22

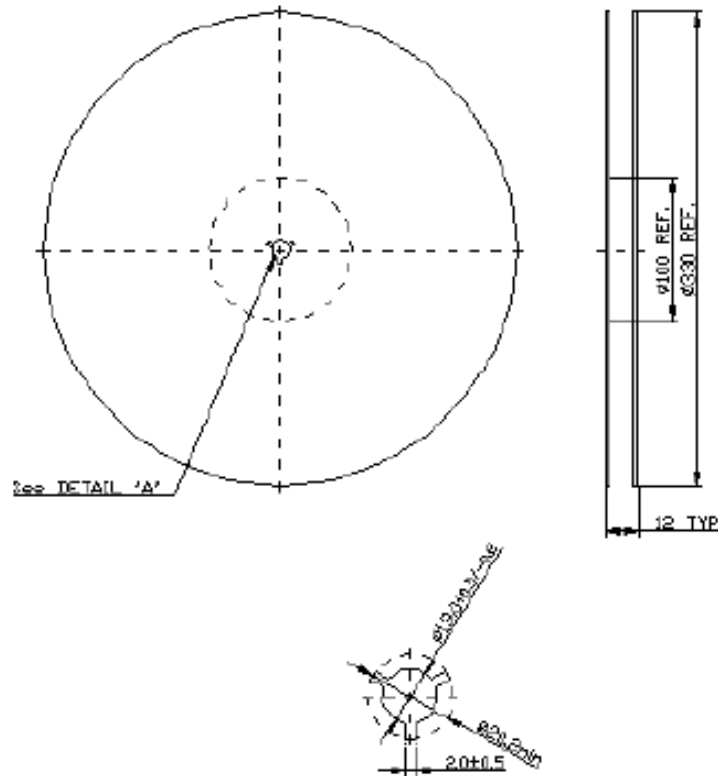


SAW Filter 922.0MHz
Part No: MP05198

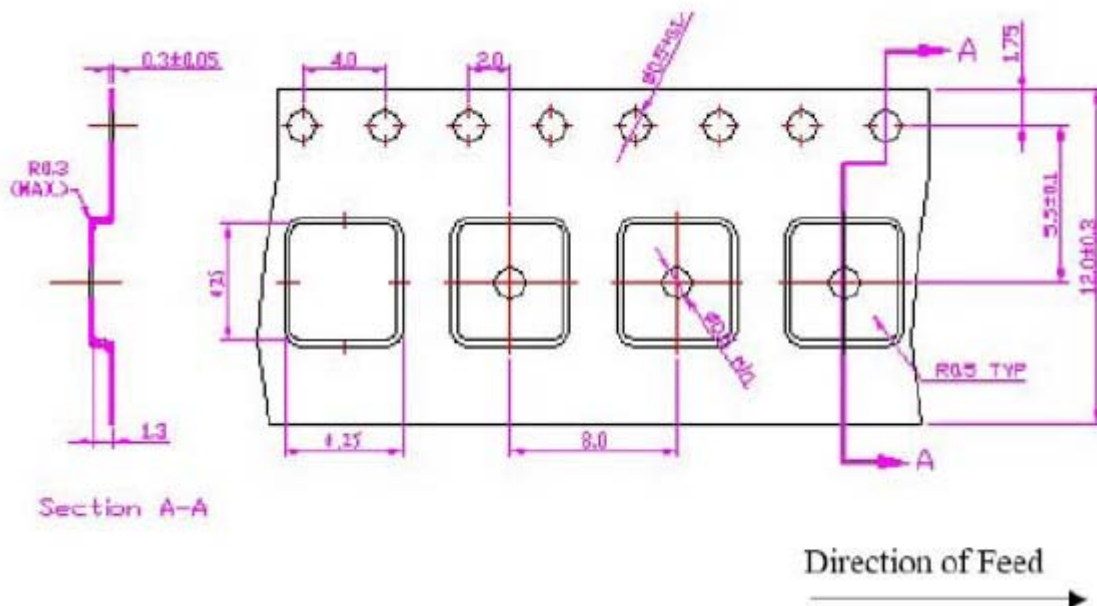
Model: TA1246A
Rev No: 1

G. PACKING:

1. Reel Dimension



2. Tape Dimension



SAW Filter 922.0MHz
Part No: MP05198

Model: TA1246A
Rev No: 1

H. RECOMMENDED REFLOW PROFILE:

