

SAW Filter 924.0MHz
Part No: MP05199

Model: TA1247A
Rev No: 1

A. MAXIMUM RATING:

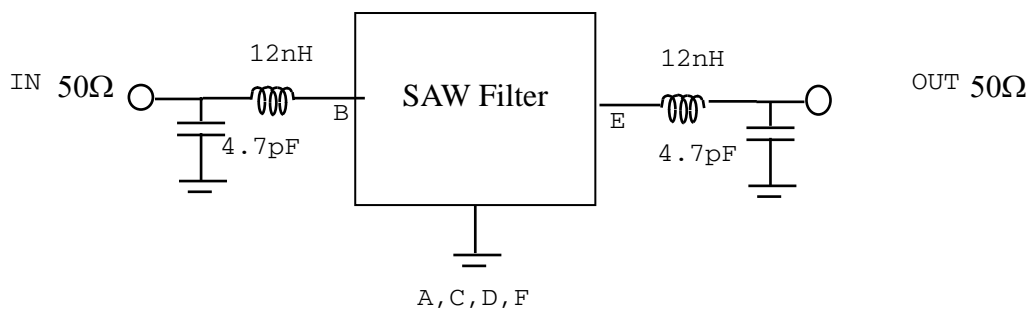
1. Input Power Level: 10dBm
2. DC voltage: 12V
3. Operating Temperature: -40°C to +85°C
4. Storage Temperature: -40°C to +85°C

B. ELECTRICAL CHARACTERISTICS:

Item	Unit	Min.	Typ.	Max.
Center frequency Fc	MHz	-	924	-
Insertion loss IL (min)	dB	-	3.7	5.5
Pass bandwidth(relative to IL) BW3	kHz		2000	-
Attenuation (Reference level from 0dB)				
At Fc -21.4MHz	dB	43	48	-
At Fc -10.7MHz	dB	27	31	-
Impedance at Fc Input $Z_{IN} = R_{IN} // C_{IN} Z_S$	Ω	137.4 Ω // 3.3pF		
Impedance at Fc Output $Z_{OUT} = R_{OUT} // C_{OUT} Z_L$	Ω	137.4 Ω // 3.3pF		

C. MEASUREMENT CIRCUIT:

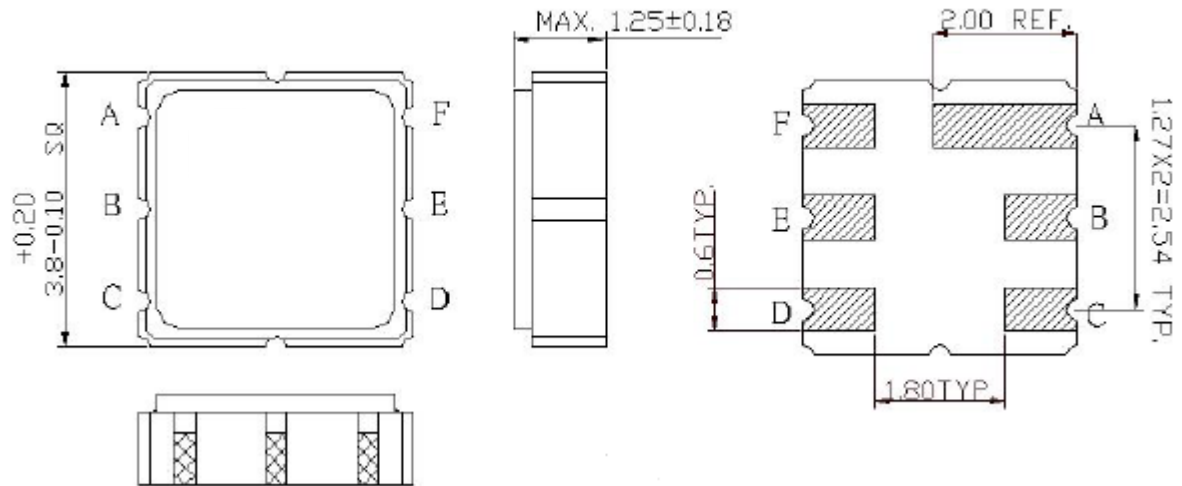
HP Network analyzer



SAW Filter 924.0MHz
Part No: MP05199

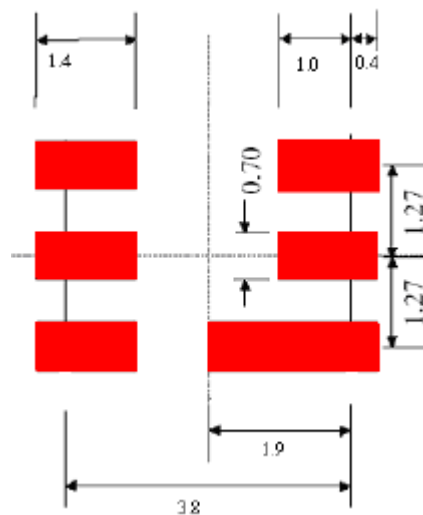
Model: TA1247A
Rev No: 1

D. OUTLINE DRAWING:



E: Input or Output
B: Output or Input
A, C, D, F: Ground
Unit: mm

E. PCB FOOTPRINT:

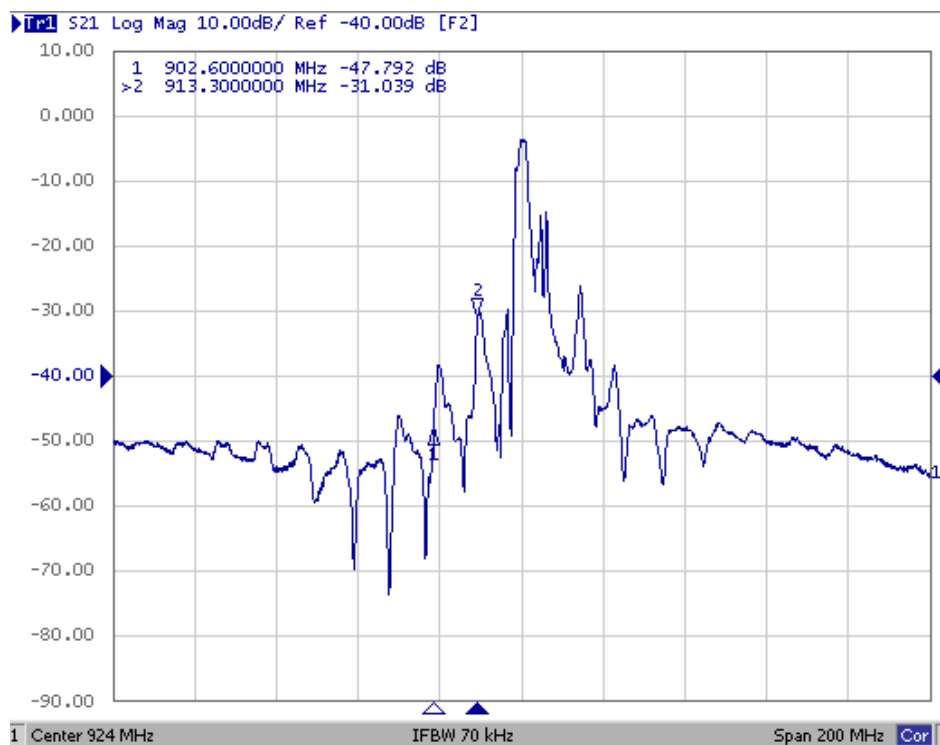
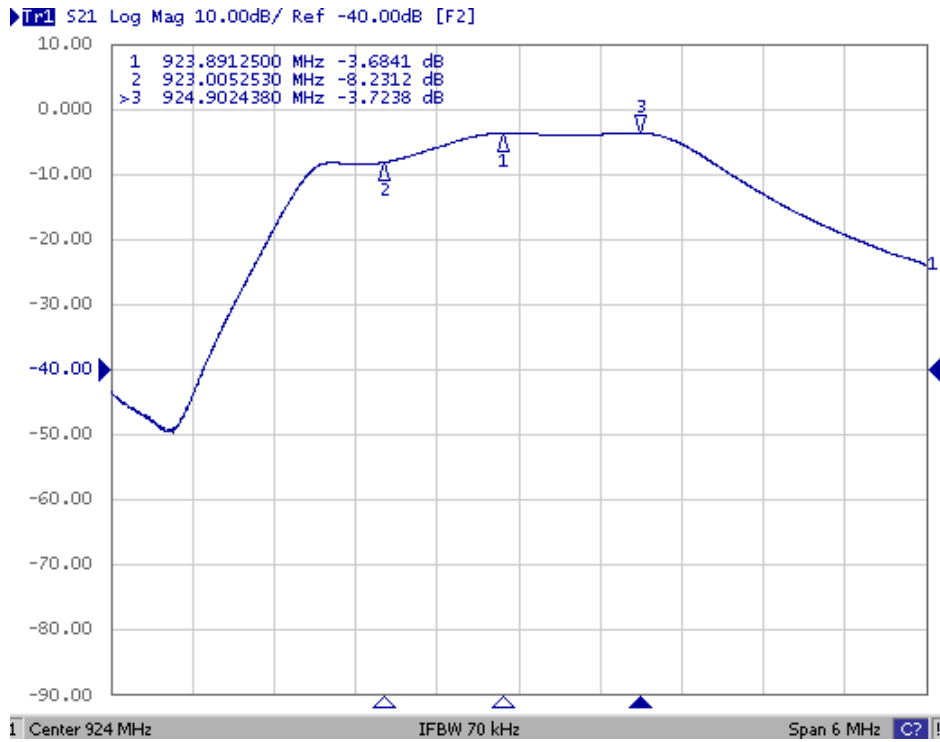


SAW Filter 924.0MHz
Part No: MP05199

Model: TA1247A
Rev No: 1

F. FREQUENCY CHARACTERISTICS:

1. Transfer function

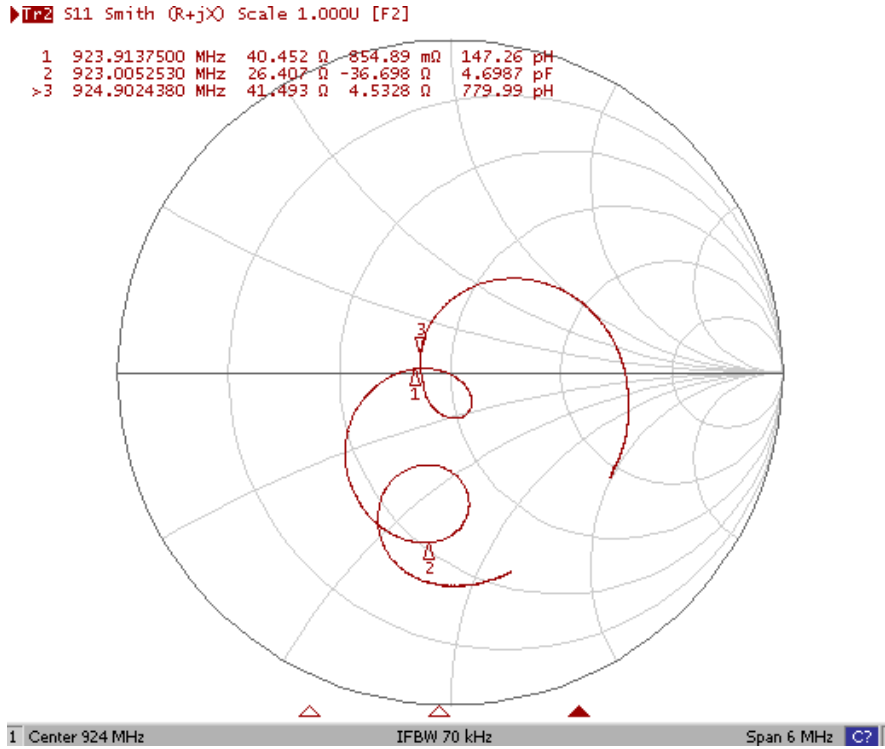


SAW Filter 924.0MHz
Part No: MP05199

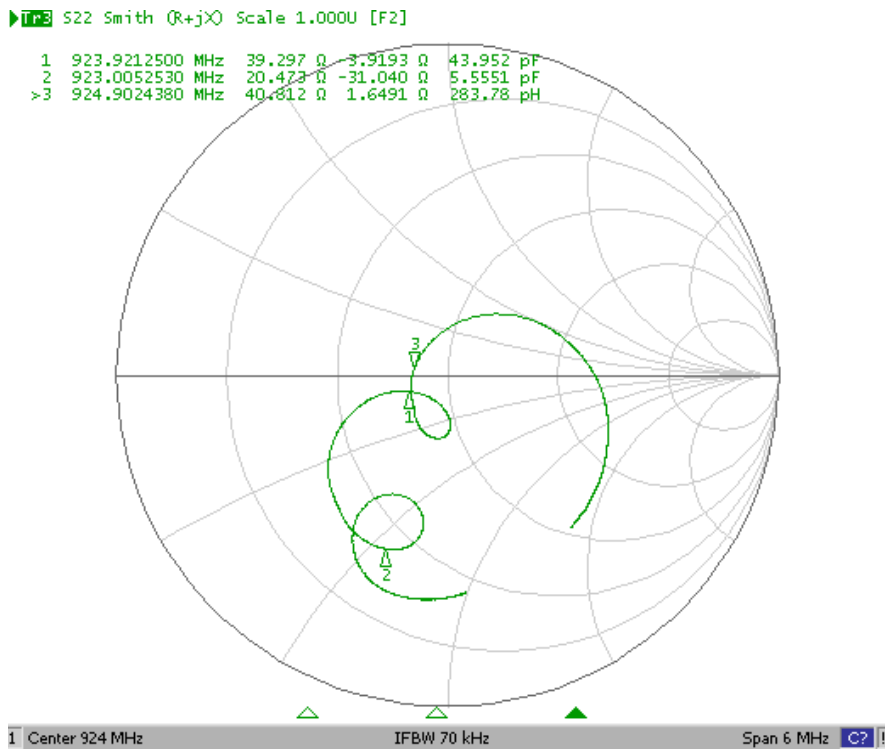
Model: TA1247A
Rev No: 1

2. Smith Chart

S11



S22



SAW Filter 924.0MHz
Part No: MP05199

Model: TA1247A
Rev No: 1

H. RECOMMENDED REFLOW PROFILE:

