

SAW Filter: 70.0MHz
Part No: MP05276

Model: TB1027A
Rev No: 1

A. MAXIMUM RATING:

Electrostatic Sensitive Device

1. Input Power Level: +20dBm
2. Operating Temperature: -30°C to +80°C
3. Storage Temperature: -40°C to +85°C

B. ELECTRICAL CHARACTERISTICS:

Reference Temperature Ta = 25°C

Parameters	Unit	Min.	Typ.	Max.
Center frequency Fc	MHz	69.8	70	70.2
Insertion Loss IL	dB	-	9.6	12.0
1dB Bandwidth	MHz	3.4	3.9	-
3dB Bandwidth	MHz	4.0	4.6	-
40dB Bandwidth	MHz	-	7.6	8.2
Relative Attenuation:				
10 to 62MHz	dB	40	51	-
78 to 140MHz	dB	40	44	-
Amplitude ripple within Fc ± 1.5MHz	dB	-	0.7	1.0
Group Delay ripple within Fc ± 1.5MHz	nsec	-	100	220
Substrate Material	-	-	YZ-LN	-
Temperature Coefficient of frequency	ppm/°C	-	-94	-

SAW Filter: 70.0MHz
Part No: MP05276

Model: TB1027A
Rev No: 1

C. FREQUENCY CHARACTERISTICS:

1. Frequency Response

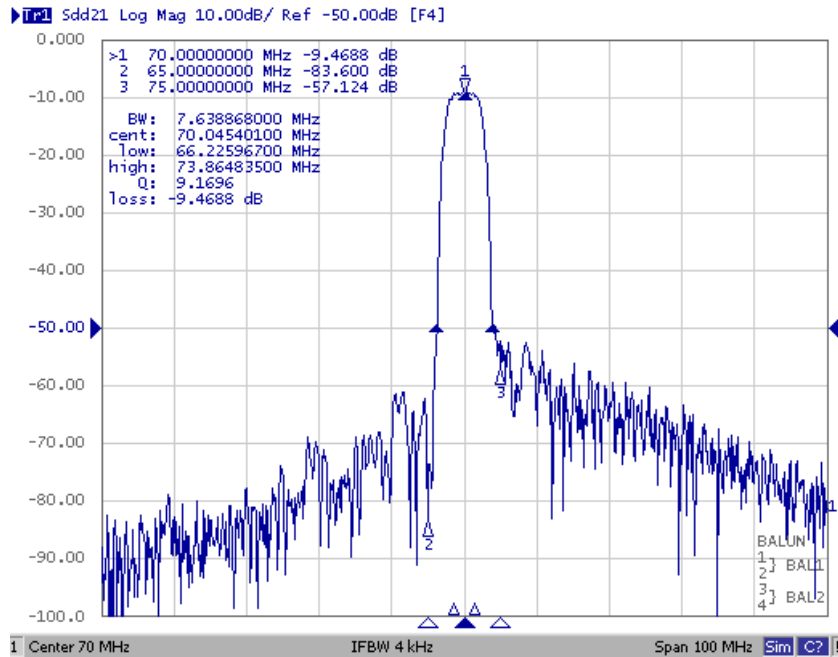


Fig. 1. Horizontal: 10MHz / Div, Vertical: 10dB / Div

2. Passband response and Group Delay Variation

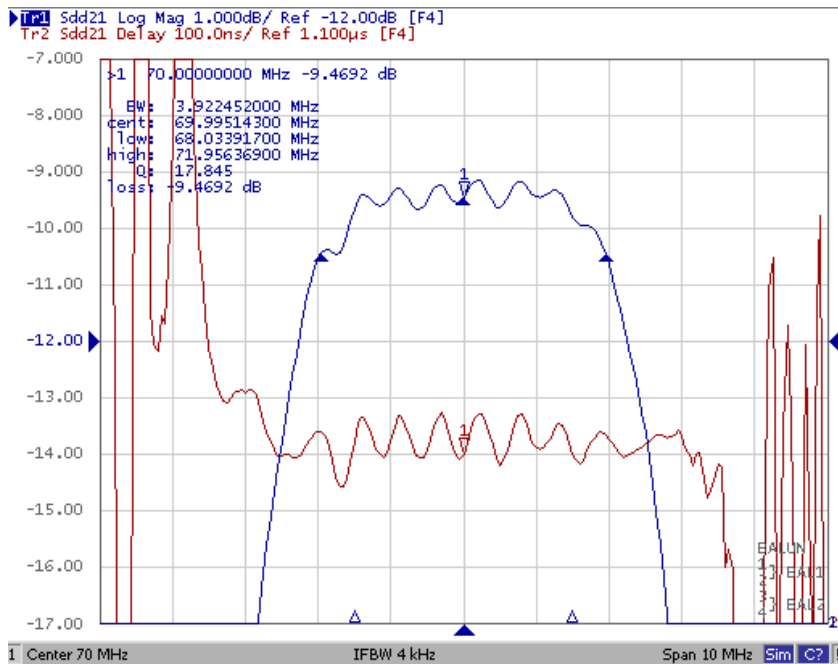
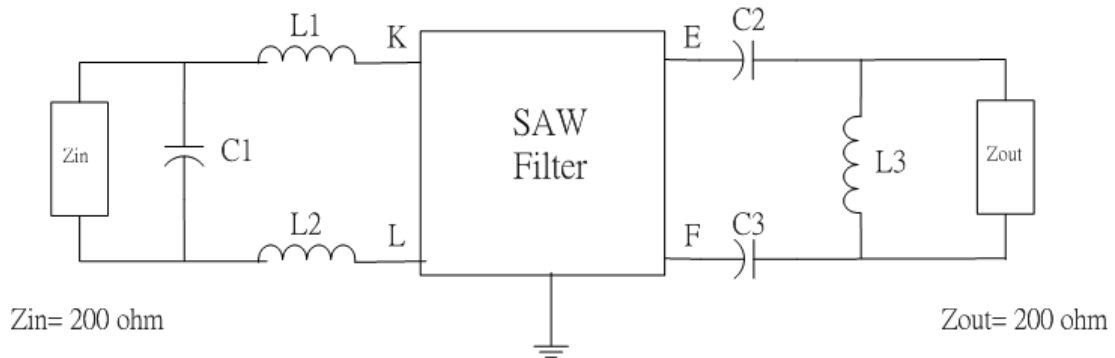


Fig. 2. Horizontal: 1MHz / Div, Vertical: 1dB / Div, Vertical: 100ns / Div

SAW Filter: 70.0MHz
Part No: MP05276

Model: TB1027A
Rev No: 1

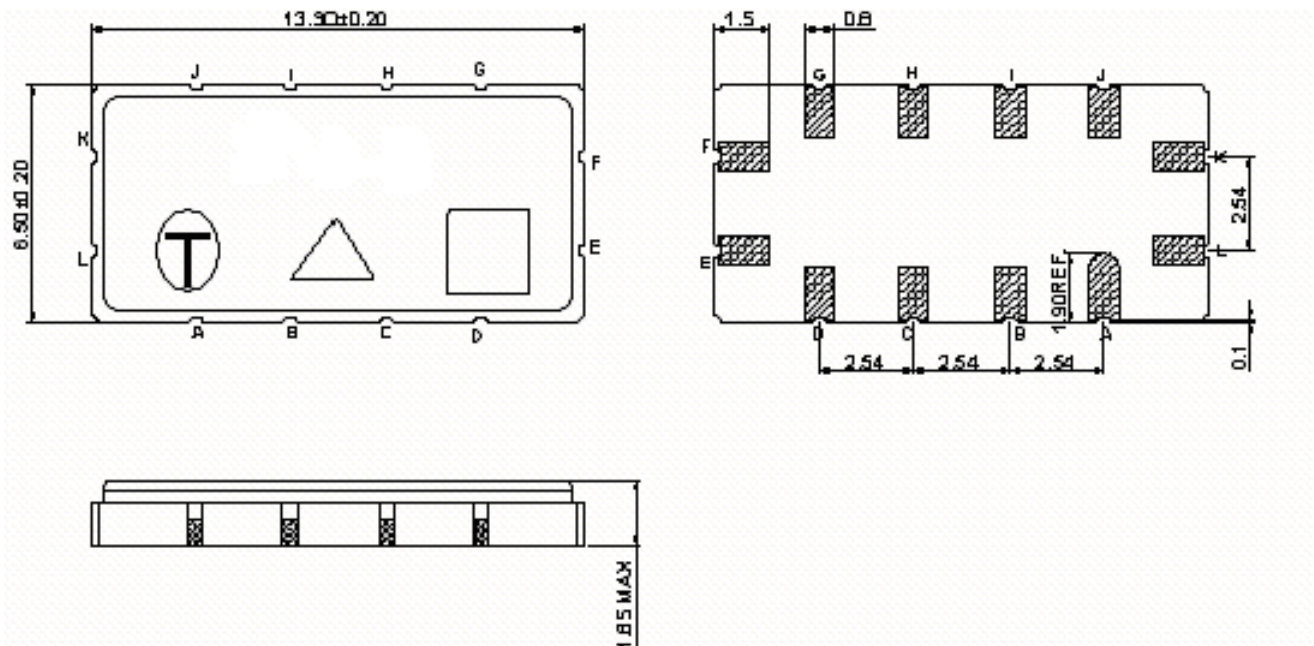
D. MEASUREMENT CIRCUIT:



$$L1 = L2 = 82 \text{ nH} \quad L3 = 270 \text{ nH} \quad C1 = 27 \text{ pF} \quad C2 = C3 = 56 \text{ pF}$$

E. OUTLINE DRAWING:

Laser Marking



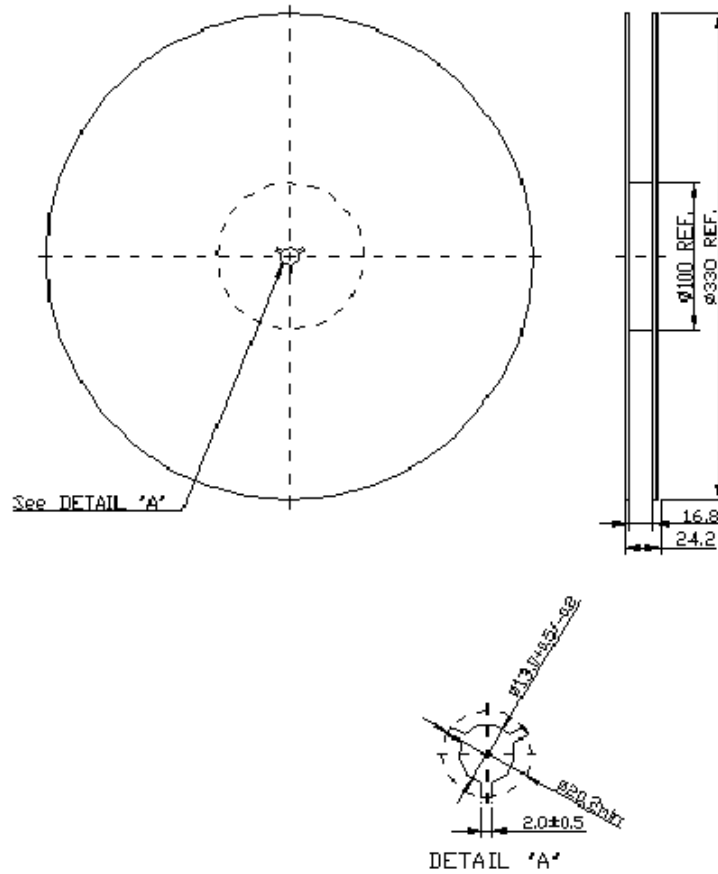
- K: RF input
 - L: RF Input ground
 - E: RF output
 - F: RF balance output or to be ground
 - A, B, C, D, G, H, I, J: Ground
- Unit: mm

SAW Filter: 70.0MHz
Part No: MP05276

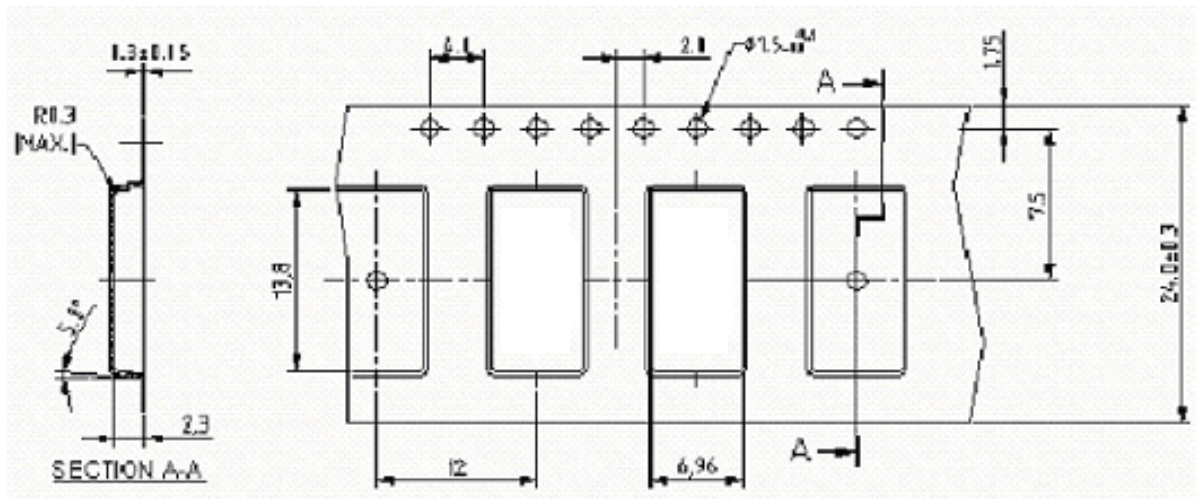
Model: TB1027A
Rev No: 1

F. PACKING:

1. Reel Dimension



2. Tape Dimension



SAW Filter: 70.0MHz
Part No: MP05276

Model: TB1027A
Rev No: 1

G. RECOMMENDED REFLOW PROFILE:

