

SAW Filter 400.0MHz
Part No: MP05420

Model: TA1595A
Rev. No: 3

A. MAXIMUM RATING:

Electrostatic Sensitive Device (ESD)

1. Input Power Level: 15dBm
2. DC Voltage: 3V
3. Operating Temperature: -40°C to +85°C
4. Storage Temperature: -40°C to +85°C

B. ELECTRICAL CHARACTERISTICS:

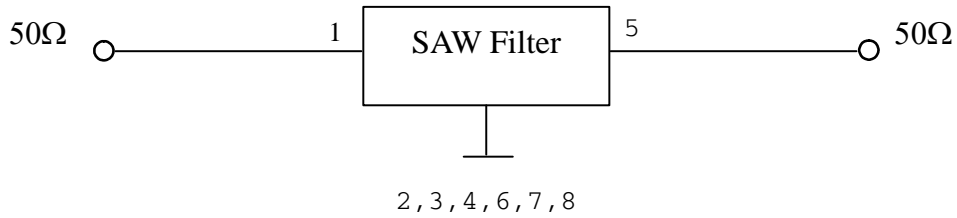
Item	Unit	Min.	Typ.	Max.
Center Frequency Fc	MHz	-	400	-
Insertion loss (398 ~ 402MHz) IL	dB	-	2.0	4.5
Amplitude ripple (398 ~ 402MHz)	dB	-	0.5	2.0
Return loss (399.5 ~ 400.5MHz)	-	9	12	-
Attenuation (Reference level from 0dB)				
10 ~ 370MHz	dB	45	55	-
430 ~ 1000MHz	dB	40	44	-
Temperature coefficient of frequency	ppm/k	-	-36	-

SAW Filter 400.0MHz
Part No: MP05420

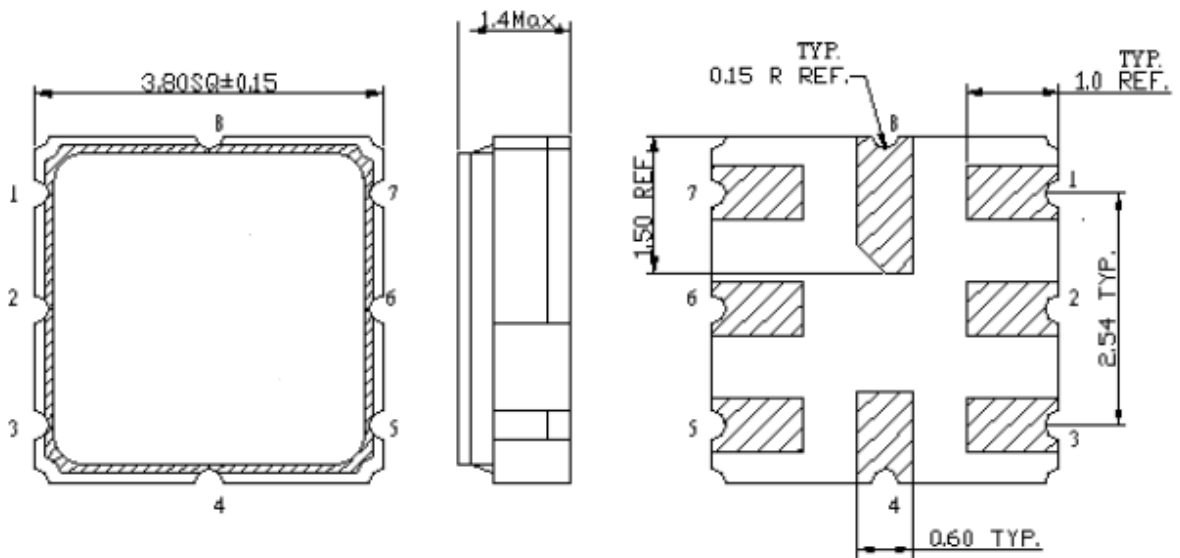
Model: TA1595A
Rev. No: 3

C. MEASUREMENT CIRCUIT:

HP Network analyzer



D. OUTLINE DRAWING:

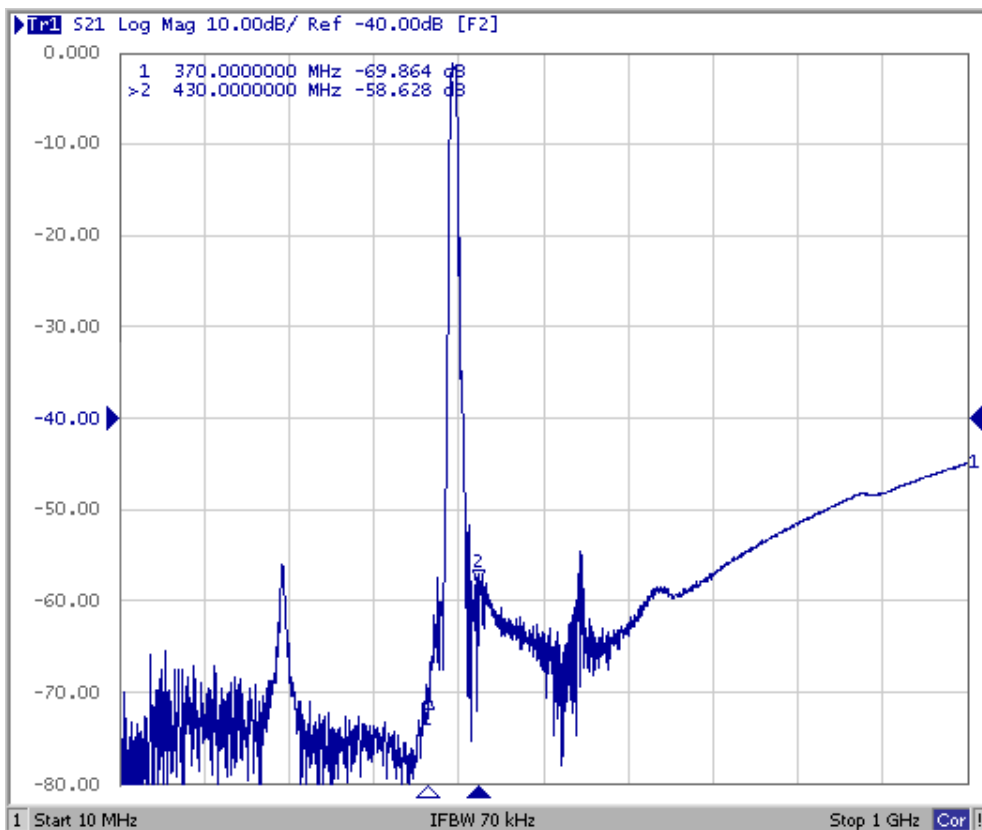
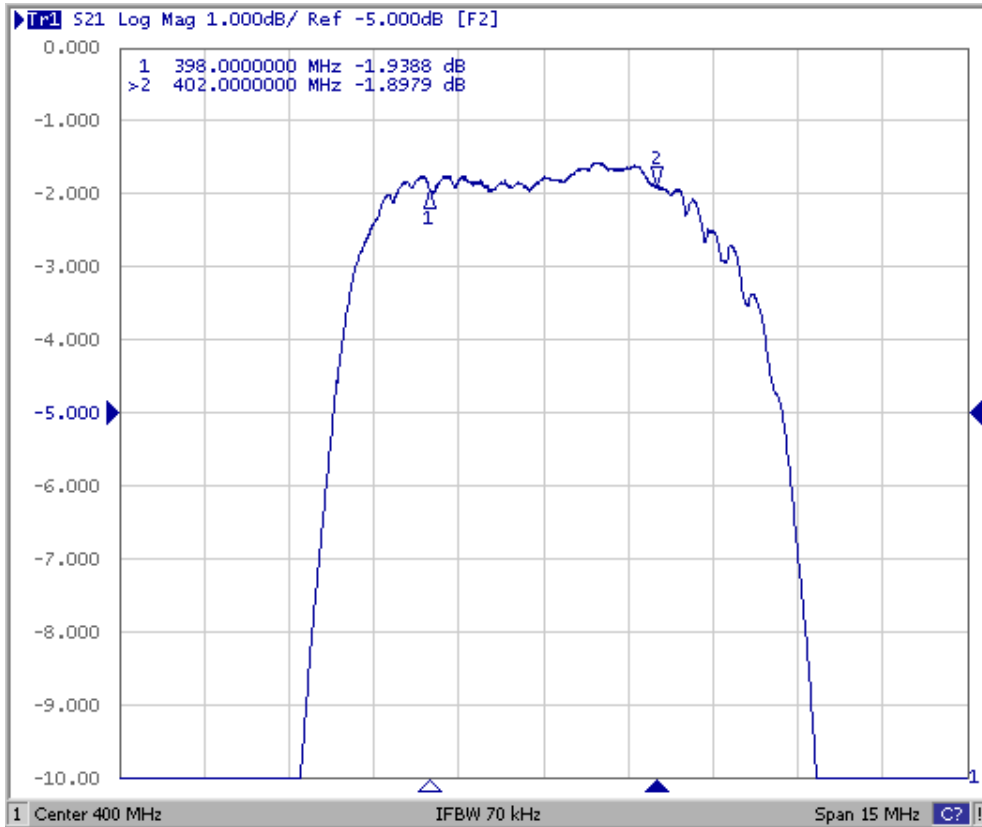


- 1: Input
 - 5: Output
 - 2, 3, 4, 6, 7, 8: Ground
- Unit: mm

SAW Filter 400.0MHz
Part No: MP05420

Model: TA1595A
Rev. No: 3

E. FREQUENCY CHARACTERISTICS:

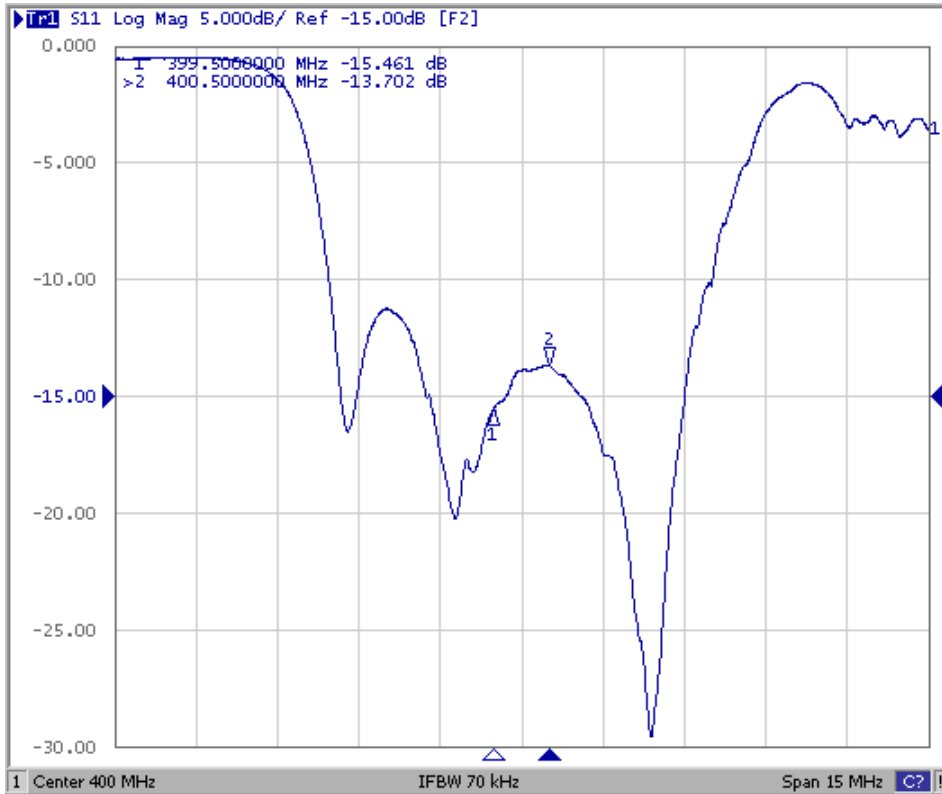


SAW Filter 400.0MHz
Part No: MP05420

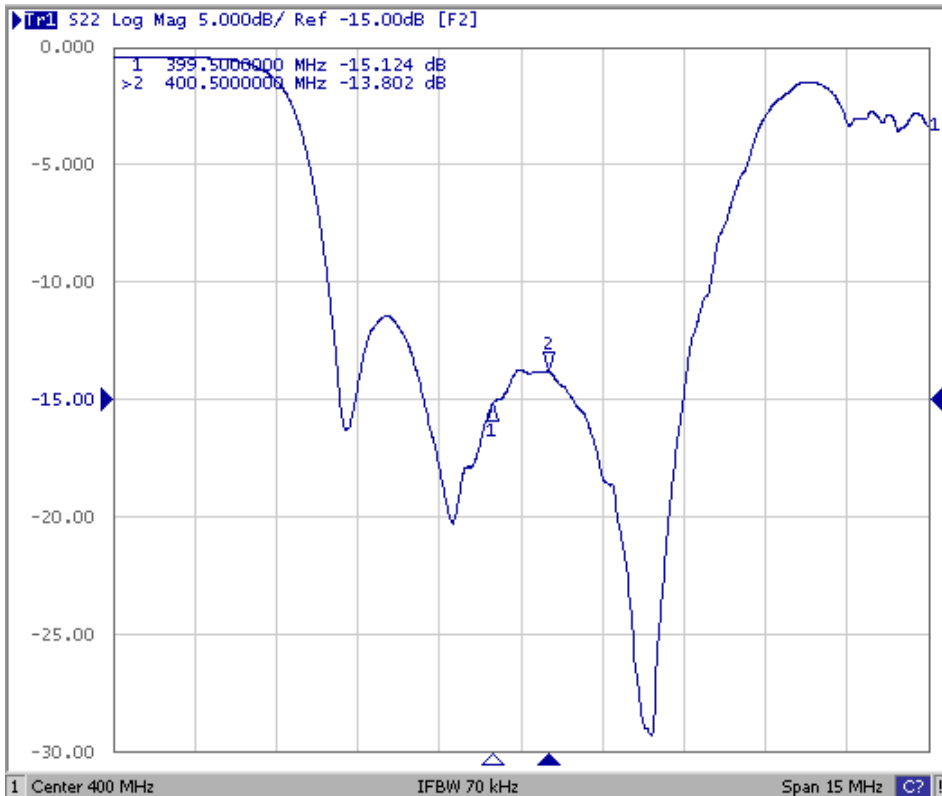
Model: TA1595A
Rev. No: 3

Reflection Functions

S11



S22



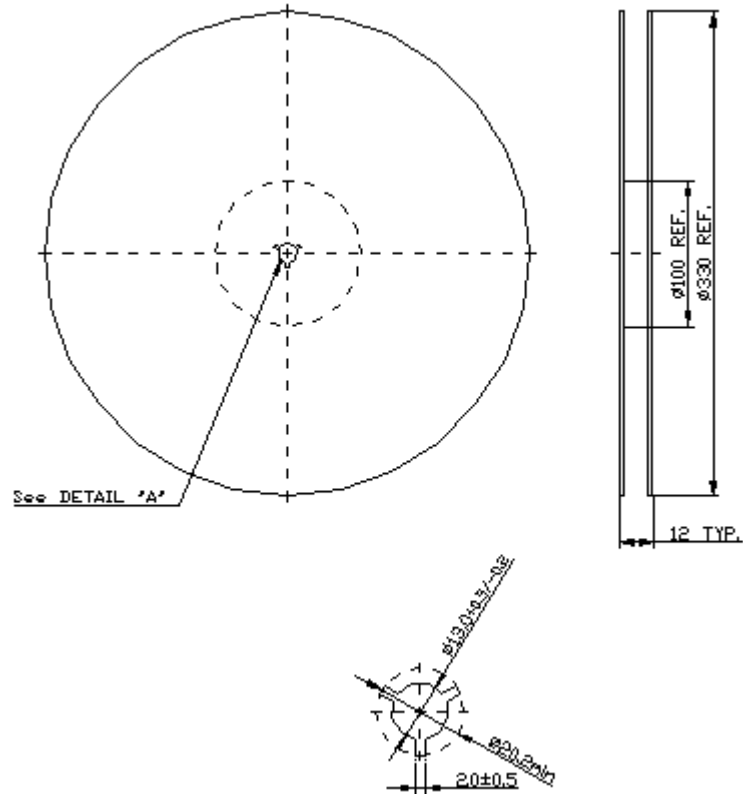
SAW Filter 400.0MHz
Part No: MP05420

Model: TA1595A
Rev. No: 3

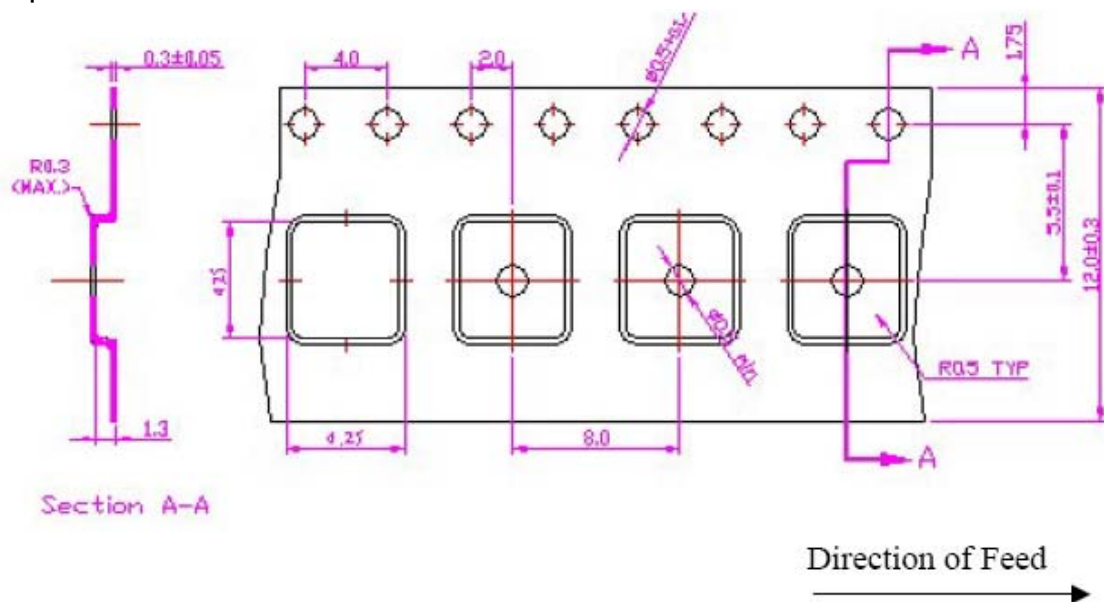
F. PACKING:

1. Reel Dimension

(Please refer to FR-75D10 for packing quantity)



2. Tape Dimension



SAW Filter 400.0MHz
Part No: MP05420

Model: TA1595A
Rev. No: 3

G. RECOMMENDED REFLOW PROFILE:

