

SAW Filter: 1900.0MHz

Model: TA1122A

Part No: MP05435

Rev No: 2

A. MAXIMUM RATING:

Electrostatic Sensitive Device (ESD)

1. Input Power Level: 13dBm, 2000 hours
2. DC Voltage: 3V
3. Operating Temperature: -30°C to +85°C
4. Storage Temperature: -40°C to +85°C

B. ELECTRICAL CHARACTERISTICS:

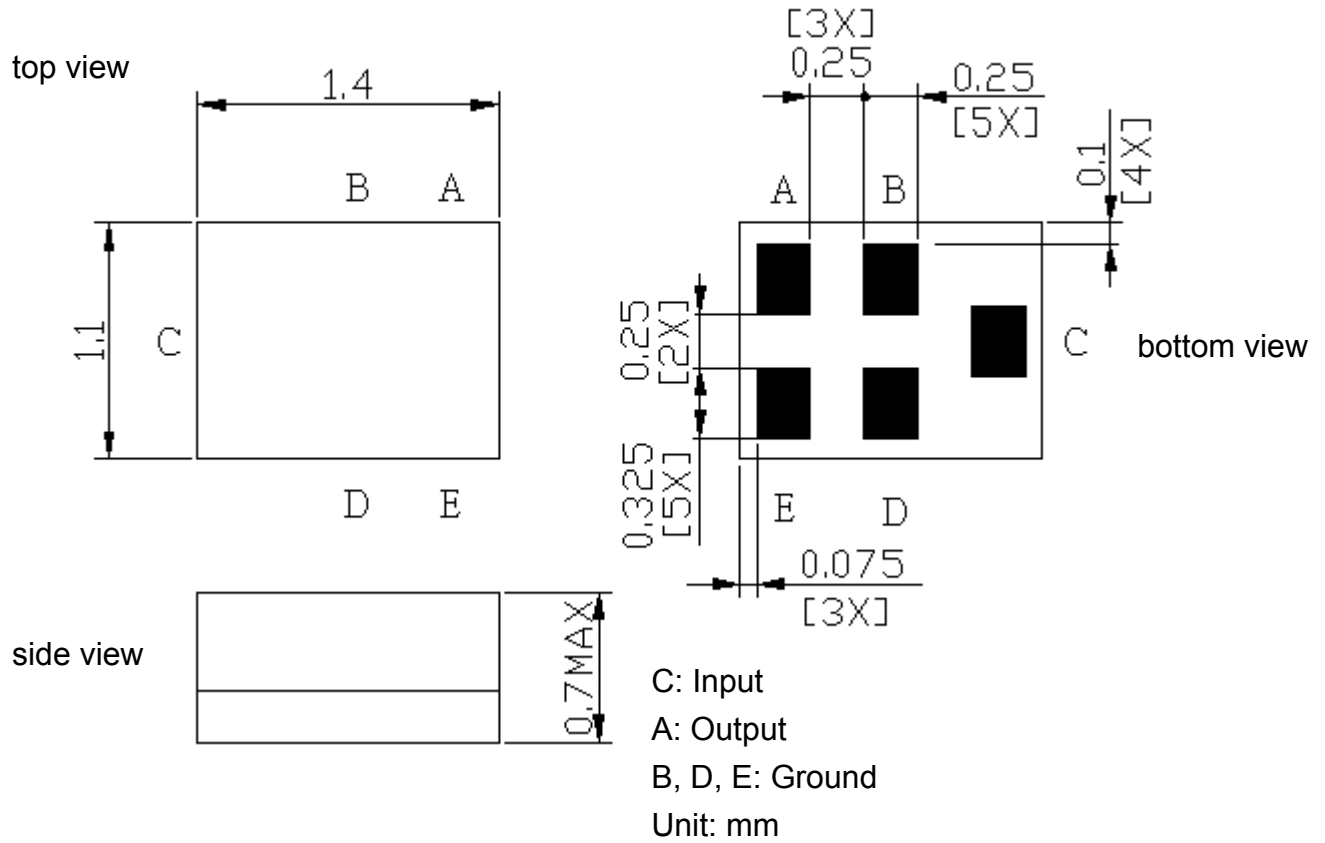
1. Terminating source impedance: $Z_S = 50\Omega$
2. Terminating load impedance: $Z_L = 50\Omega$

Item	Unit	Min.	Typ.	Max.	Note
Center Frequency Fc	MHz	-	1900	-	-
Insertion Loss (1880 ~ 1920 MHz) IL	dB	-	2	2.7	-
Amplitude ripple (1880 ~ 1920MHz)	dB	-	0.5	1.2	-
VSWR (1880 ~ 1920MHz)		-	1.7	2	-
Attenuation					
D.C ~ 1395MHz	dB	40	45	-	-
1395 ~ 1435MHz	dB	40	48	-	-
1435 ~ 1805MHz	dB	33	36	-	-
1805 ~ 1840MHz	dB	25	33	-	-
2000 ~ 2135MHz	dB	25	27	-	-
2135 ~ 2175MHz	dB	31	34	-	-
2175 ~ 3500MHz	dB	30	36	-	-
3500 ~ 6000MHz	dB	22	29	-	-

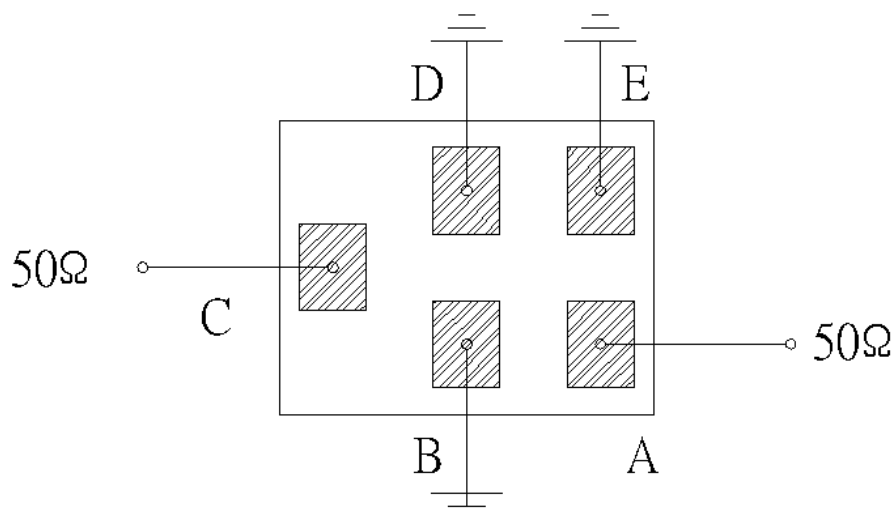
SAW Filter: 1900.0MHz
Part No: MP05435

Model: TA1122A
Rev No: 2

C. OUTLINE DRAWING:



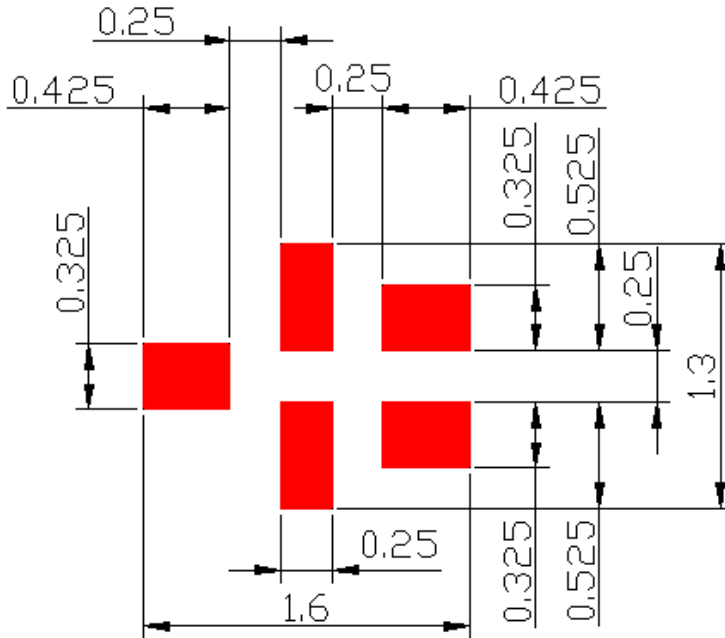
D. MEASUREMENT CIRCUIT:




SAW Filter: 1900.0MHz
Part No: MP05435

Model: TA1122A
Rev No: 2

E. PCB FOOTPRINT:

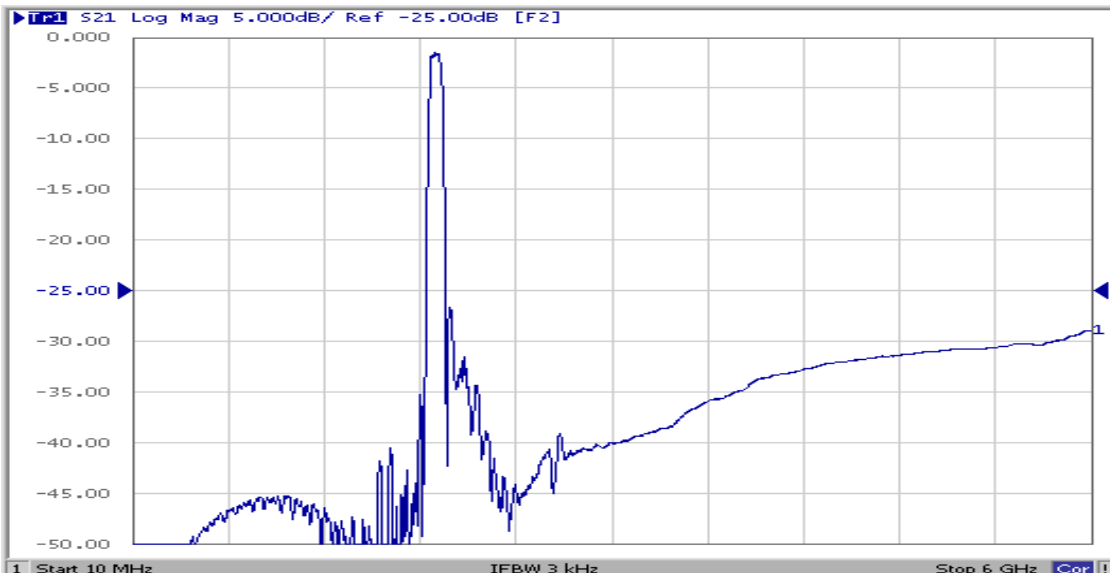
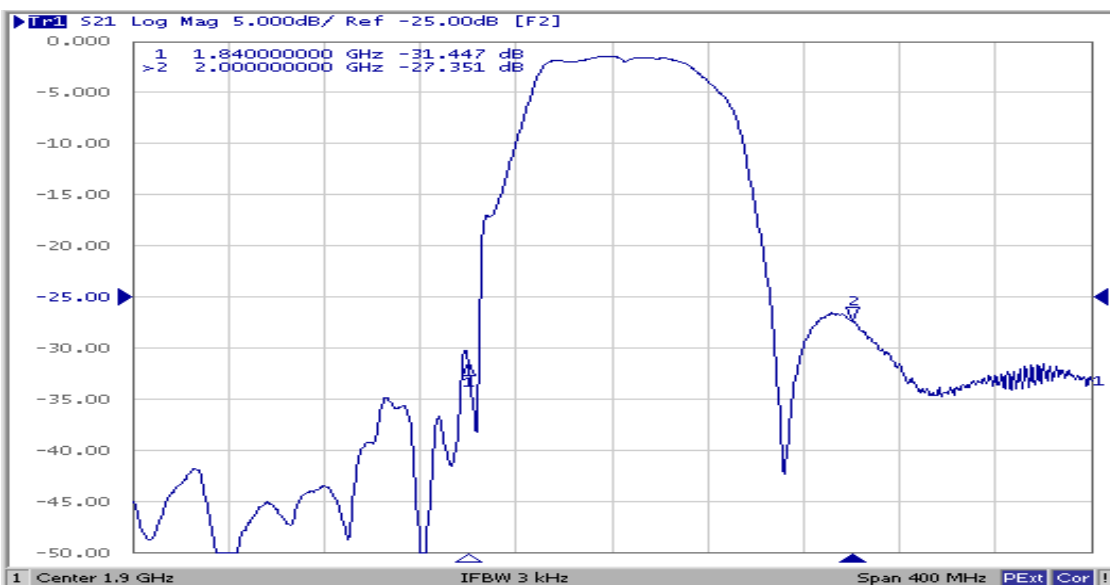
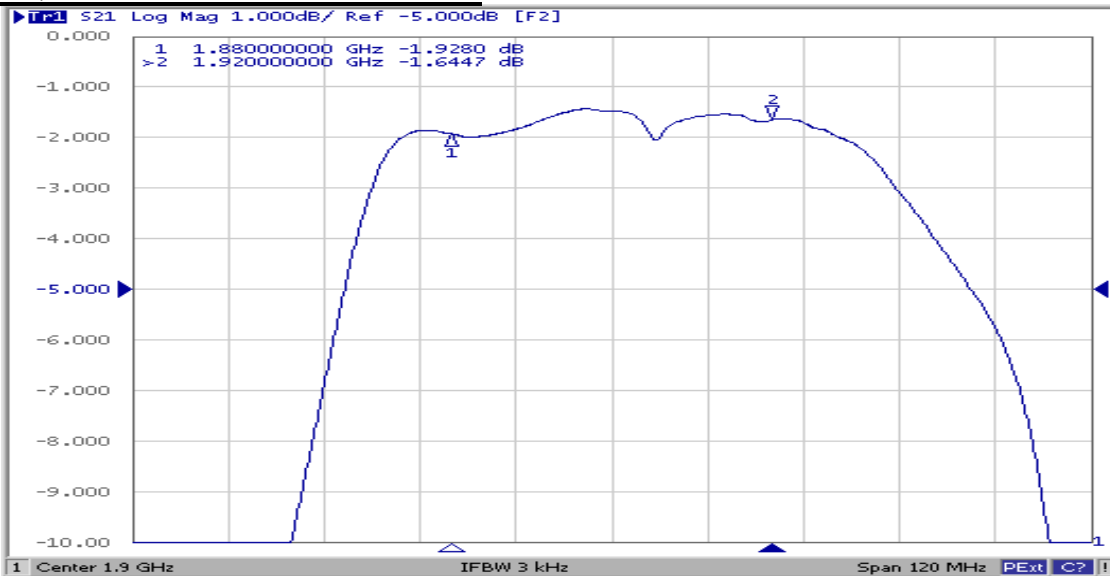


 : Land Pattern
Unit : mm

SAW Filter: 1900.0MHz
Part No: MP05435

Model: TA1122A
Rev No: 2

F. FREQUENCY CHARACTERISTICS:

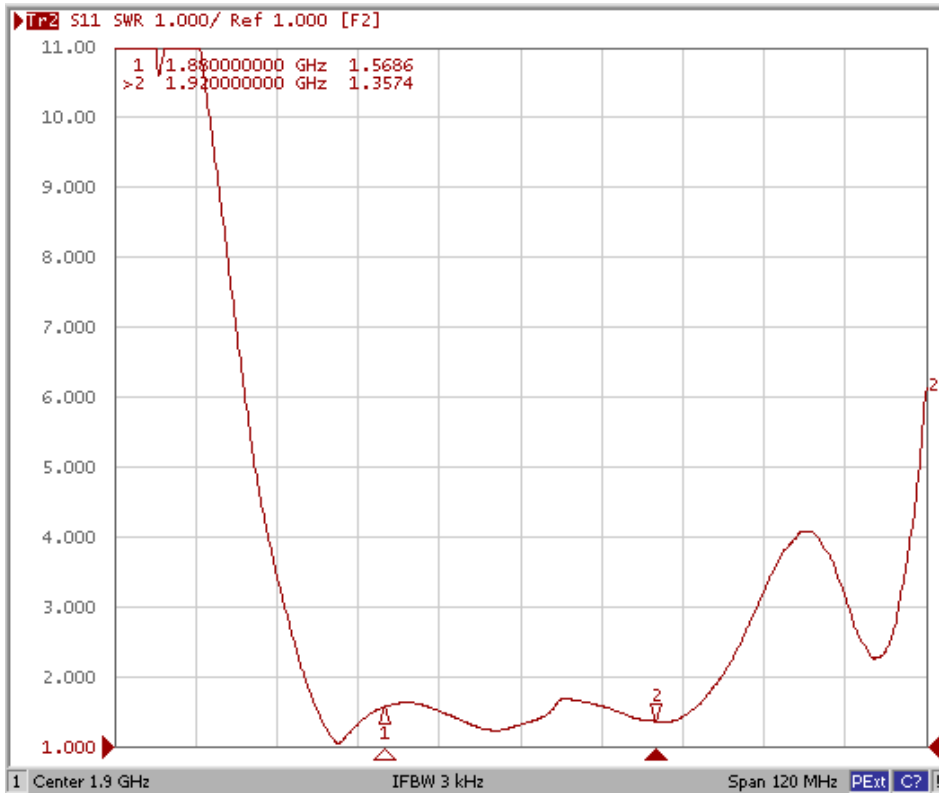


SAW Filter: 1900.0MHz
Part No: MP05435

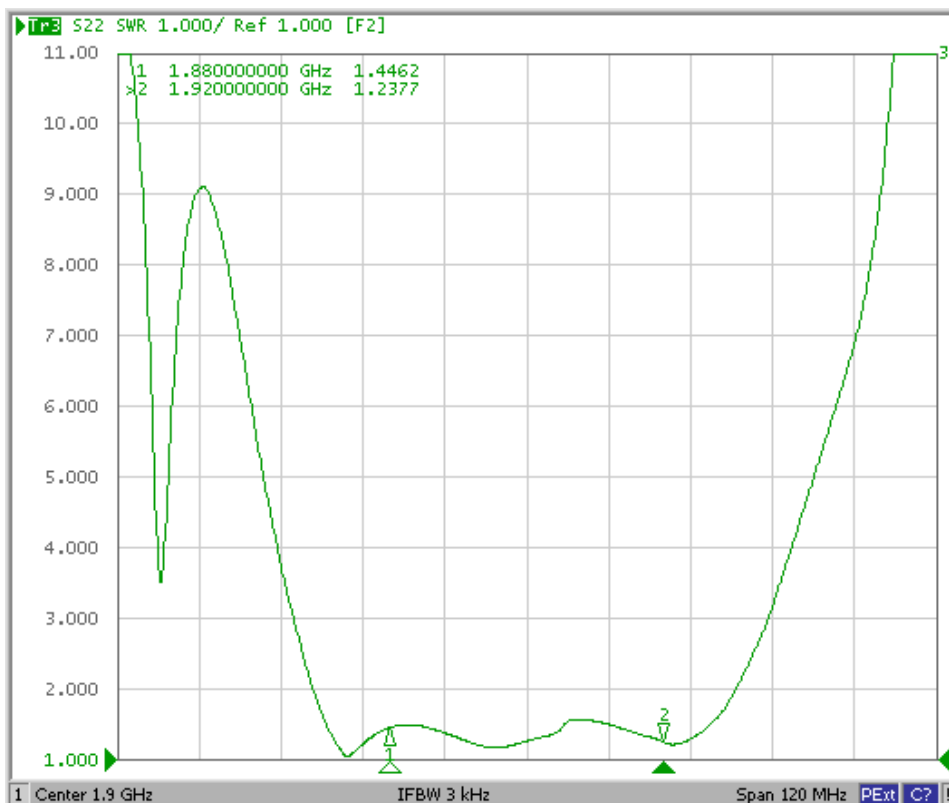
Model: TA1122A
Rev No: 2

Reflection Functions

S11



S22



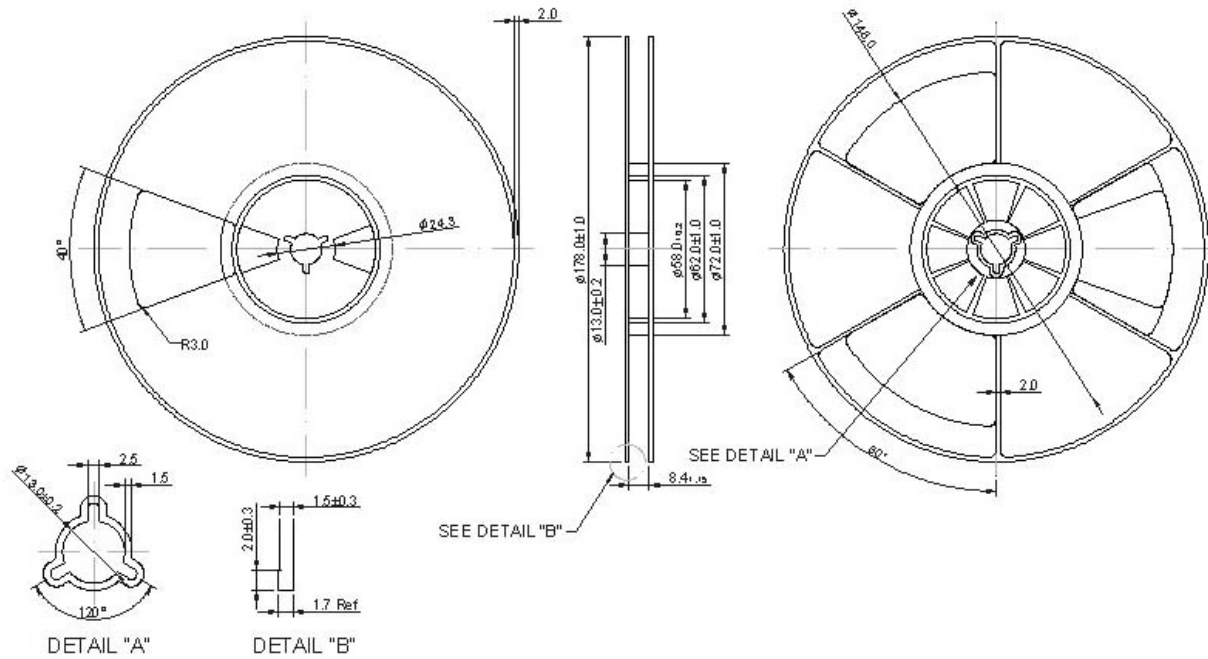
SAW Filter: 1900.0MHz
Part No: MP05435

Model: TA1122A
Rev No: 2

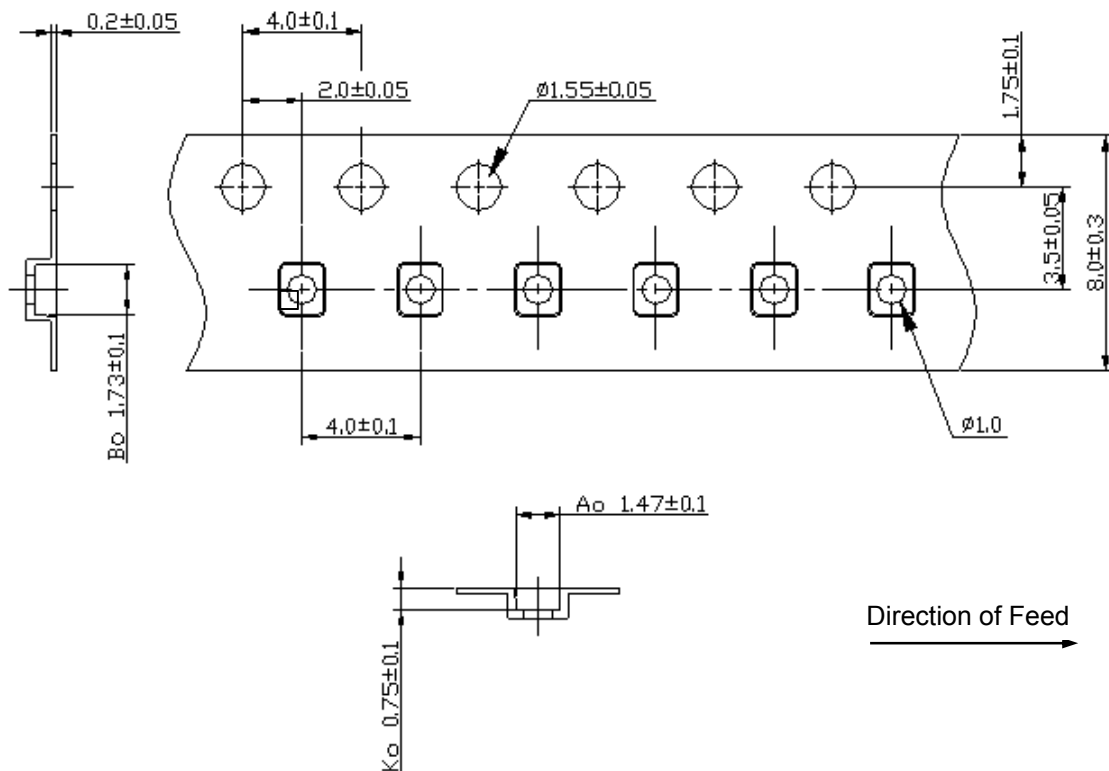
G. PACKING:

1. Reel Dimension

(Please refer to FR-75D10 for packing quantity)



2. Tape Dimension



SAW Filter: 1900.0MHz
Part No: MP05435

Model: TA1122A
Rev No: 2

H. RECOMMENDED REFLOW PROFILE:

1. Preheating shall be fixed at 150 ~ 180°C for 60 ~ 90seconds.
2. Ascending time to preheating temperature 150°C shall be 30 seconds min.
3. Heating shall be fixed at 220°C for 50 ~ 80 seconds and at 245 ~ 260°C peak (min. 10 sec).
4. Time: 2 times.

