

SAW Filter: 150.0MHz

Model: TB1047A

Part No: MP05444

Rev No: 1

A. MAXIMUM RATING:

Electrostatic Sensitive Device

1. Operating temperature range: -10°C to 80°C
2. Storage temperature range: -40°C to 85°C
3. Input Power Level: 10dBm
4. Maximum DC Voltage: 10V

B. ELECTRICAL CHARACTERISTICS:

Item	Unit	Min.	Typ.	Max.
Center frequency Fc	MHz	-	150	-
Insertion Loss IL	dB	-	21	23.5
-3dB bandwidth	MHz	80	81.7	-
Passband Ripple Fc ± 36MHz	dB	-	0.7	1.0
Attenuation (Reference level from minimum Insertion loss)				
DC ~ 99MHz	dB	32	44	-
201MHz ~ 400MHz	dB	32	38	-
Temperature Coefficient	ppm/°C	-	-72	-
Source Impedance	Ohm	-	50	-
Load Impedance	Ohm	-	50	-

SAW Filter: 150.0MHz
Part No: MP05444

Model: TB1047A
Rev No: 1

C. FREQUENCY CHARACTERISTICS:

1. Wide band Response: (span 600MHz)

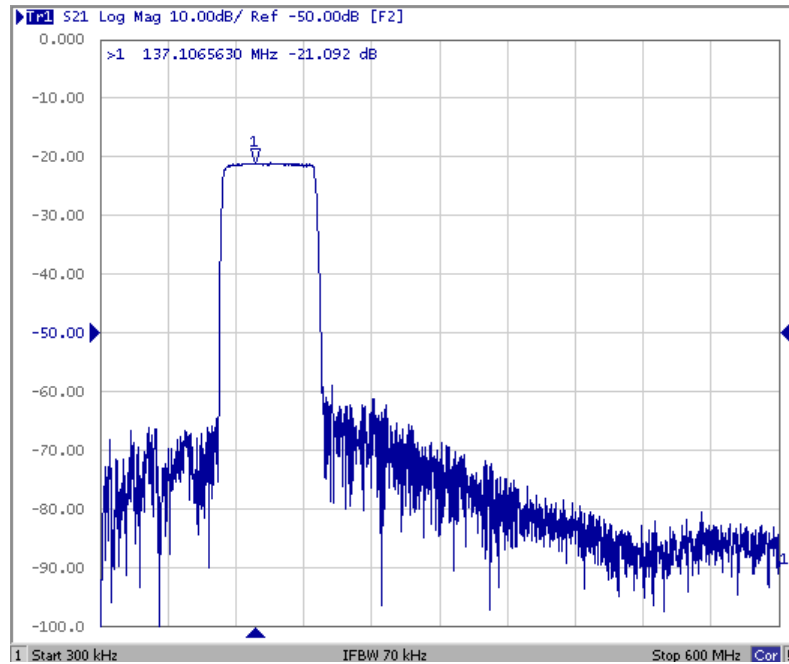


Fig. 1. Horizontal: 60MHz / Div, Vertical: 10Db / Div

2. Narrow band Response: (span 200MHz)

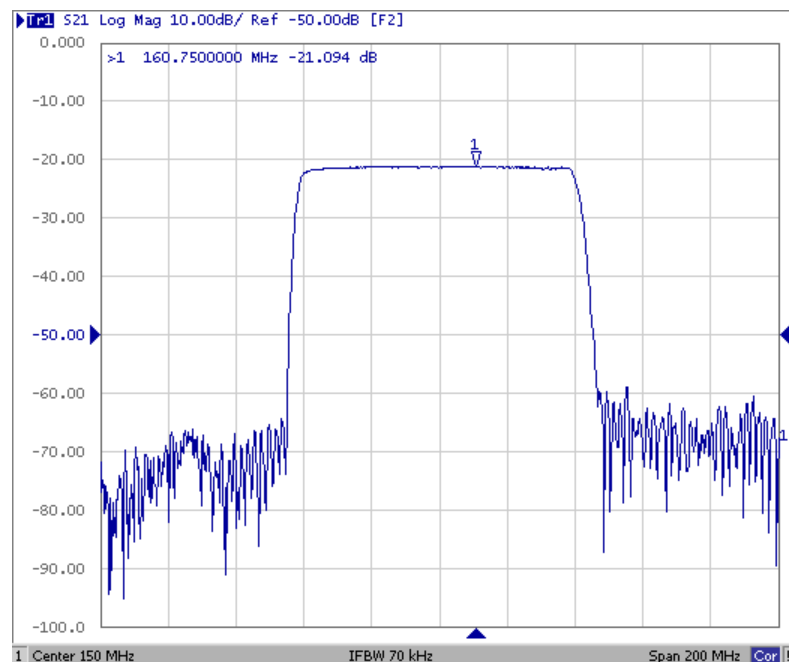


Fig. 2. Horizontal: 20MHz / Div Vertical: 10dB / Div

SAW Filter: 150.0MHz
Part No: MP05444

Model: TB1047A
Rev No: 1

3. Pass band Response and Group Time Delay Response:

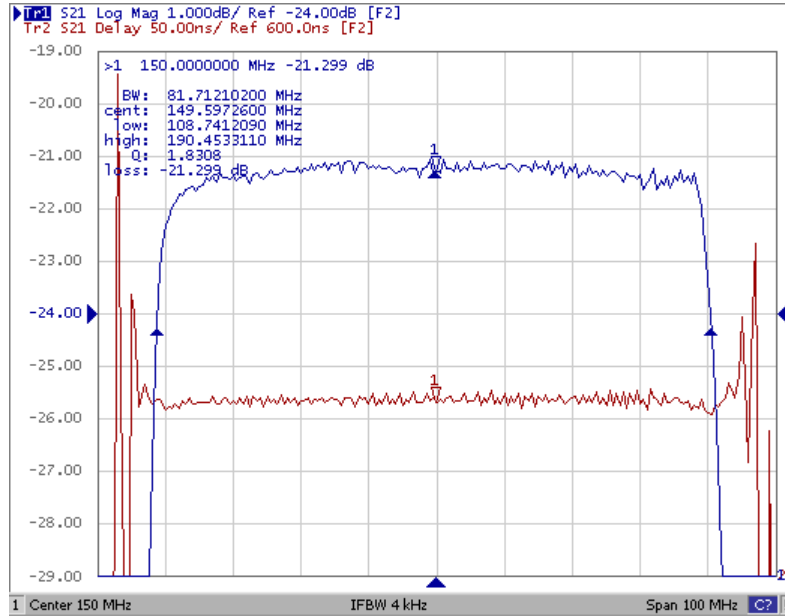
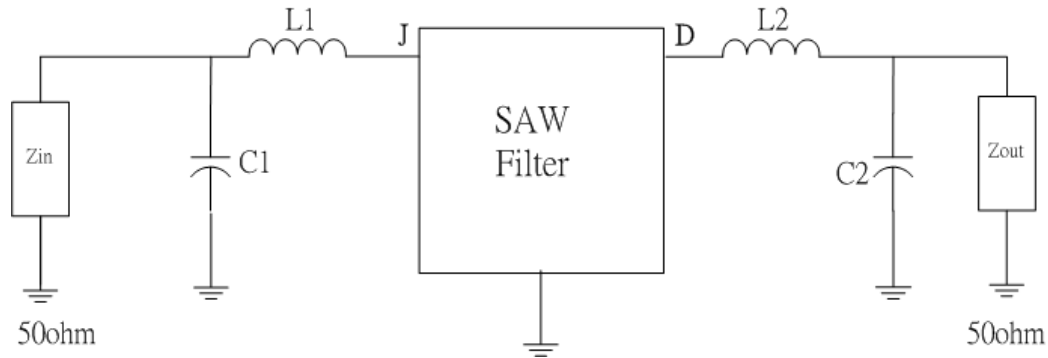


Fig. 3. Horizontal: 10MHz / Div, Vertical: 1dB / Div, Vertical: 50ns / Div

SAW Filter: 150.0MHz
Part No: MP05444

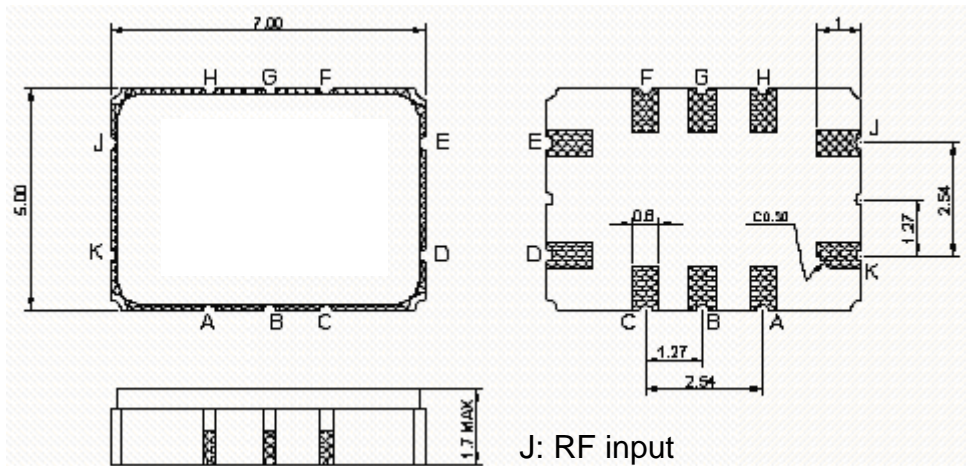
Model: TB1047A
Rev No: 1

D. MATCHING CIRCUIT:



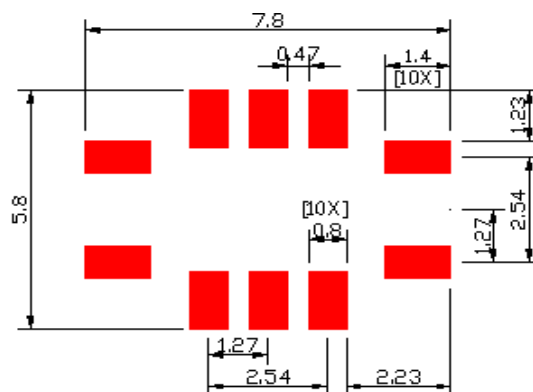
$L1 = 47\text{nH}$, $L2 = 47\text{nH}$, $C1 = 9\text{pF}$, $C2 = 9\text{pF}$

E. OUTLINE DRAWING:



- J: RF input
 - K: RF input ground
 - D: RF output
 - E: RF output ground
 - A, B, C, F, G, H: Ground
- Unit: mm

F. PCB FOOTPRINT:

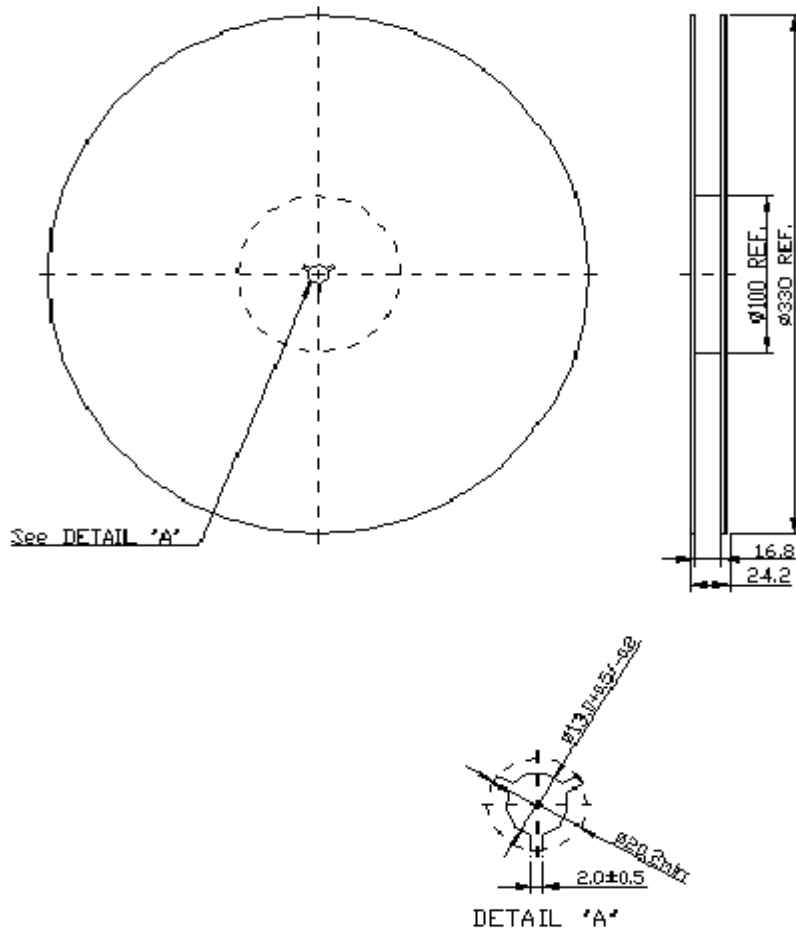


SAW Filter: 150.0MHz
Part No: MP05444

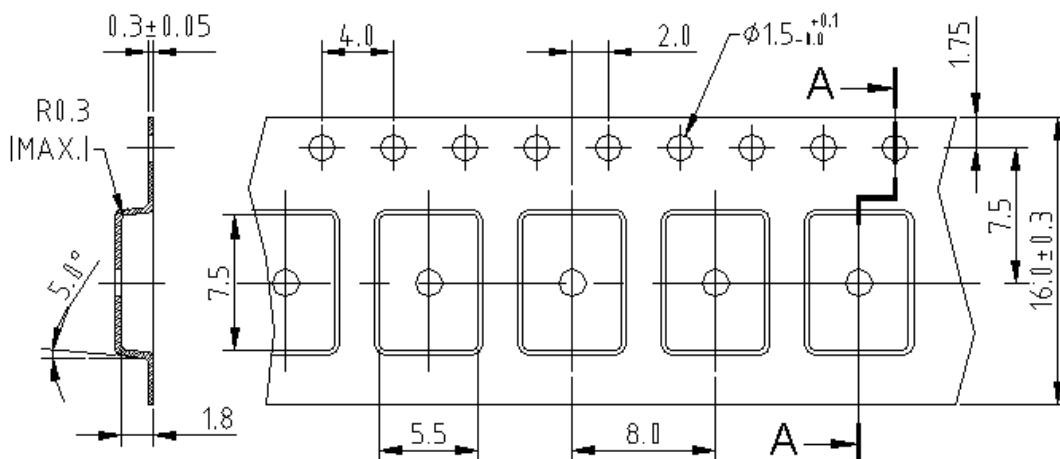
Model: TB1047A
Rev No: 1

G. PACKING:

1. Reel Dimension



2. Tape Dimension



SAW Filter: 150.0MHz
Part No: MP05444

Model: TB1047A
Rev No: 1

H. RECOMMENDED REFLOW PROFILE:

