

**SAW Filter: 793.0MHz**  
**Part No: MP05488**

**Model: TA1409A**  
**Rev No: 1**

**A. MAXIMUM RATING:**

Electrostatic Sensitive Device (ESD)

1. Input Power Level: +25dBm
2. DC Voltage: 3V
3. Operating Temperature: -40°C to +85°C
4. Storage Temperature: -40°C to +85°C

**B. ELECTRICAL CHARACTERISTICS:**

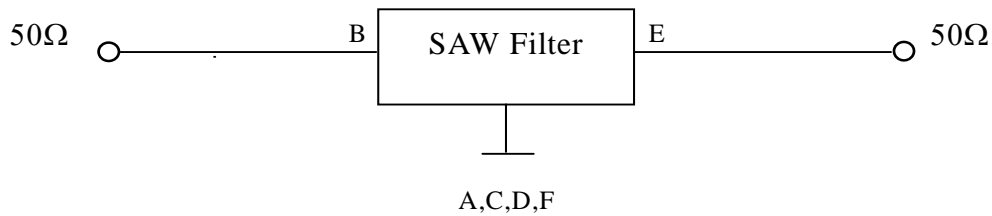
Item	Unit	Min.	Typ.	Max.
Center Frequency Fc	MHz	-	793	-
Insertion loss (788 ~ 798MHz) IL	dB	-	1.8	2.5
Amplitude Ripple (788 ~ 798MHz)	dB	-	0.7	1.5
Return Loss (788 ~ 798MHz)	dB	10	13	-
Group Delay at Fc	ns	-	39	60
Group Delay Variation (788 ~ 798MHz)	ns	-	18	60
Attenuation (Reference level from 0dB)				
0 ~ 445MHz	dB	36	41	-
445 ~ 465MHz	dB	36	41	-
465 ~ 700MHz	dB	35	40	-
758 ~ 768MHz	dB	35	45	-
848 ~ 890MHz	dB	35	44	-
1000 ~ 2000MHz	dB	30	41	-
Temperature Coefficient of Frequency	ppm/°C	-	-36	-

**SAW Filter: 793.0MHz**  
**Part No: MP05488**

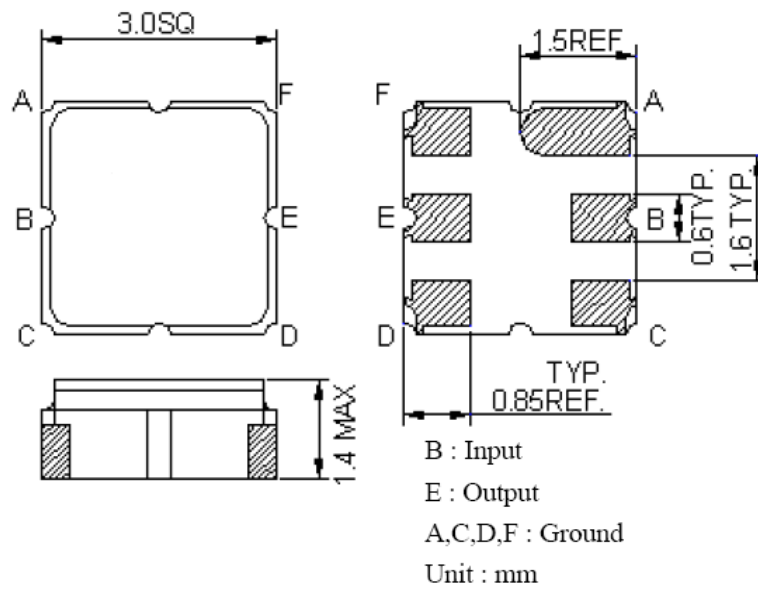
**Model: TA1409A**  
**Rev No: 1**

**C. MEASUREMENT CIRCUIT:**

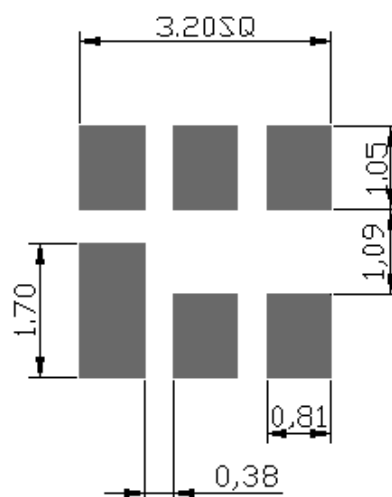
HP Network analyzer



**D. OUTLINE DRAWING:**



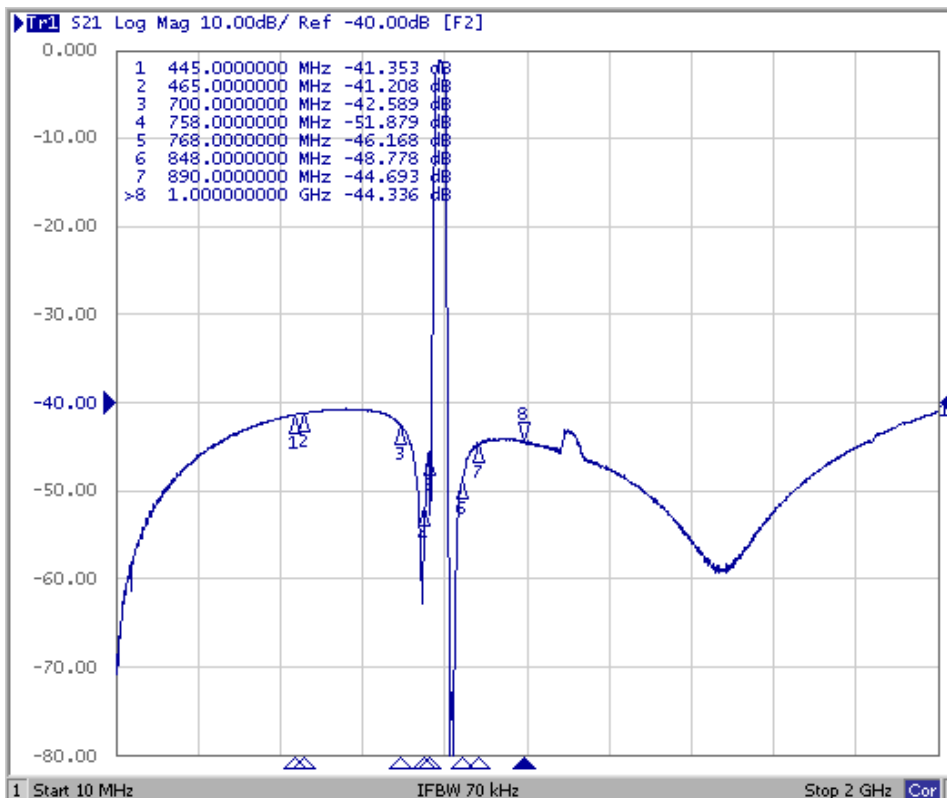
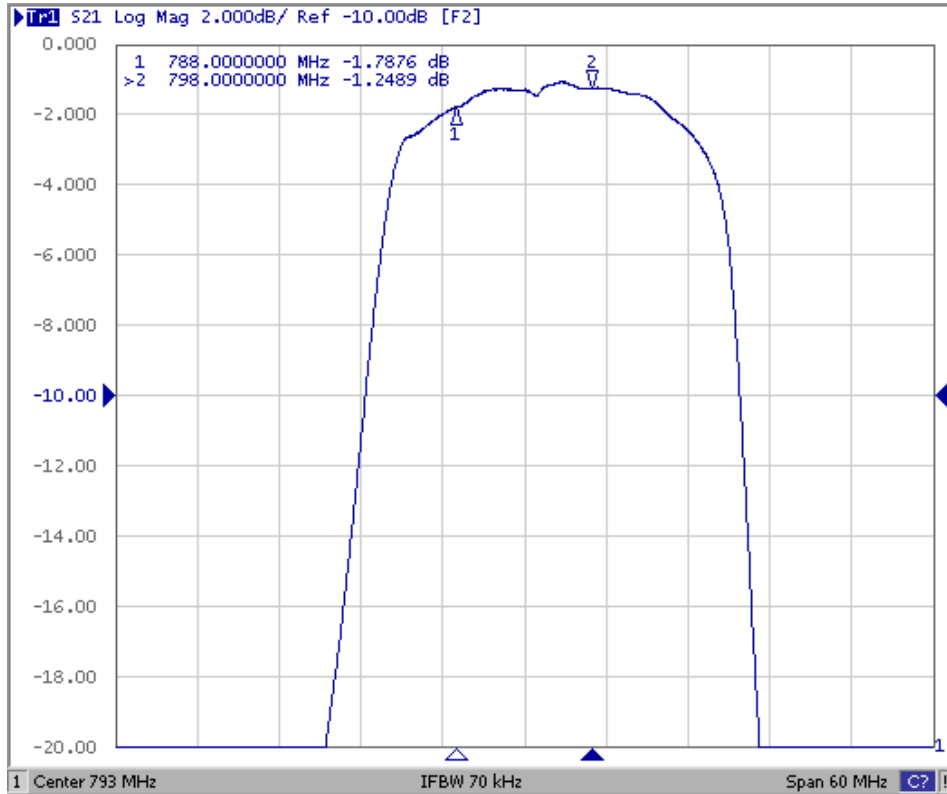
**E. PCB FOOTPRINT:**



**SAW Filter: 793.0MHz**  
**Part No: MP05488**

**Model: TA1409A**  
**Rev No: 1**

**F. FREQUENCY CHARACTERISTICS:** (typical performance at 25°C)



**SAW Filter: 793.0MHz**  
**Part No: MP05488**

**Model: TA1409A**  
**Rev No: 1**

Reflection Functions: (typical performance at 25°C)



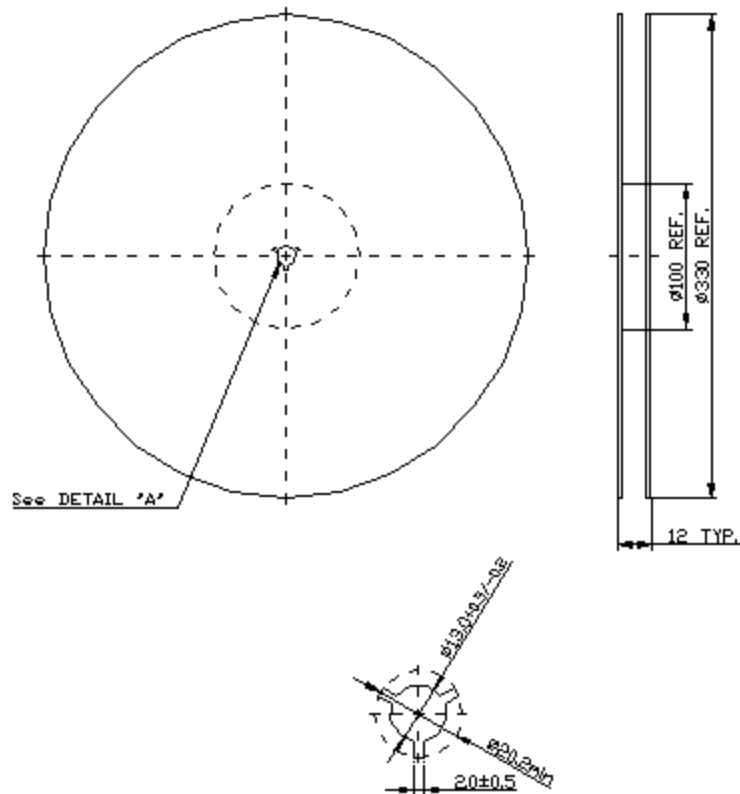
**SAW Filter: 793.0MHz**  
**Part No: MP05488**

**Model: TA1409A**  
**Rev No: 1**

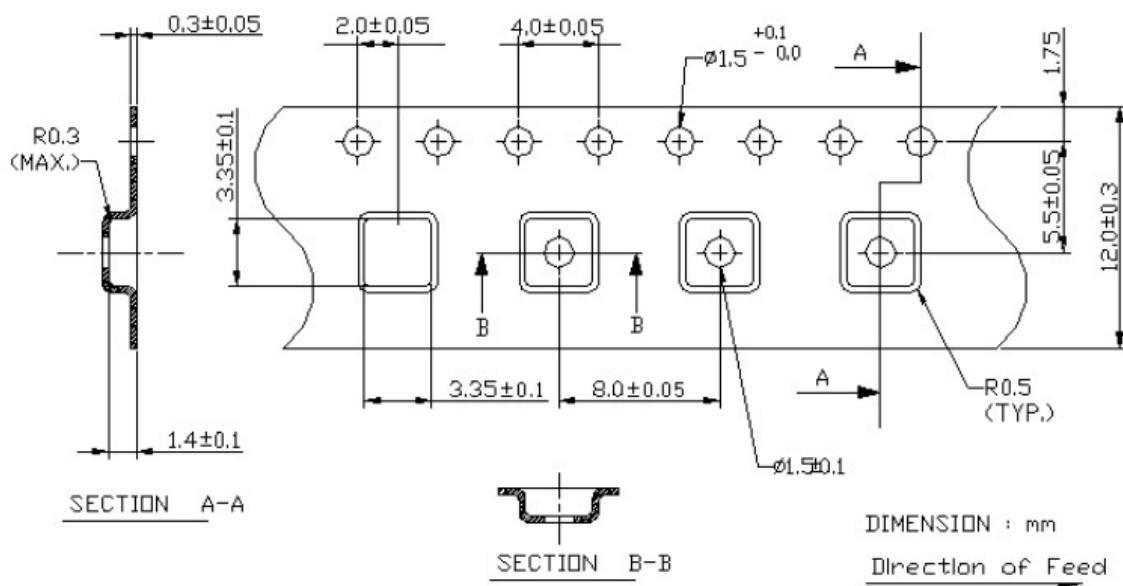
**G. PACKING:**

1. Reel Dimension

(Reel Count: 7" = 1000; 13" = 3000)



2. Tape Dimension



**SAW Filter: 793.0MHz**  
**Part No: MP05488**

**Model: TA1409A**  
**Rev No: 1**

**H. RECOMMENDED REFLOW PROFILE:**

1. Preheating shall be fixed at 150 ~ 180°C for 60 ~ 90 seconds.
2. Ascending time to preheating temperature 150°C shall be 30 seconds min.
3. Heating shall be fixed at 220°C for 50 ~ 80 seconds and at 250 ± 10°C peak (max. 10sec).
4. Time: 2 times.

