

SAW Filter 421.90MHz

Model: TA1638A

Part No: MP05534

Rev No: 2

A. MAXIMUM RATING:

Electrostatic Sensitive Device (ESD)

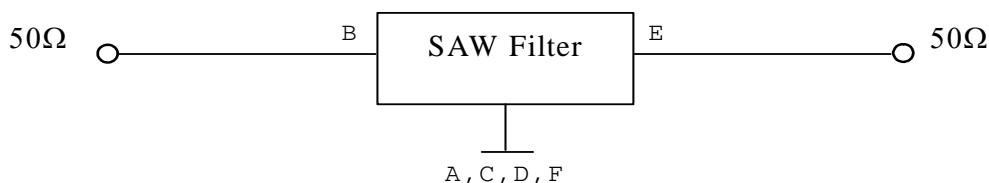
1. Input Power Level: 20dBm
2. DC Voltage: 7.5V
3. Operating Temperature: -40°C to +85°C
4. Storage Temperature: -40°C to +85°C

B. ELECTRICAL CHARACTERISTICS:

Item	Unit	Min.	Typ.	Max.
Center frequency Fc	MHz	-	421.9	-
Insertion Loss (420.9 ~ 422.9MHz) IL	dB	-	1.7	3.0
Amplitude Ripple (420.9 ~ 422.9MHz)	dB	-	0.3	1.2
VSWR (420.9 ~ 422.9MHz)	-	-	1.4	2.2
Attenuation (Reference level from 0dB)				
10 ~ 380MHz	dB	55	67	-
380 ~ 405MHz	dB	45	55	-
440 ~ 450MHz	dB	30	41	-
450 ~ 700MHz	dB	50	56	-
700 ~ 1000MHz	dB	42	55	-
Temperature coefficient of frequency	ppm/k	-	-36	-

C. MEASUREMENT CIRCUIT:

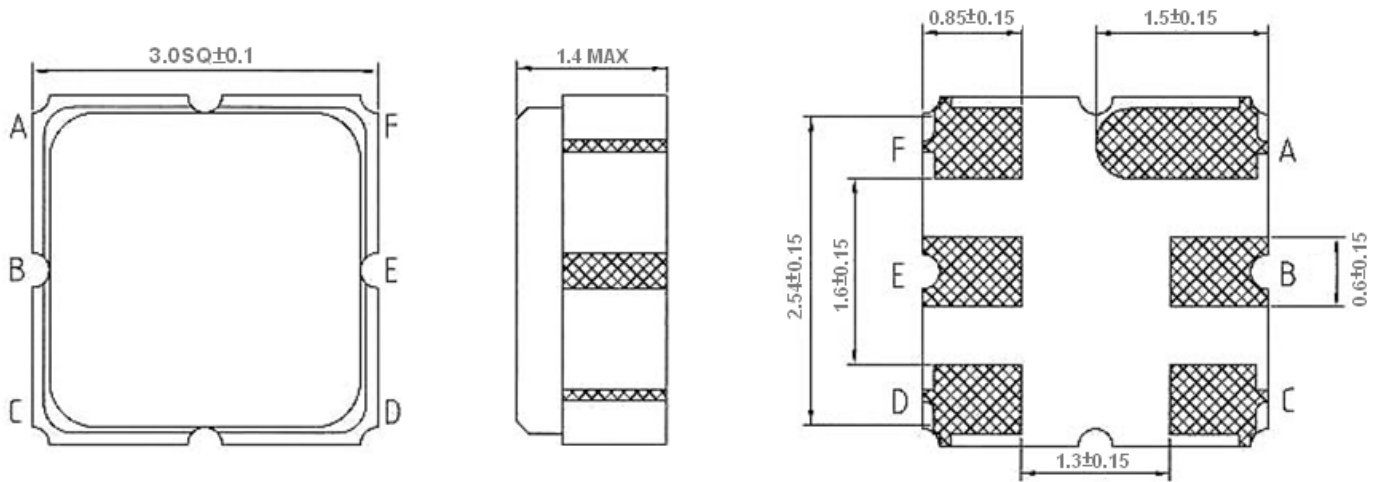
HP Network analyzer



SAW Filter 421.90MHz
Part No: MP05534

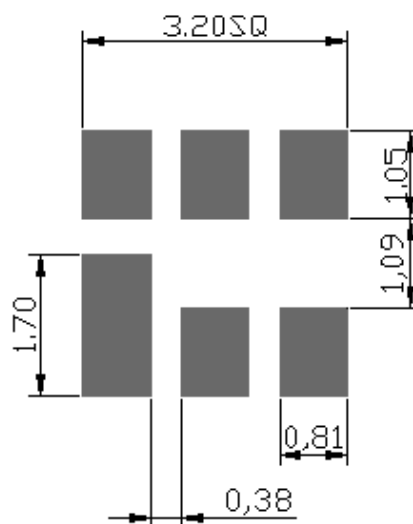
Model: TA1638A
Rev No: 2

D. OUTLINE DRAWING:



B: Input
E: Output
A, C, D, F: Ground
Unit: mm

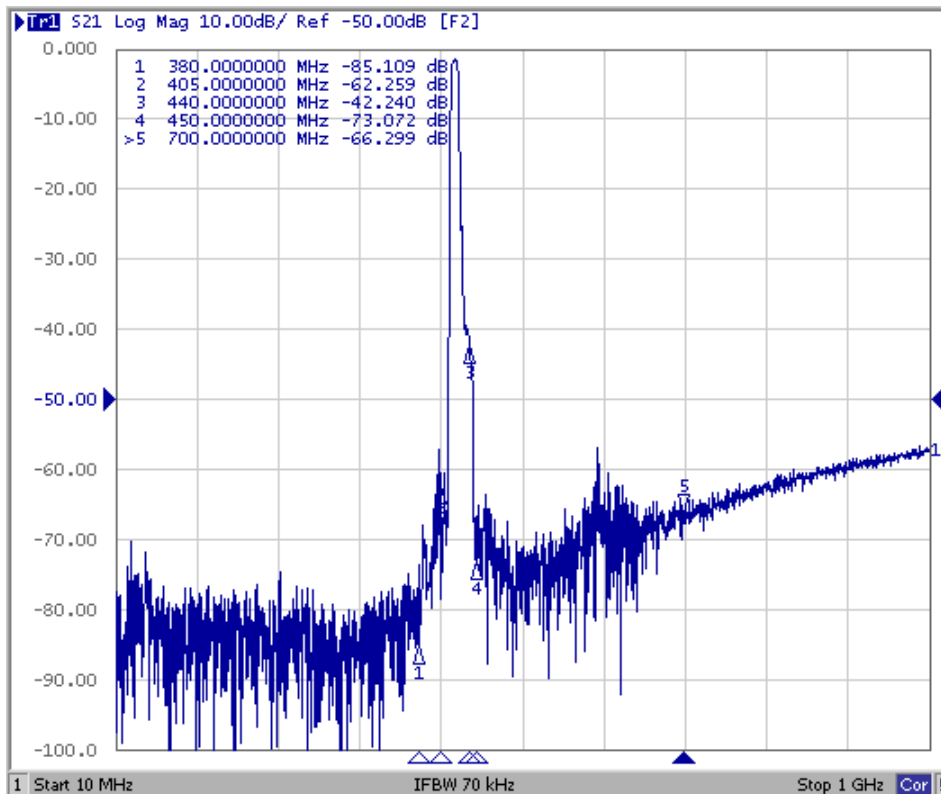
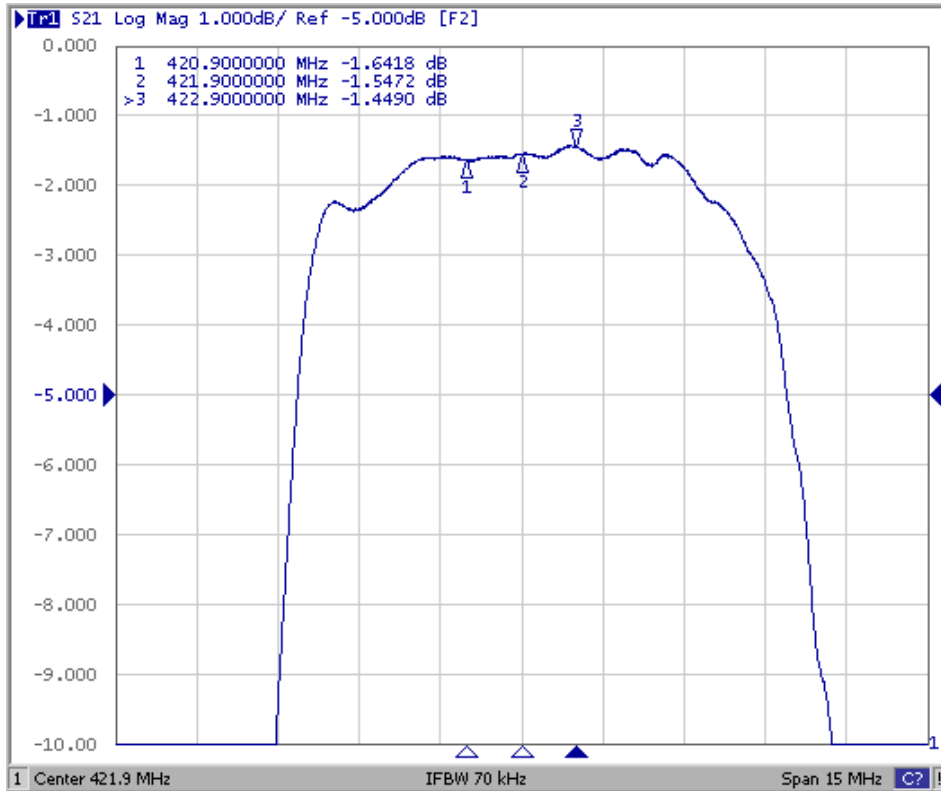
F. PCB FOOTPRINT:



SAW Filter 421.90MHz
Part No: MP05534

Model: TA1638A
Rev No: 2

F. FREQUENCY CHARACTERISTICS:

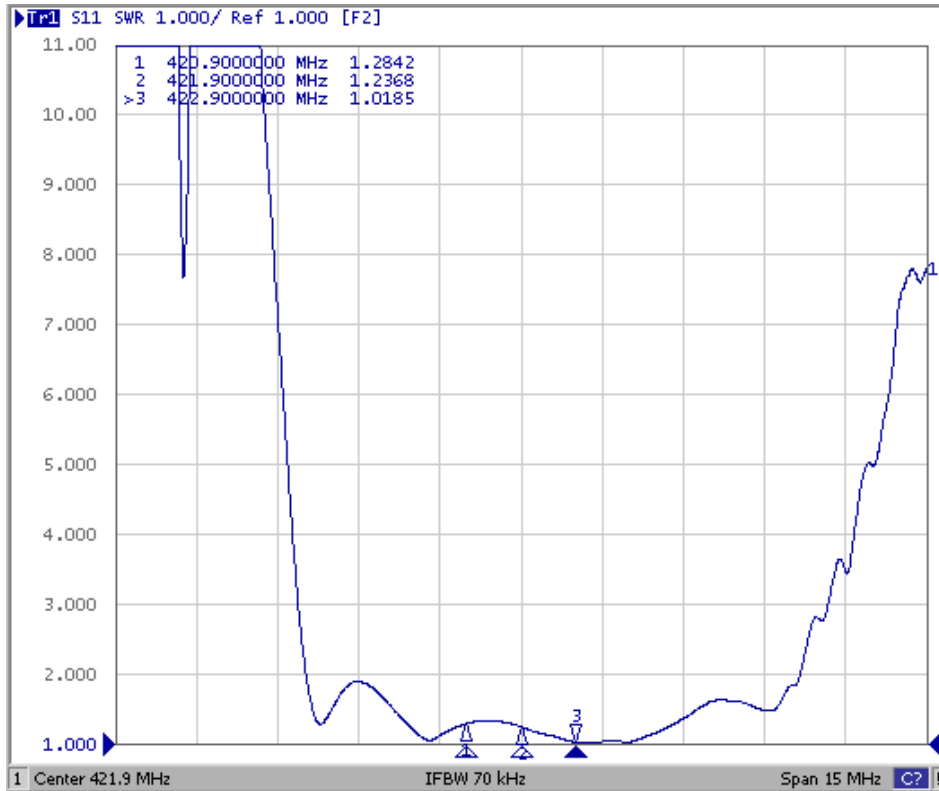


SAW Filter 421.90MHz
Part No: MP05534

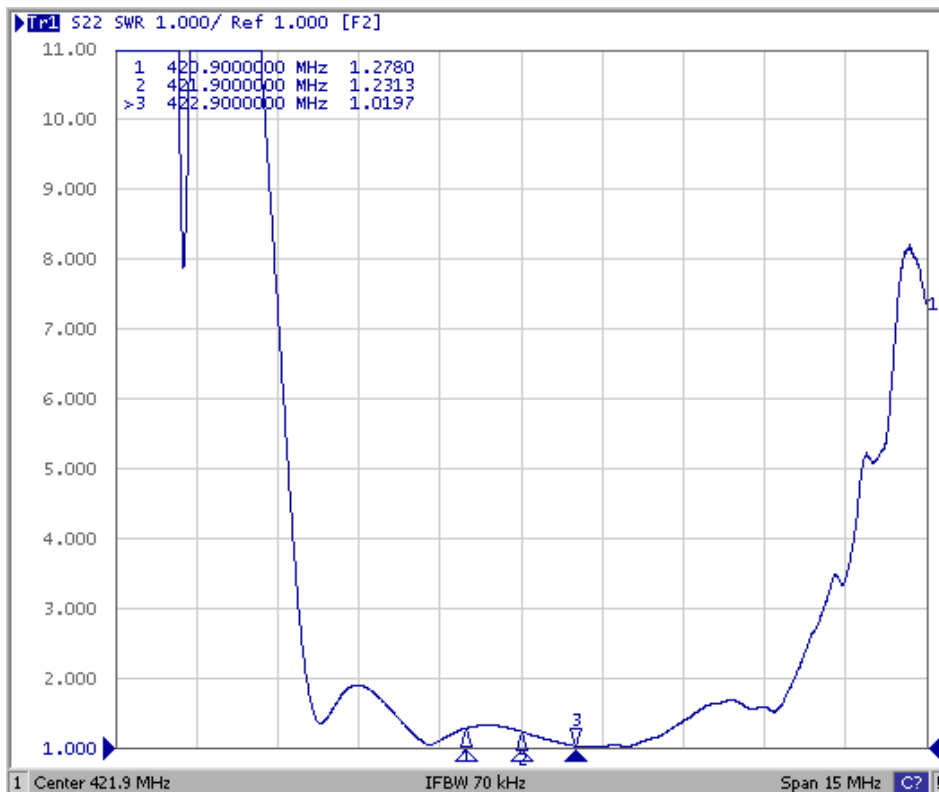
Model: TA1638A
Rev No: 2

Reflection Functions

S11



S22

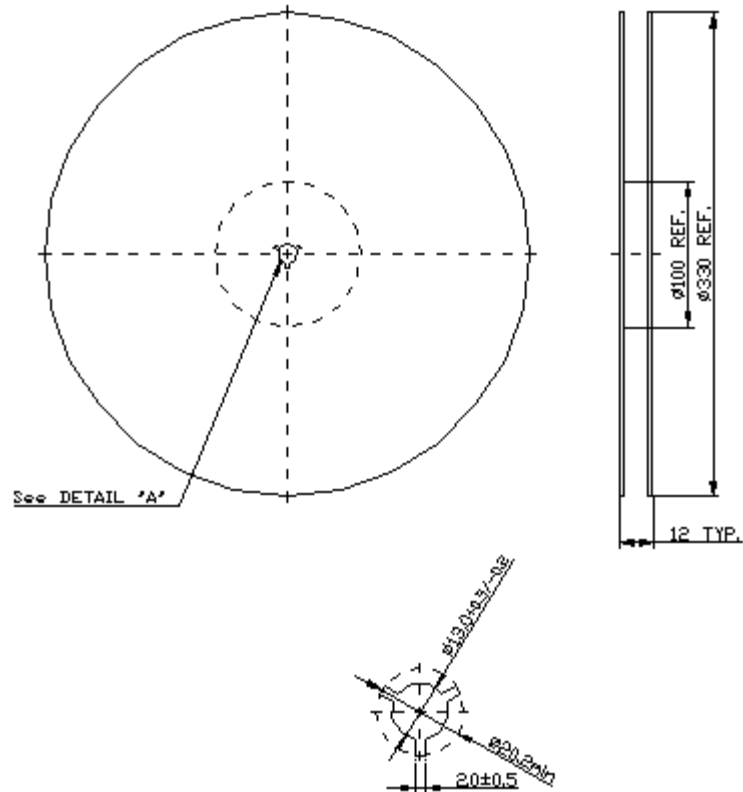


SAW Filter 421.90MHz
Part No: MP05534

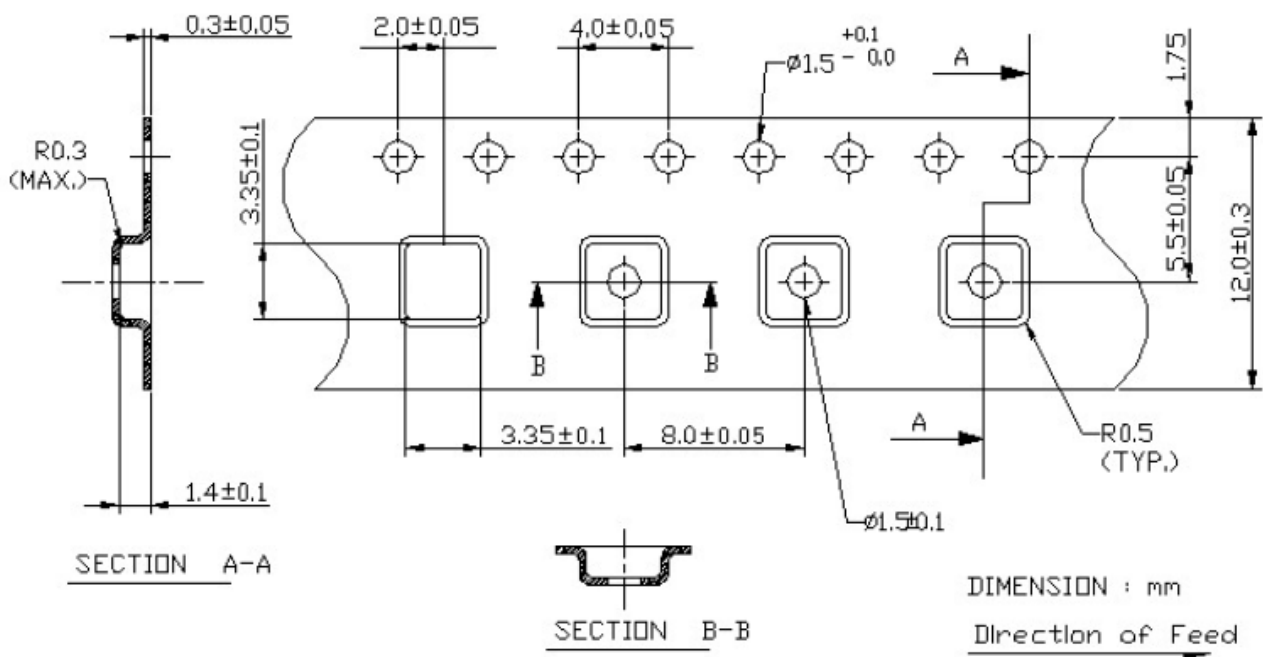
Model: TA1638A
Rev No: 2

G. PACKING:

1. Reel Dimension (Please refer to FR-75D10 for packing quantity)



2. Tape Dimension



DIMENSION : mm
 Direction of Feed

SAW Filter 421.90MHz
Part No: MP05534

Model: TA1638A
Rev No: 2

H. RECOMMENDED REFLOW PROFILE:

1. Preheating shall be fixed at 150 ~ 180°C for 60 ~ 90 seconds.
2. Ascending time to preheating temperature 150°C shall be 30 seconds min.
3. Heating shall be fixed at 220°C for 50 ~ 80 seconds and at 250 ± 10°C peak (max. 10 sec).
4. Time: 2 times.

