

SAW Filter: 265.0MHz
Part No: MP05535

Model: TA1485A
Rev No: 1

A. MAXIMUM RATING:

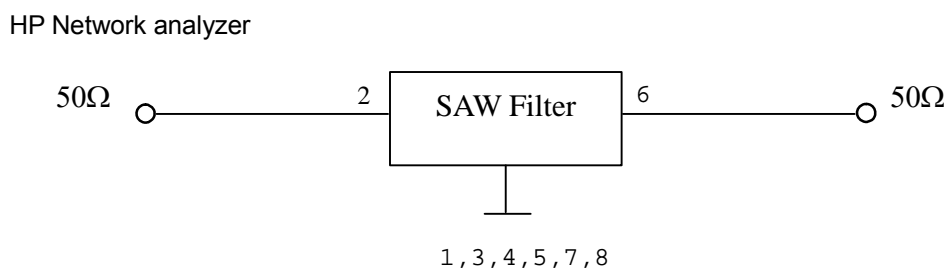
Electrostatic Sensitive Device (ESD)

1. Input Power Level: 10dBm
2. DC voltage: 5V
3. Operating Temperature: -30°C to +85°C
4. Storage Temperature: -55°C to +85°C

B. ELECTRICAL CHARACTERISTICS:

Item	Unit	Min.	Type.	Max.
Center frequency Fc	MHz	-	265	-
Insertion Loss (261 ~ 269MHz)	dB	-	2	4
Ripple (261~269MHz)	dB	-	1.8	2.2
Absolute Attenuation: (Reference level from 0dB)				
0.3 ~ 250MHz	dB	35	54	-
290 ~ 650MHz	dB	35	45	-
Source impedance Z _S	Ω	-	50	-
Load impedance Z _L	Ω	-	50	-

C. MEASUREMENT CIRCUIT:

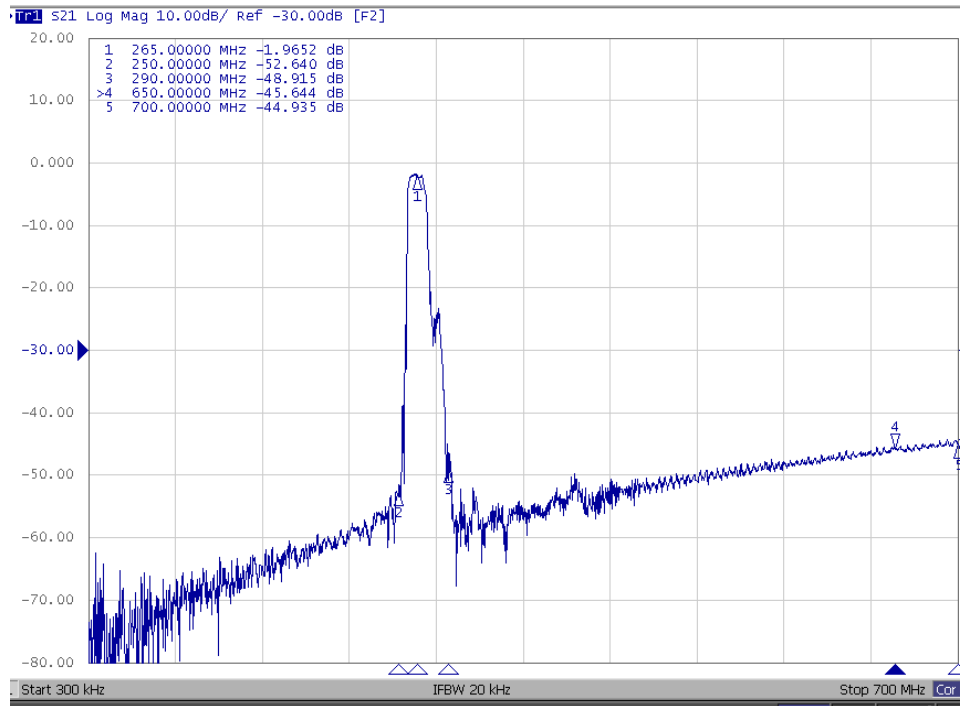


SAW Filter: 265.0MHz
Part No: MP05535

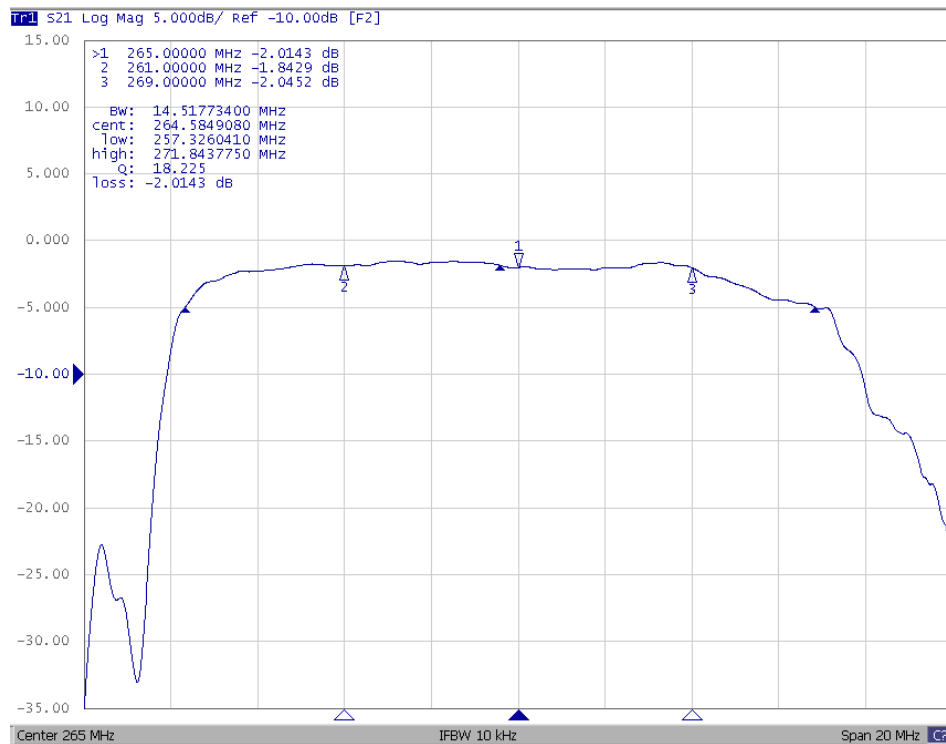
Model: TA1485A
Rev No: 1

D. FREQUENCY CHARACTERISTICS:

1. Wideband response



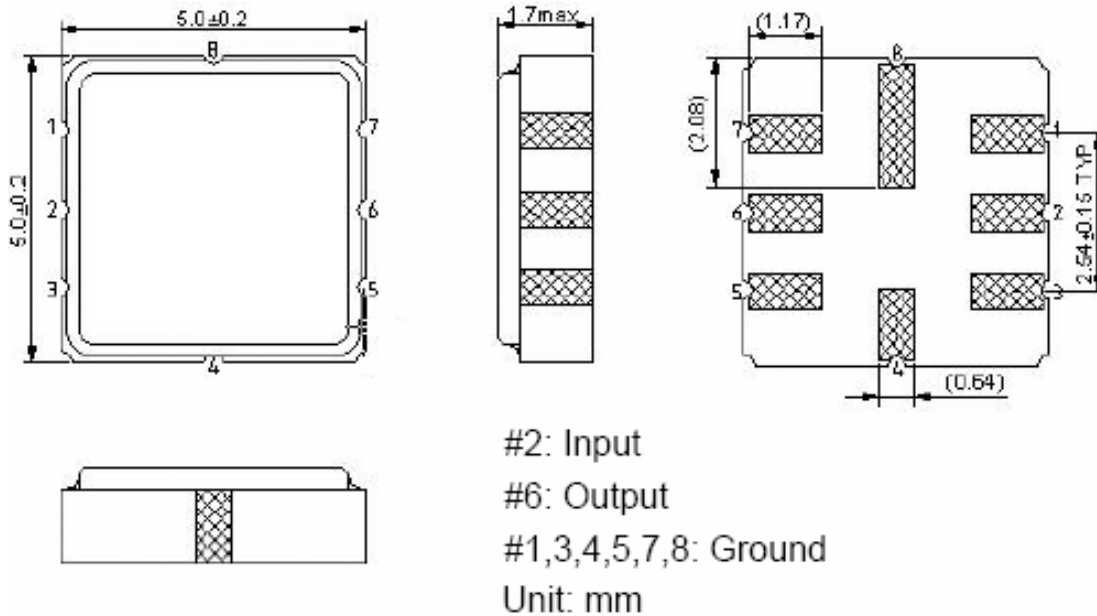
2. Narrowband response



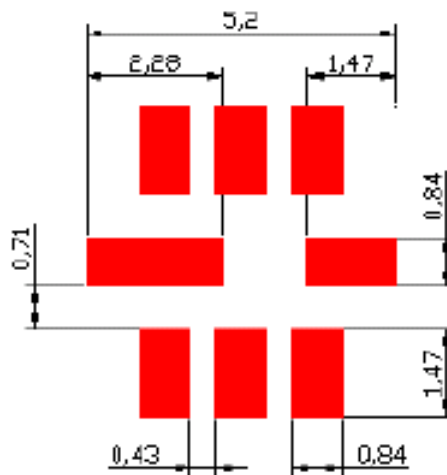
SAW Filter: 265.0MHz
Part No: MP05535

Model: TA1485A
Rev No: 1

E. OUTLINE DRAWING:



F. PCB FOOTPRINT:

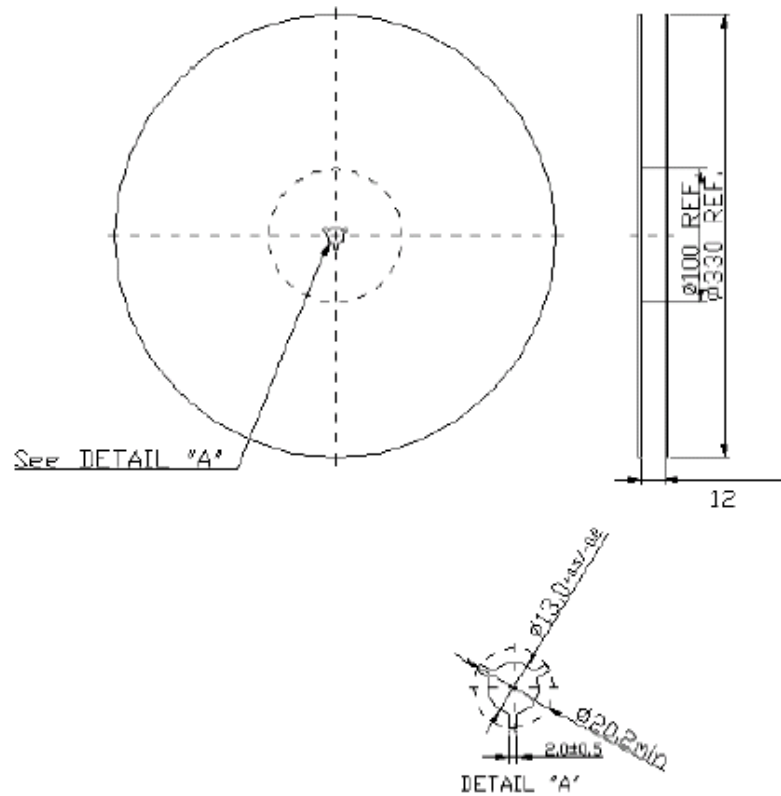


SAW Filter: 265.0MHz
Part No: MP05535

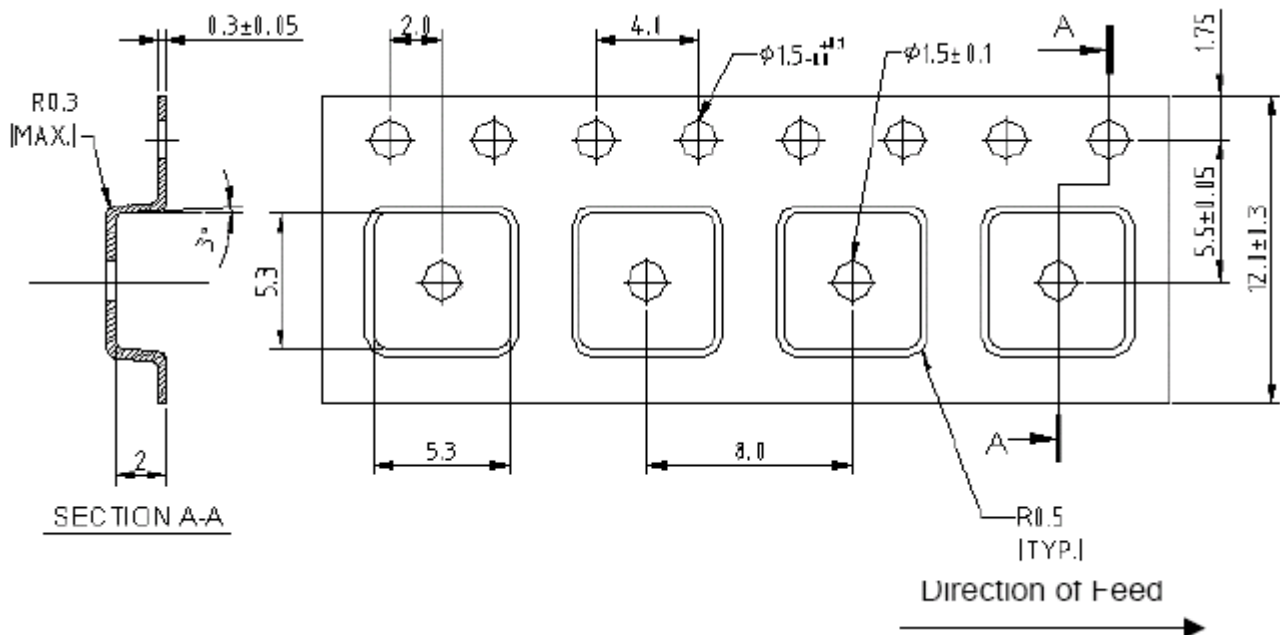
Model: TA1485A
Rev No: 1

G. PACKING:

1. Reel dimension (Reel Count: 7" = 1k pcs, 13" = 3k, or per the customer's requirement)



2. Tape dimension



SAW Filter: 265.0MHz
Part No: MP05535

Model: TA1485A
Rev No: 1

H. RECOMMENDED REFLOW PROFILE:

