

**SAW Filter: 627.0MHz**

**Model: TA1357A**

**Part No: MP05545**

**Rev No: 1**

**A. MAXIMUM RATING:**

Electrostatic Sensitive Device (ESD)

1. Input Power Level: 10dBm
2. DC voltage: 5V
3. Operating Temperature: -30°C to 60°C
4. Storage Temperature: -40°C to +85°C

**B. CHARACTERISTICS:**

Item	Unit	Min.	Typ.	Max.
Center frequency $F_c$	MHz	-	627	-
Amplitude ripple (615 ~ 639MHz)	dB	-	0.8	1.7
Insertion loss, IL (615 ~ 639MHz)	dB	-	2.2	3.0
Group Delay GD (615 ~ 639MHz)	ns	-	38	200
Bandwidth @ -3dB		24	41.3	-
Attenuation (reference from 0dB)				
0.3 ~ 550MHz	dB	33	38	-
550 ~ 590MHz	dB	10	23	-
660 ~ 720MHz	dB	10	25	-
720 ~ 850MHz	dB	38	43	-
850 ~ 1102MHz	dB	32	37	-
Source impedance $Z_S$	$\Omega$	-	50	-
Load impedance $Z_L$	$\Omega$	-	50	-

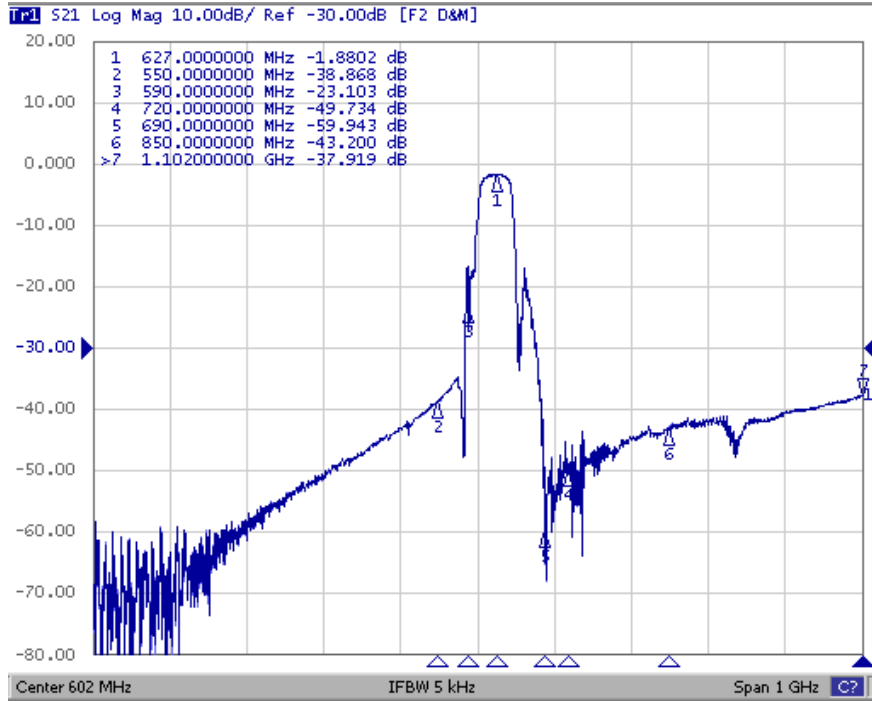
Note: No matching network required for operation at 50 $\Omega$ .

**SAW Filter: 627.0MHz**  
**Part No: MP05545**

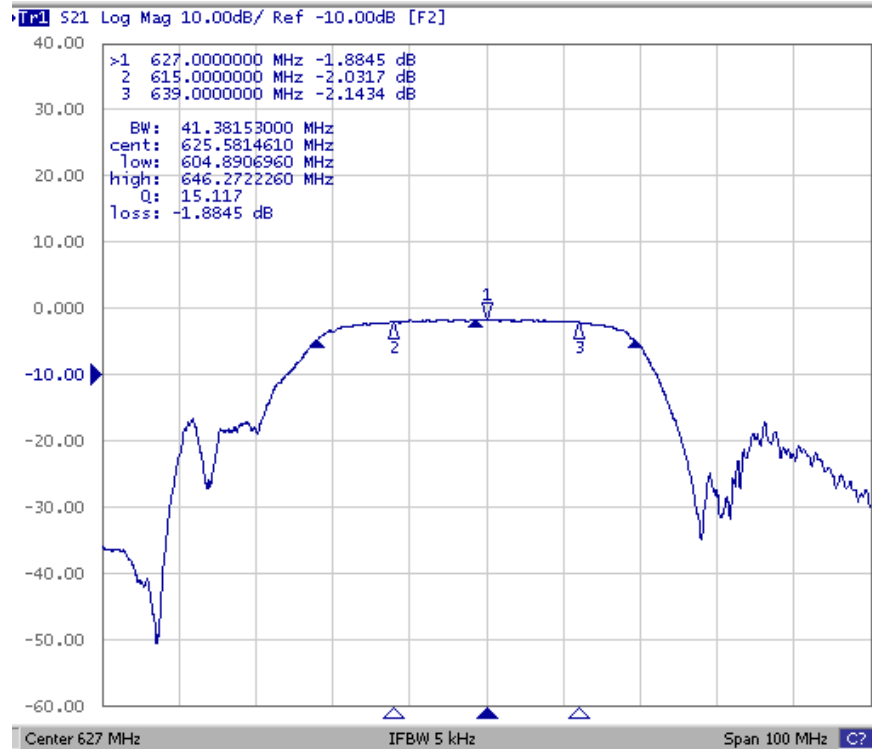
**Model: TA1357A**  
**Rev No: 1**

**C. FREQUENCY CHARACTERISTICS:**

1. Wideband



2. Passband

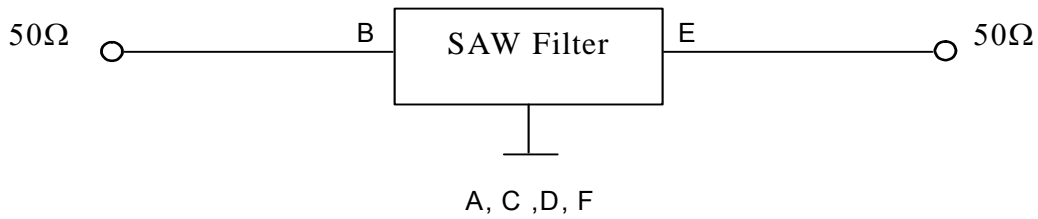


**SAW Filter: 627.0MHz**  
**Part No: MP05545**

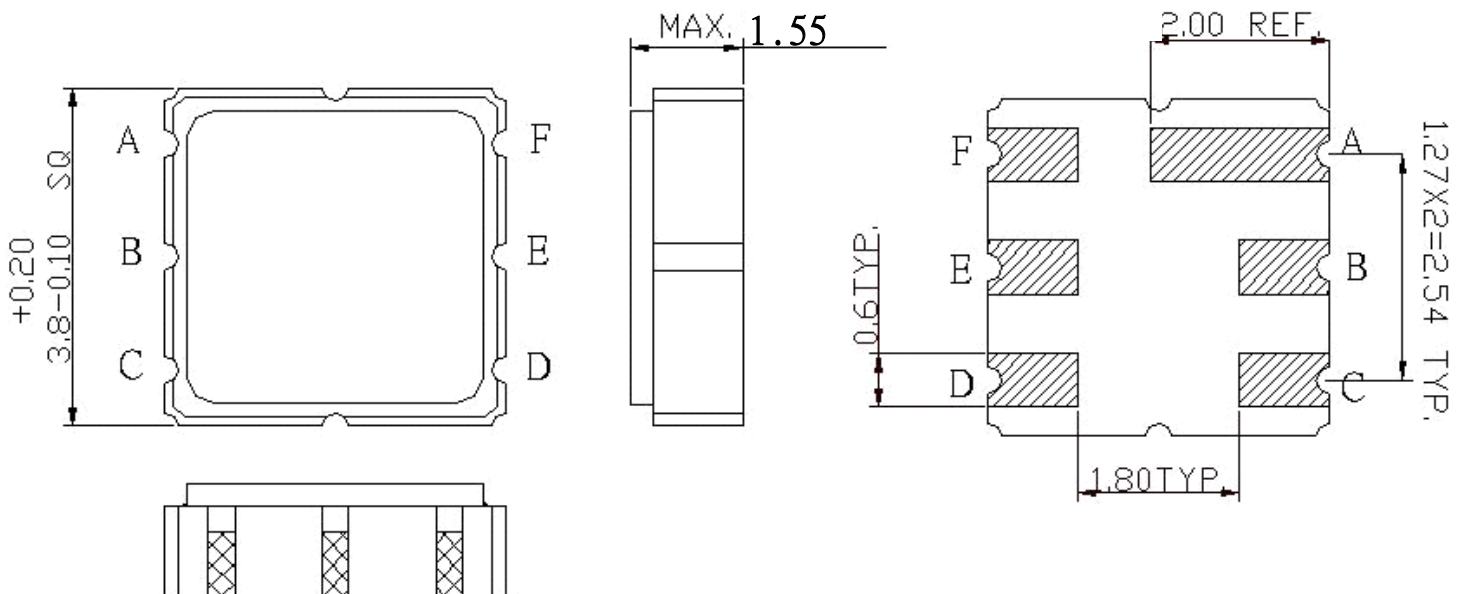
**Model: TA1357A**  
**Rev No: 1**

**D. MEASUREMENT CIRCUIT:**

HP Network analyzer



**E. OUTLINE DRAWING:**



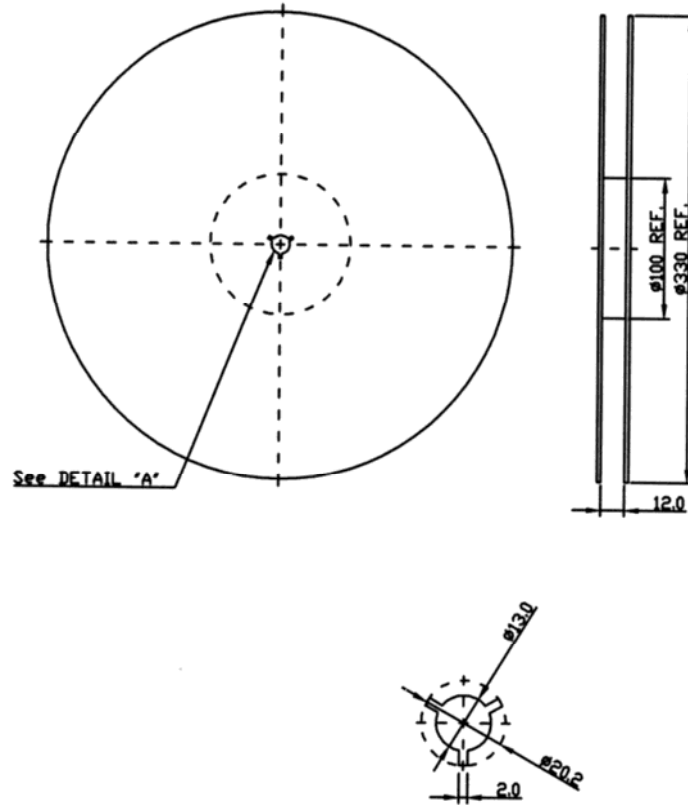
B: Input  
 E: Output  
 A, C, D, F: Ground  
 Unit: mm

**SAW Filter: 627.0MHz**  
**Part No: MP05545**

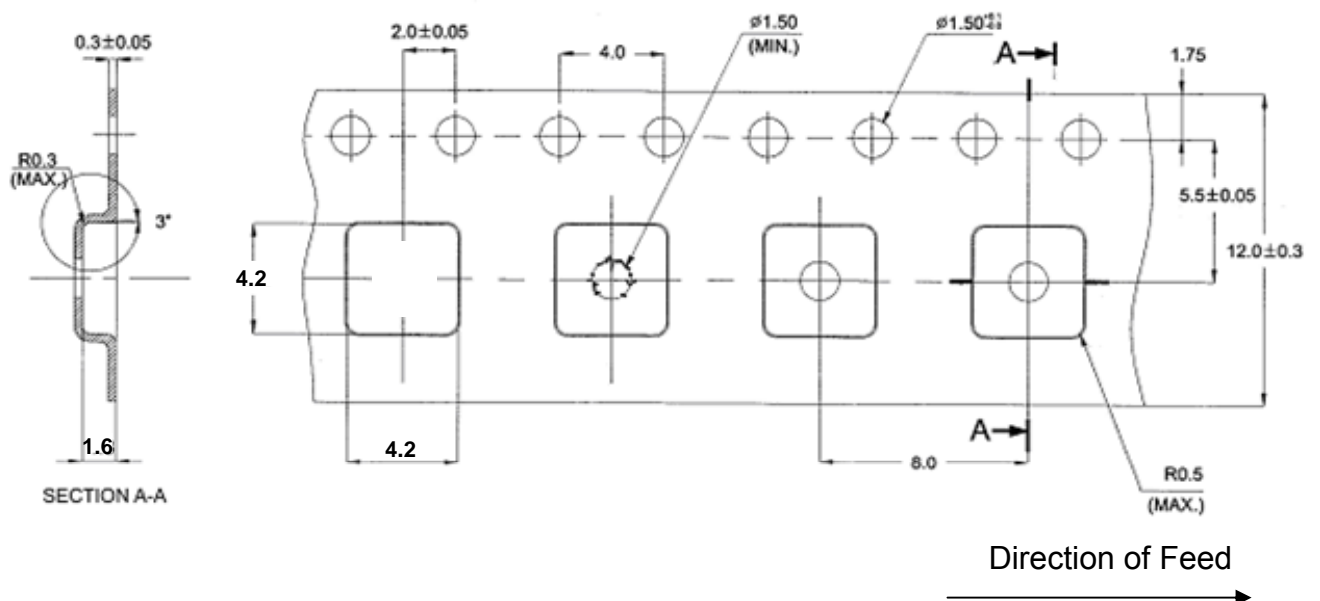
**Model: TA1357A**  
**Rev No: 1**

**F. PACKING:**

1. Reel Dimension



2. Tape Dimension



**SAW Filter: 627.0MHz**  
**Part No: MP05545**

**Model: TA1357A**  
**Rev No: 1**

**G. RECOMMENDED REFLOW PROFILE:**

