

SAW Filter: 781.50MHz
Part No: MP05604

Model: TA1609A
Rev No: 1

A. MAXIMUM RATING:

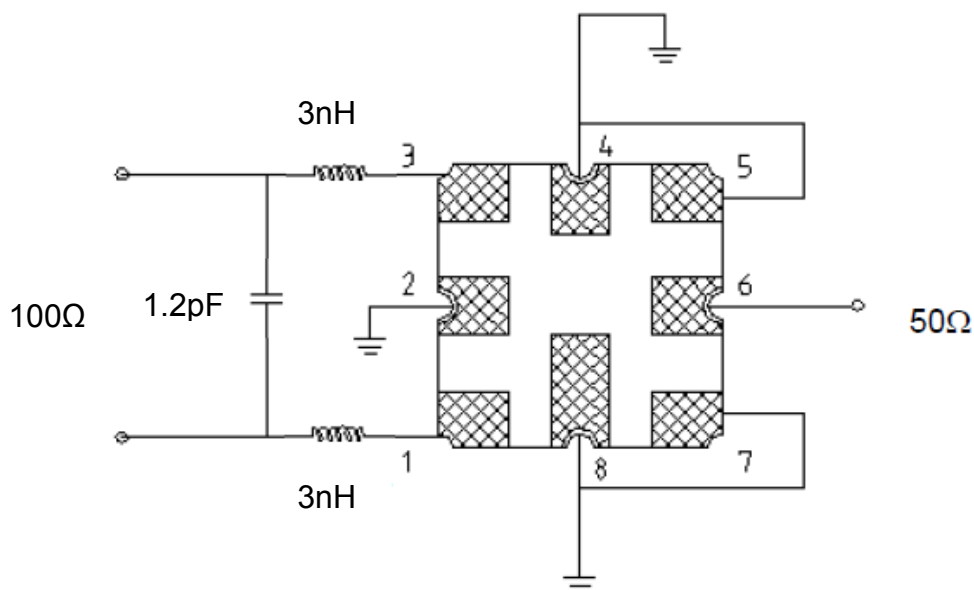
Electronic Sensitive Device (ESD)

1. Input Power Level: +25dBm
2. DC Voltage: 3V
3. Operating Temperature: -40°C to +85°C
4. Storage Temperature: -40°C to +85°C

B. ELECTRICAL CHARACTERISTICS:

Item	Unit	Min.	Typ.	Max.
Center Frequency Fc	MHz	-	781.5	-
Insertion loss (777 ~ 787MHz) IL	dB	-	2.6	3.4
Bandwidth	MHz	10	29	-
Amplitude Ripple (777 ~ 787MHz)	dB	-	0.3	1
Attenuation (Reference level from 0dB)				
300 ~ 700MHz	dB	28	46	-
728 ~ 757MHz	dB	10	40	-
880 ~ 1050MHz	dB	28	42	-
Temperature Coefficient of Frequency	ppm/°C	-	-36	-

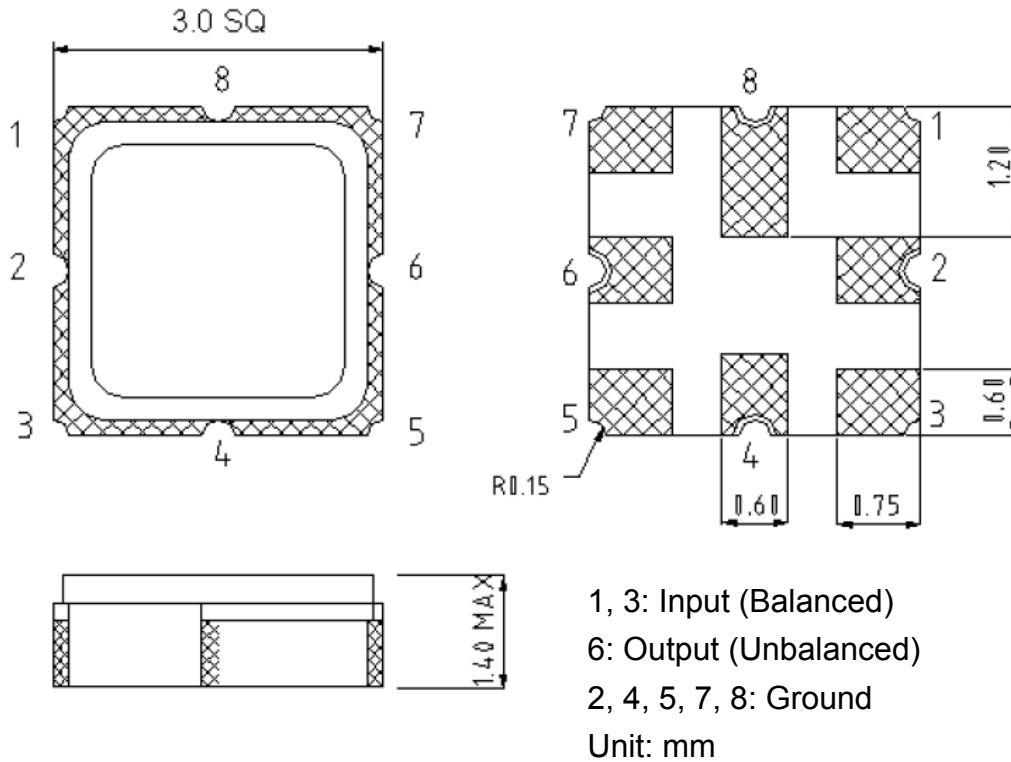
C. MEASUREMENT CIRCUIT:



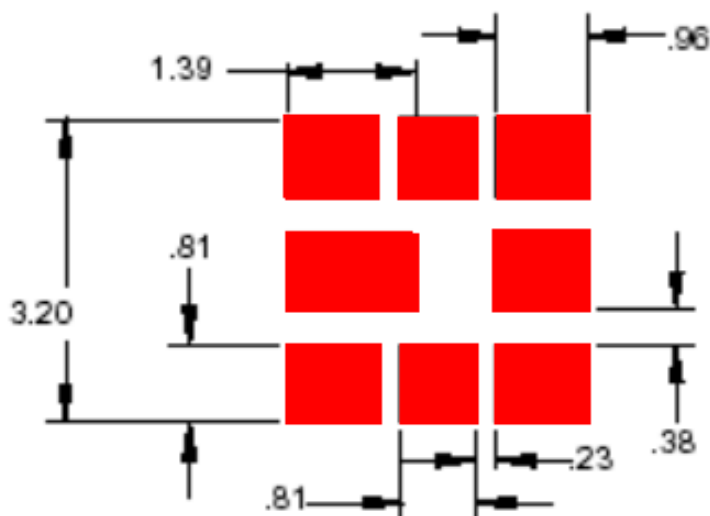
SAW Filter: 781.50MHz
Part No: MP05604

Model: TA1609A
Rev No: 1

D. OUTLINE DRAWING:



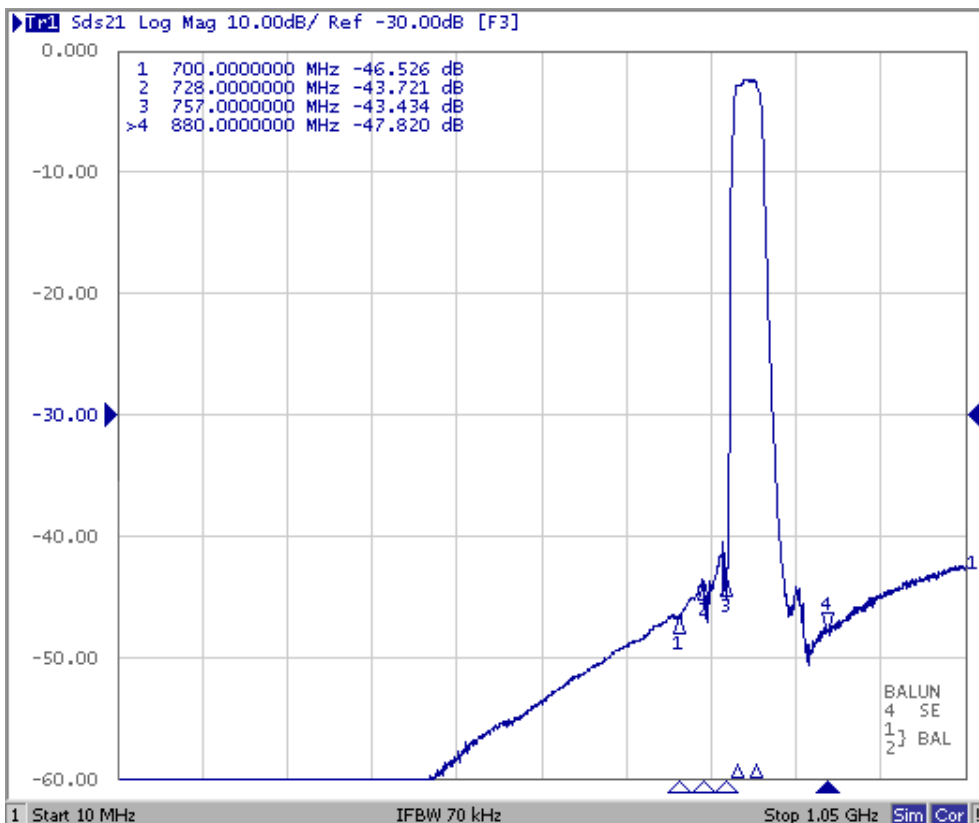
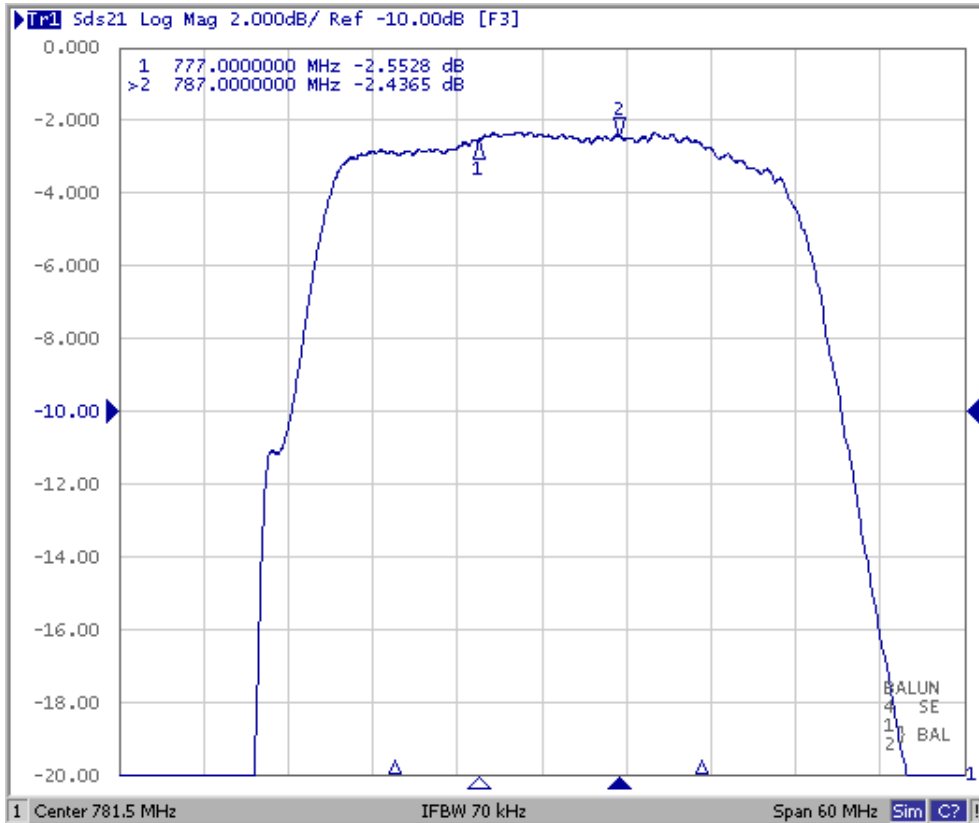
E. PCB FOOTPRINT:



SAW Filter: 781.50MHz
Part No: MP05604

Model: TA1609A
Rev No: 1

F. FREQUENCY CHARACTERISTICS:



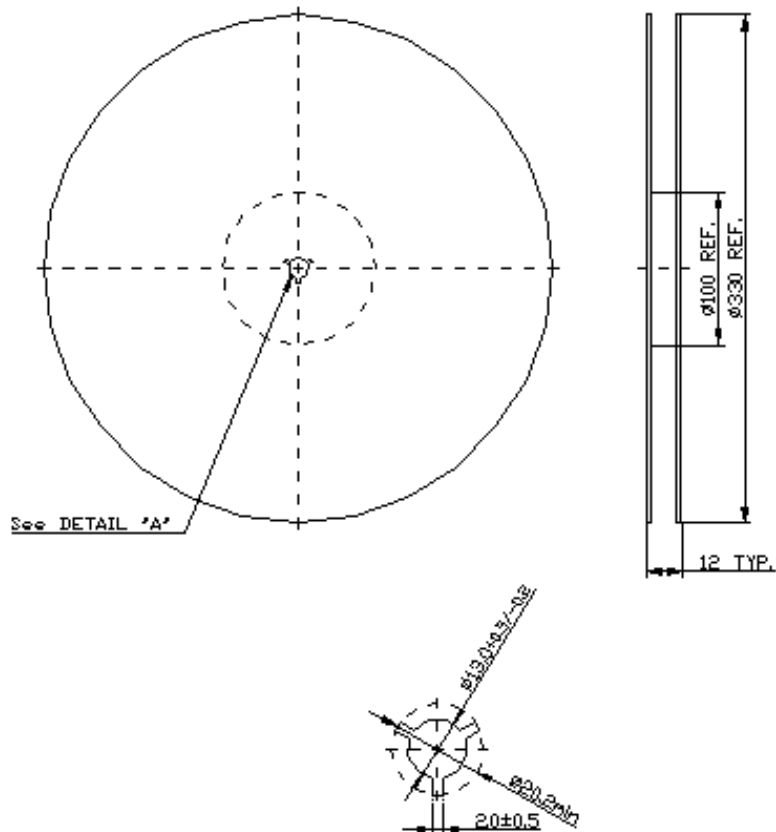
SAW Filter: 781.50MHz
Part No: MP05604

Model: TA1609A
Rev No: 1

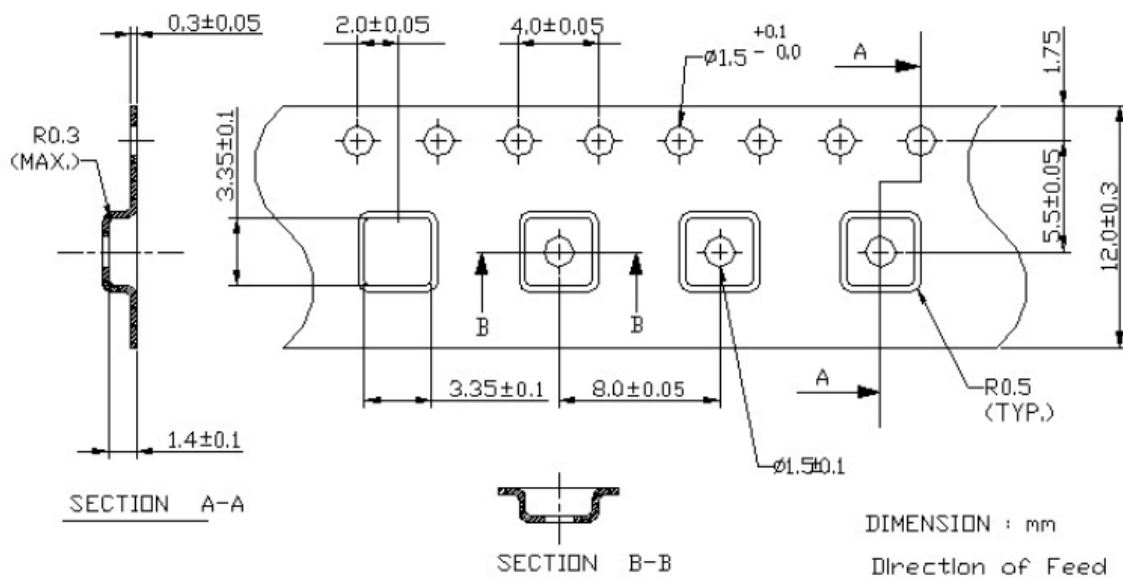
G. PACKING:

1. Reel Dimension

(Please refer to FR-75D10 for packing quantity)



2. Tape Dimension



SAW Filter: 781.50MHz
Part No: MP05604

Model: TA1609A
Rev No: 1

H. RECOMMENDED REFLOW PROFILE:

