

SAW Filter 480.0MHz
Part No: MP05663

Model: TA1631A
Rev. No: 1

A. MAXIMUM RATING:

Electrostatic Sensitive Device (ESD)

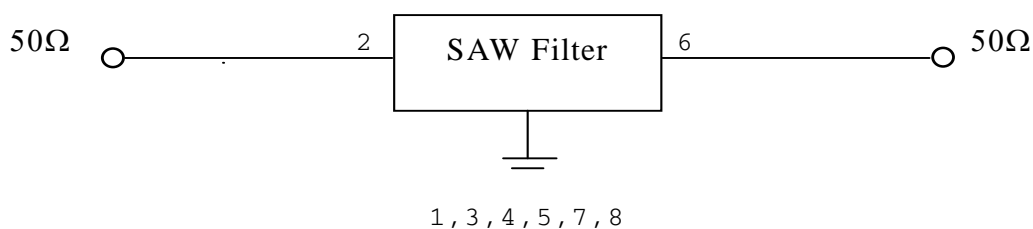
1. Input Power Level: 13dBm
2. DC Voltage: 10V
3. Operating Temperature: -40°C to +85°C
4. Storage Temperature: -40°C to +85°C

B. ELECTRICAL CHARACTERISTICS:

Item	Unit	Min.	Typ.	Max.
Center frequency Fc	MHz	-	480	-
Insertion Loss (478 ~ 482MHz) IL	MHz	-	1.7	3.0
Bandwidth @ -1Db	MHz	-	13	-
VSWR (478 ~ 482MHz)	-	-	1.2	2.0
Attenuation (Reference level from 0dB)				
10 ~ 450MHz	dB	45	49	-
508 ~ 1000MHz	dB	38	42	-
1700 ~ 1745MHz	dB	30	44	-
2400 ~ 3000MHz	dB	3	5	-
Temperature coefficient of frequency	ppm/k	-	-36	-

C. MEASUREMENT CIRCUIT:

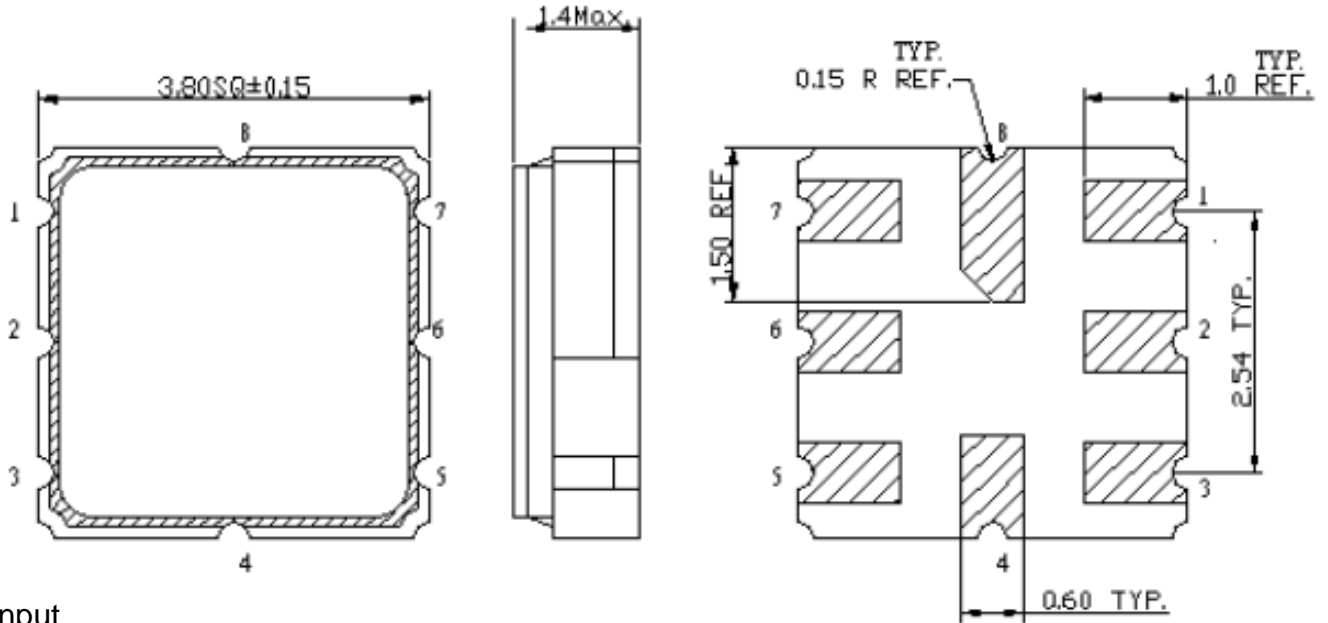
HP Network analyzer



SAW Filter 480.0MHz
Part No: MP05663

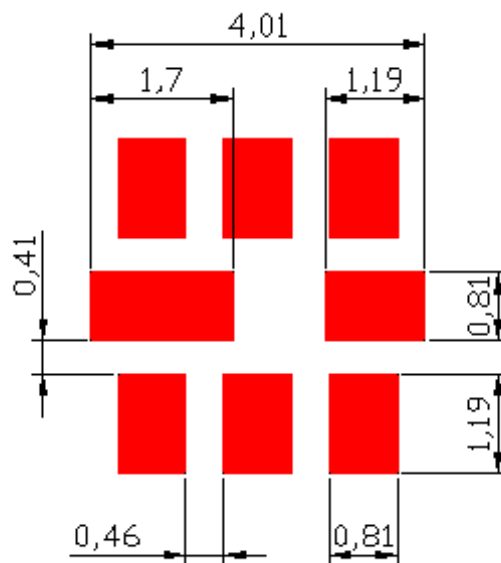
Model: TA1631A
Rev. No: 1

D. OUTLINE DRAWING:



- 2: Input
 - 6: Output
 - 1, 3, 4, 5, 7, 8: Ground
- Unit: mm

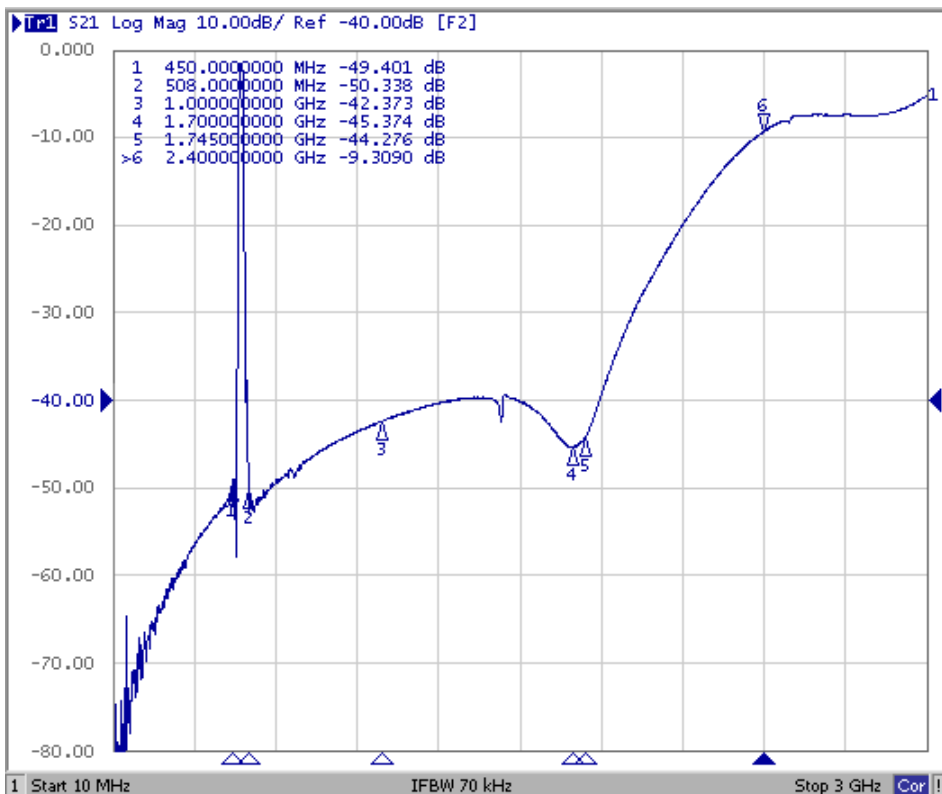
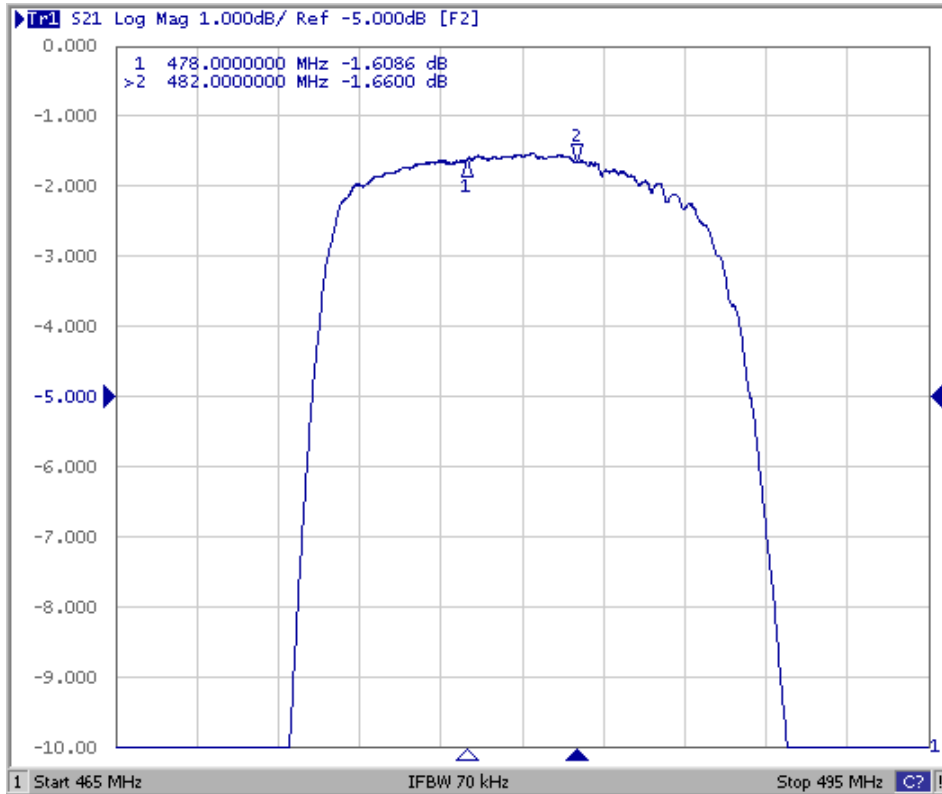
E. PCB FOOTPRINT:



SAW Filter 480.0MHz
Part No: MP05663

Model: TA1631A
Rev. No: 1

F. FREQUENCY CHARACTERISTICS:

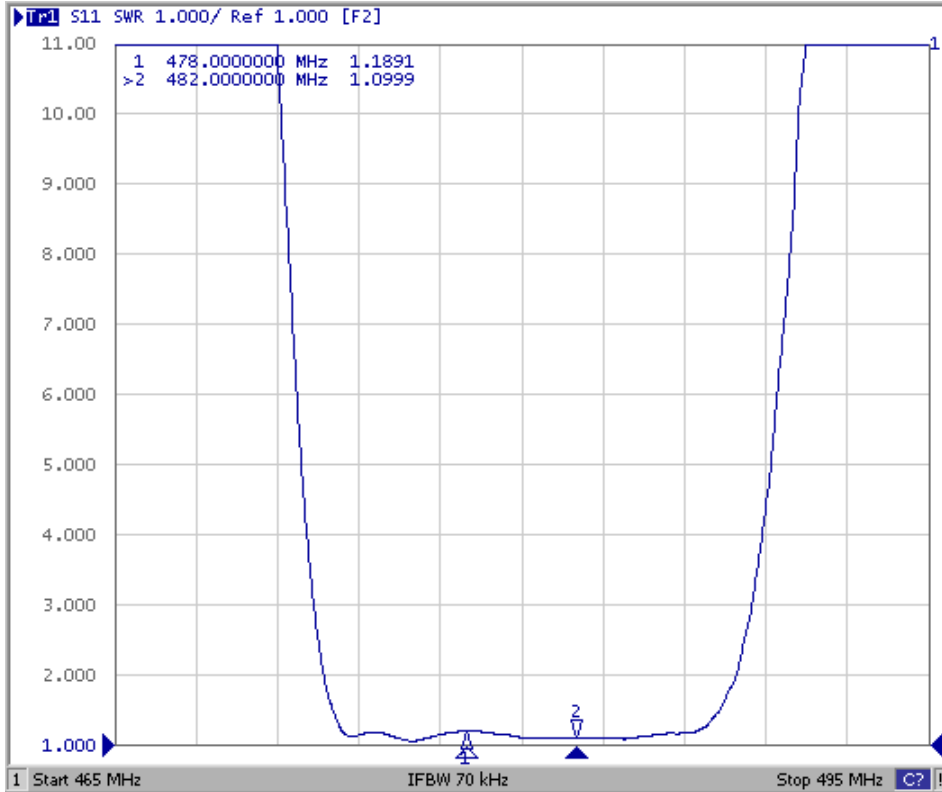


SAW Filter 480.0MHz
Part No: MP05663

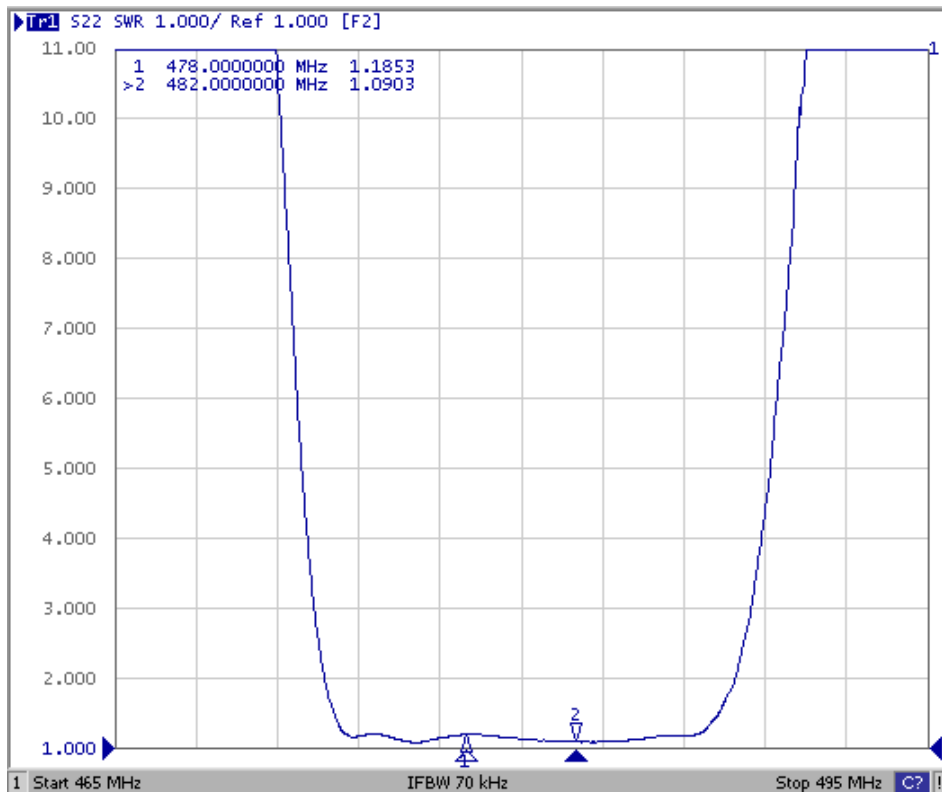
Model: TA1631A
Rev. No: 1

Reflection Functions

S11



S22



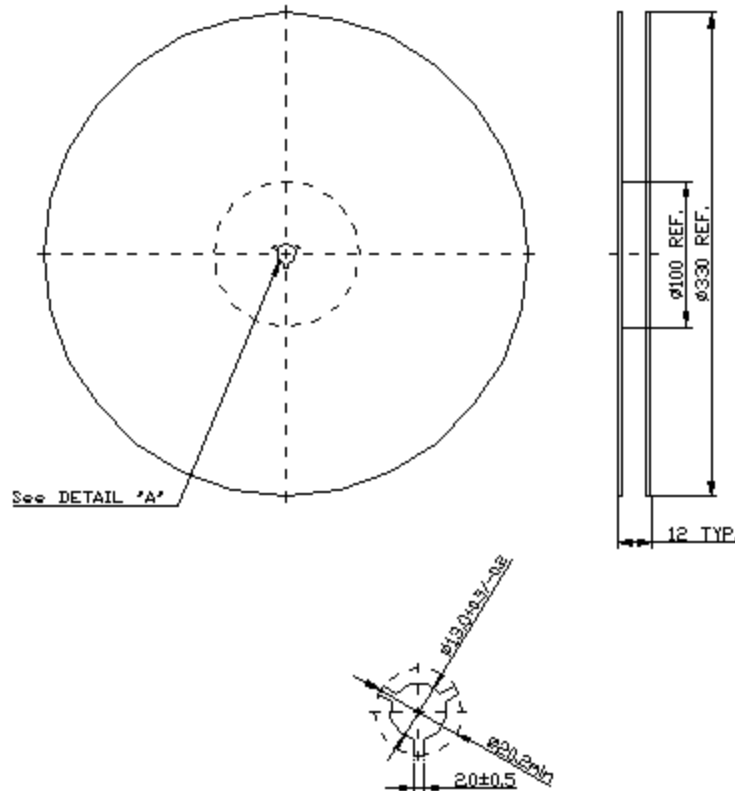
SAW Filter 480.0MHz
Part No: MP05663

Model: TA1631A
Rev. No: 1

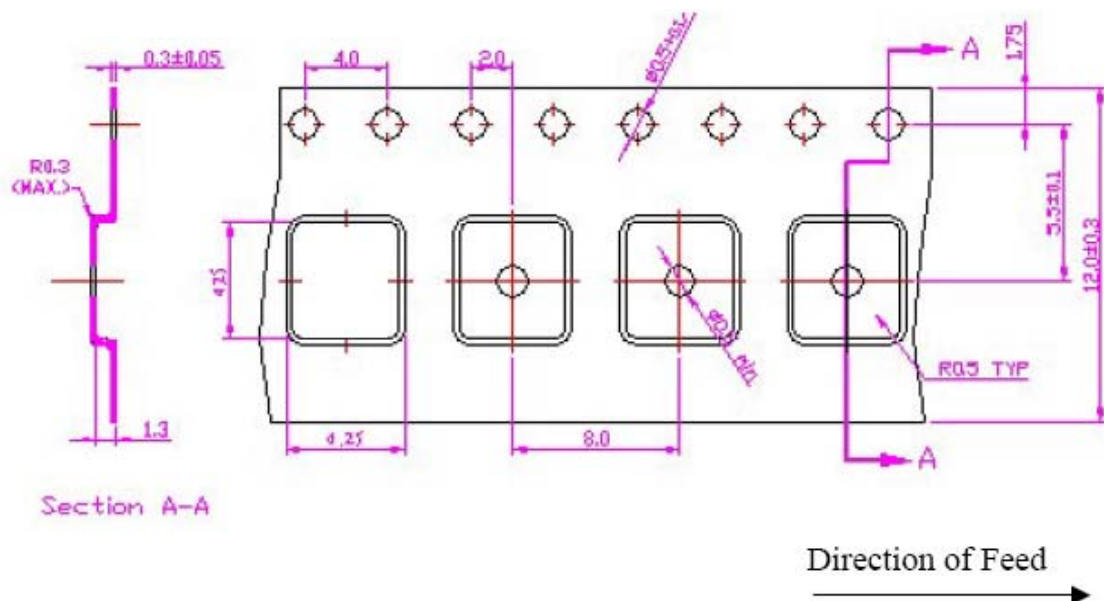
G. PACKING:

1. Reel Dimension

(Please refer to FR-75D10 for packing quantity)



2. Tape Dimension



SAW Filter 480.0MHz
Part No: MP05663

Model: TA1631A
Rev. No: 1

H. RECOMMENDED REFLOW PROFILE:

