

SAW Filter 63.30MHz
Part No: MP05681

Model: TB1065A
Rev No: 1

A. MAXIMUM RATING:

Electrostatic Sensitive Device (ESD)

1. Maximum Input Power: 10dBm
2. Operating Temperature: -40°C ~ +85°C
3. Storage Temperature: -40°C ~ +85°C

B. CHARACTERISTICS:

Ambient Temperature: 25°C

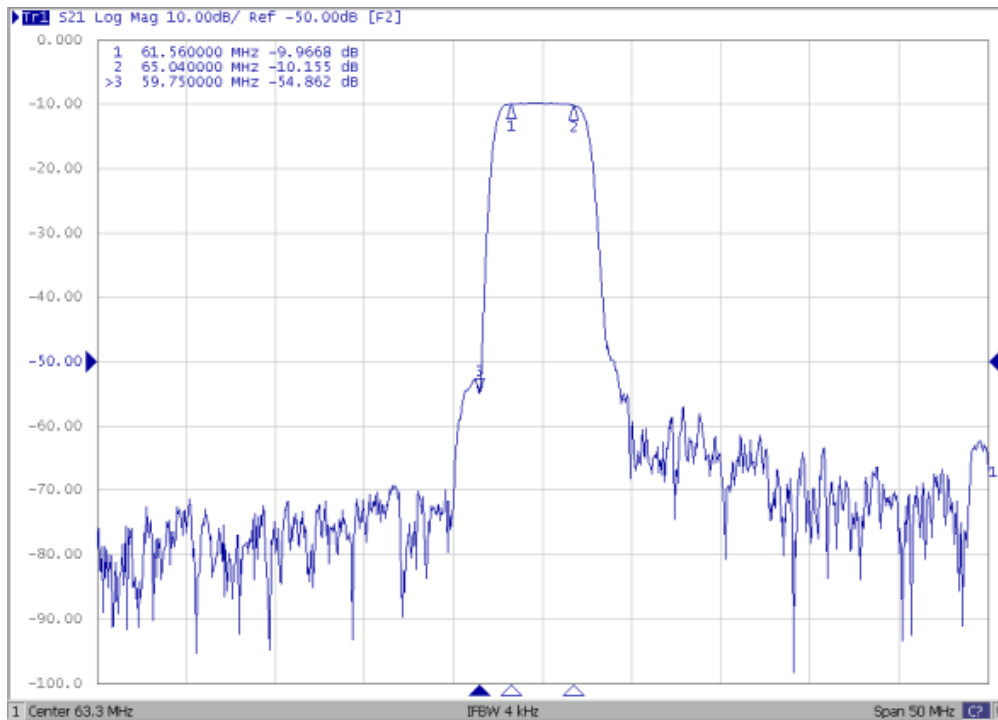
Item	Unit	Min.	Typ.	Max.
Center frequency Fc	MHz	-	63.3	-
Insertion Loss IL	dB	-	9.8	12.0
-1 dB Bandwidth	MHz	4	4.46	-
Amplitude Ripple Fc ± 1.74MHz	dB	-	0.4	1.2
Group-delay Ripple Fc ± 2.0MHz	dB	-	65	150
Relative Attenuation (Ref: Max IL)				
10 ~ 55MHz	dB	40	48	-
At 59.75MHz	dB	12	44	-
71 ~110MHz	dB	37	43	-
Temp Coefficient	ppm/K			

SAW Filter 63.30MHz
Part No: MP05681

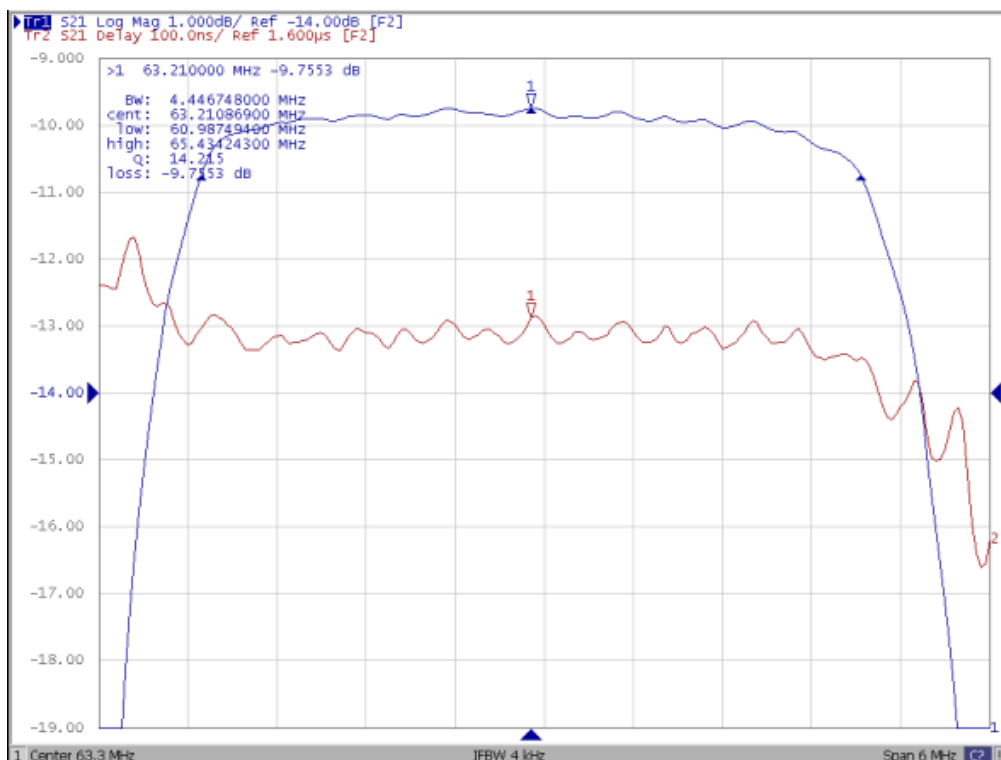
Model: TB1065A
Rev No: 1

C. FREQUENCY CHARACTERISTICS:

1. S21 Response: (span 50MHz)



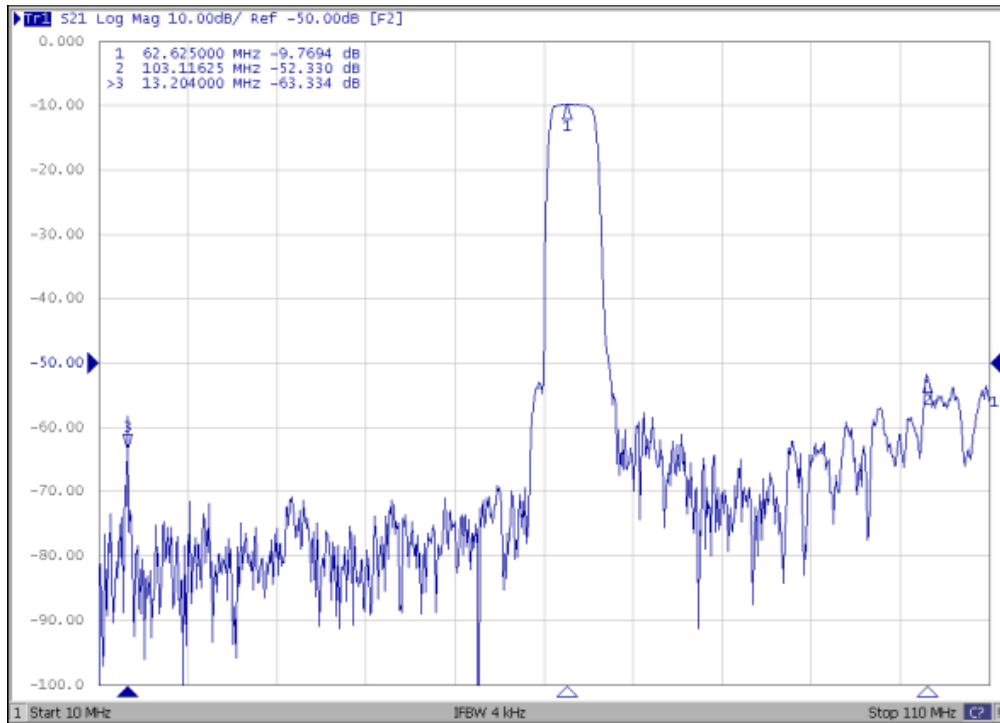
2. S21 Response: (span 6MHz)



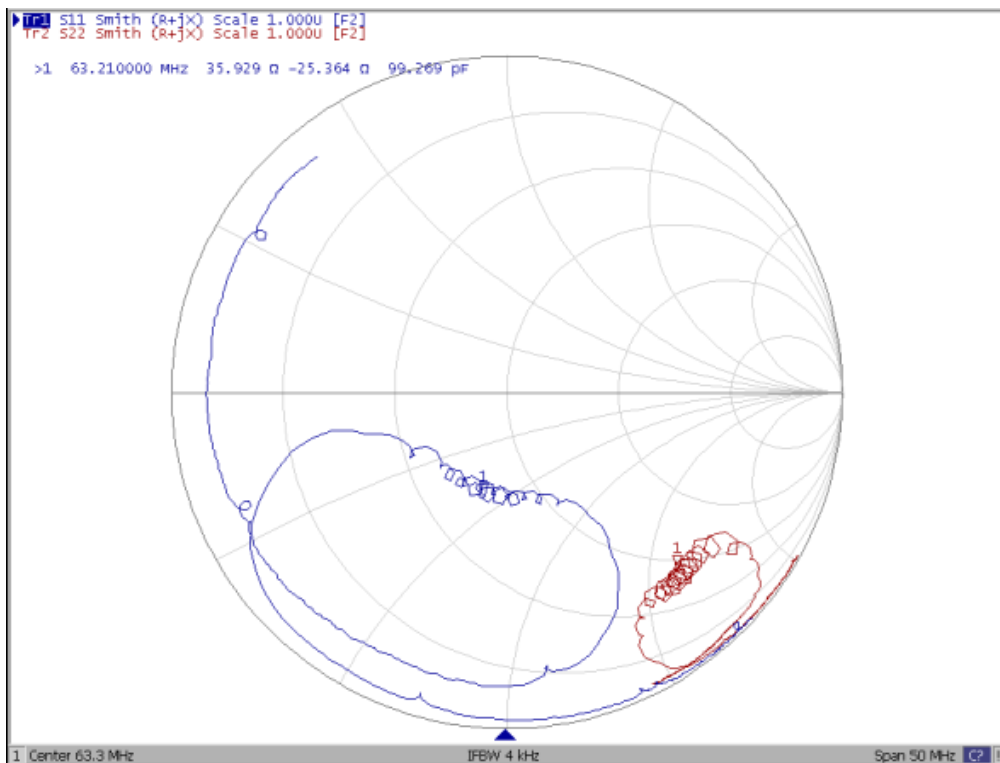
SAW Filter 63.30MHz
Part No: MP05681

Model: TB1065A
Rev No: 1

3. S21 Response: (span 100MHz)



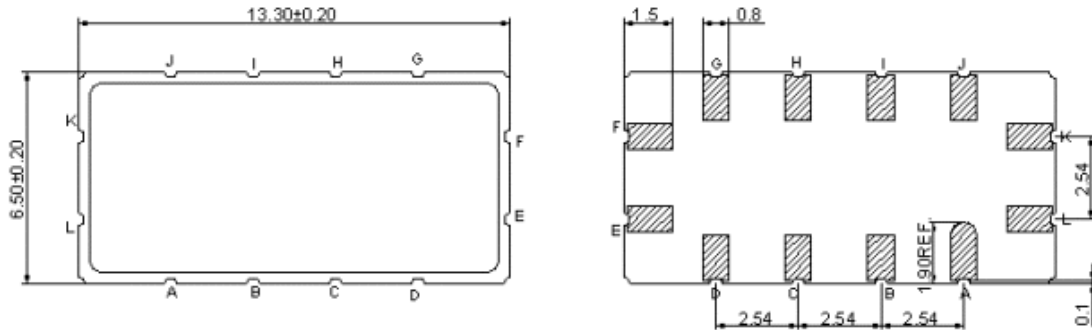
4. S11&S22 Smith-Chart



SAW Filter 63.30MHz
Part No: MP05681

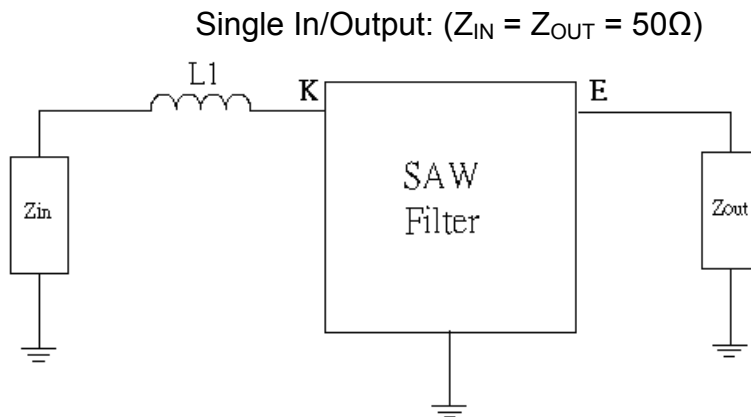
Model: TB1065A
Rev No: 1

D. OUTLINE DRAWING:



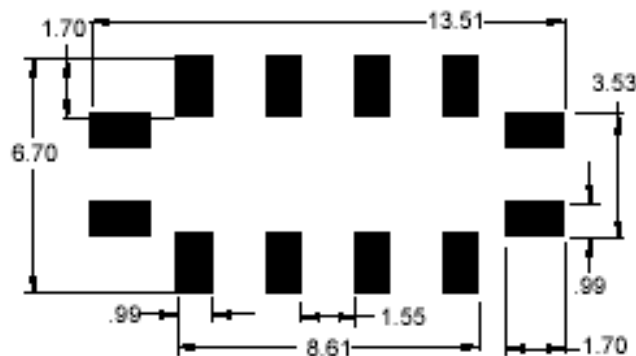
K: RF input
 E: RF output
 A, B, C, D, G, H, I, L, F, J: To be Ground
 Unit: mm

E. MEASUREMENT CIRCUITS:



L1 = 180nH

F. PCB FOOTPRINT:

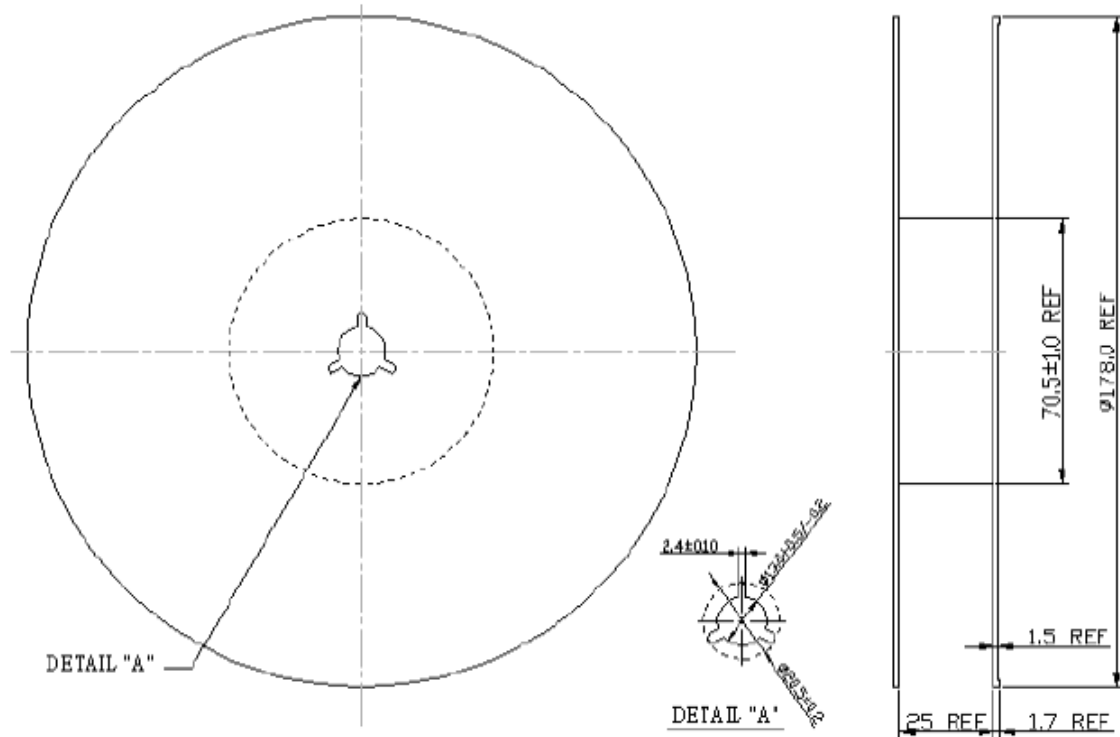


SAW Filter 63.30MHz
Part No: MP05681

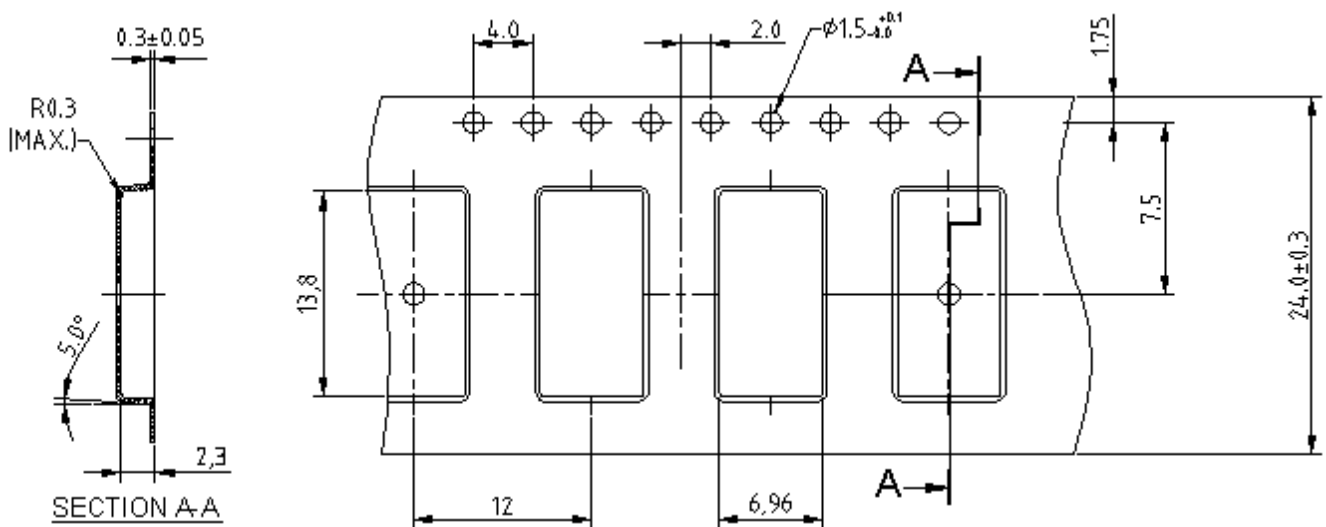
Model: TB1065A
Rev No: 1

G. PACKAGE:

1. Reel Dimension



2. Tape Dimension



SAW Filter 63.30MHz
Part No: MP05681

Model: TB1065A
Rev No: 1

H. RECOMMENDED REFLOW PROFILE:

