

SAW Filter 130.340MHz
Part No: MP05743

Model: TB1114A
Rev. No: 1

A. MAXIMUM RATING:

Electrostatic Sensitive Device

1. Operating temperature range: -30°C to 65°C
2. Storage temperature range: -40°C to 85°C
3. Input Power Level: 10dBm
4. Maximum DC Voltage: 10V

B. CHARACTERISTICS:

Item	Unit	Min.	Typ.	Max.
Center frequency Fc	MHz	-	130.34	-
Insertion Loss IL	dB	-	13.8	16.0
1dB Band Width	MHz	27.0	29.4	
Amplitude Ripple Fc ± 12.5MHz	dB	-	0.6	1.0
Group Delay Fc ± 12.5MHz	ns	-	50	80
Absolute Group Delay at Fc	ns	-	1270	-
Attenuation (Reference level from typical Insertion loss)				
DC ~ 104MHz	dB	40	47	
153MHz ~ 800MHz	dB	40	46	
Temperature Coefficient	ppm/°C	-	-94	-
Source Impedance	Ohm	-	50	-
Load Impedance	Ohm	-	50	-

SAW Filter 130.340MHz
Part No: MP05743

Model: TB1114A
Rev. No: 1

C. FREQUENCY CHARACTERISTICS:

1. Narrow band Response: (span 200MHz)

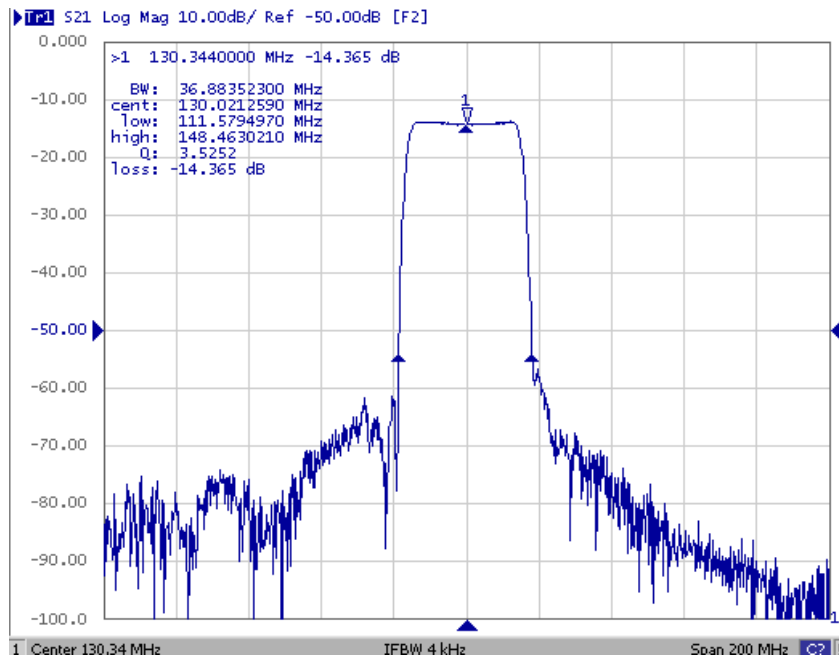


Fig. 1. Horizontal: 20MHz / Div, Vertical: 10dB / Div

2. Pass band Response and Group Time Delay Response:

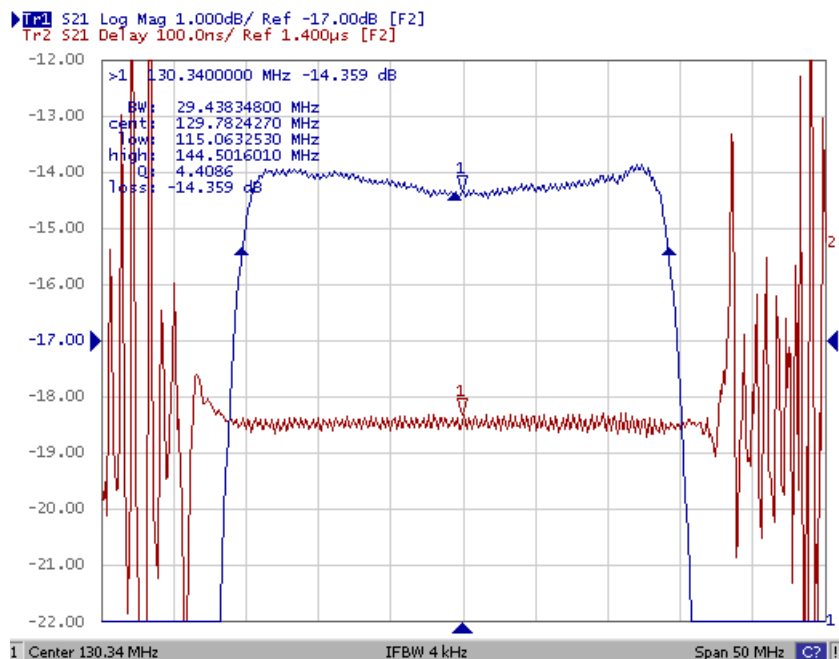


Fig. 2. Horizontal: 4MHz / Div, Vertical: 1dB / Div, Vertical: 100ns / Div

SAW Filter 130.340MHz
Part No: MP05743

Model: TB1114A
Rev. No: 1

3. Smith Chart

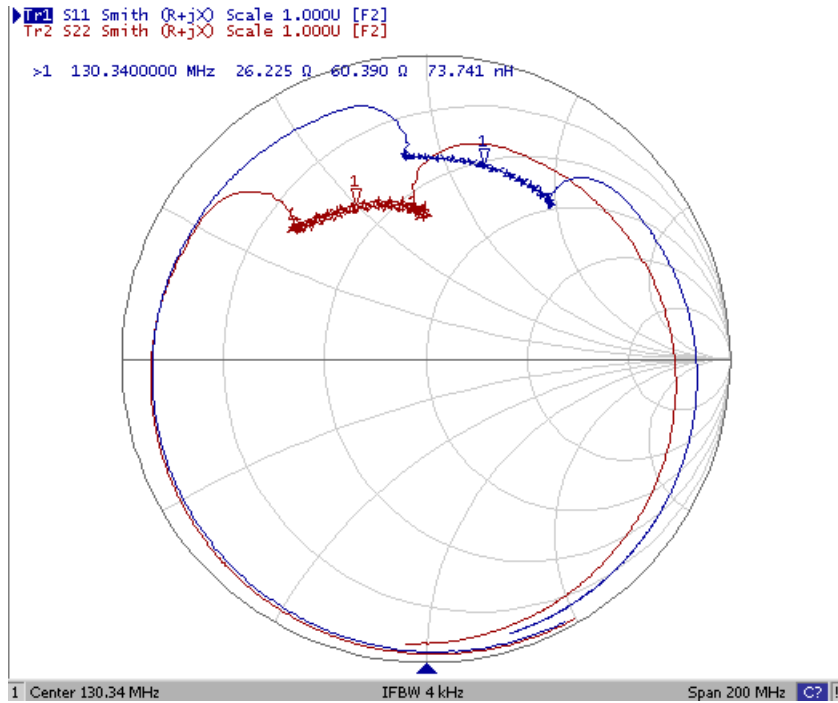


Fig. 1. Horizontal: 20MHz / Div, Vertical: 10dB / Div

4. Wide band Response:

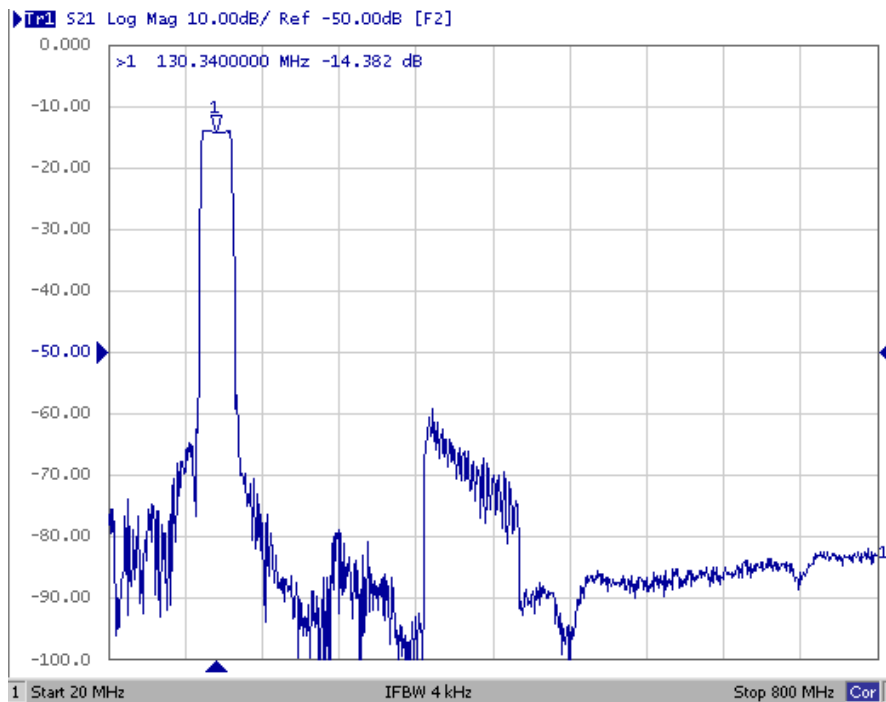
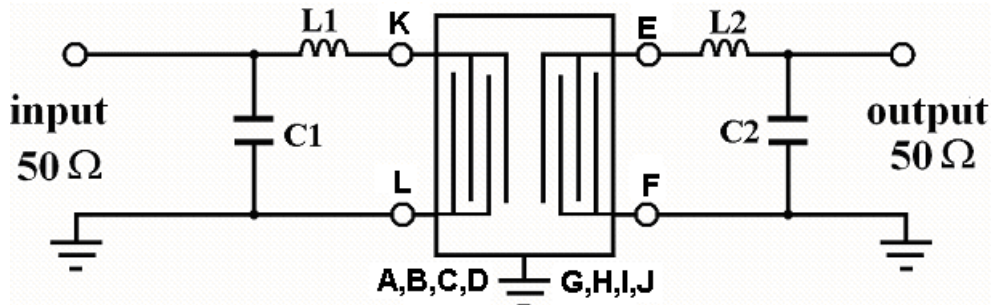


Fig. 2. Horizontal: 4MHz / Div, Vertical: 1dB / Div, Vertical: 100ns / Div

SAW Filter 130.340MHz
Part No: MP05743

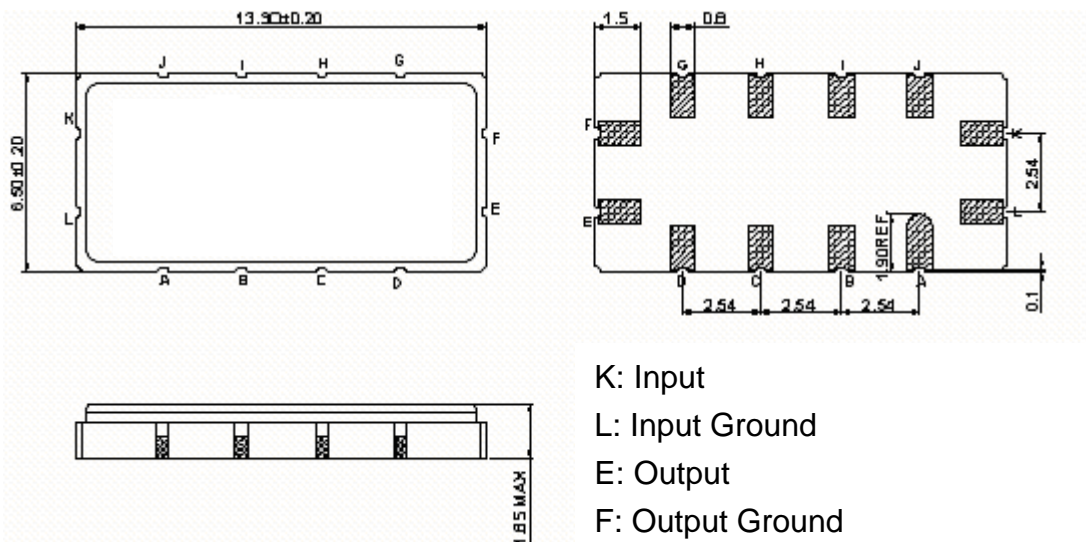
Model: TB1114A
Rev. No: 1

D. MATCHING CIRCUIT:



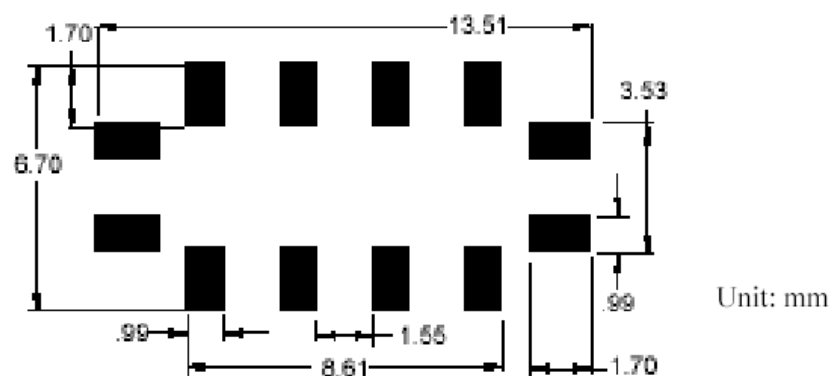
L1 = 68nH C1 = 15pF L2 = 56nH C2 = 20pF

E. OUTLINE DRAWING:



K: Input
 L: Input Ground
 E: Output
 F: Output Ground
 A, B, C, D, G, H, I, J: Ground
 Unit: mm

F. PCB FOOTPRINT:



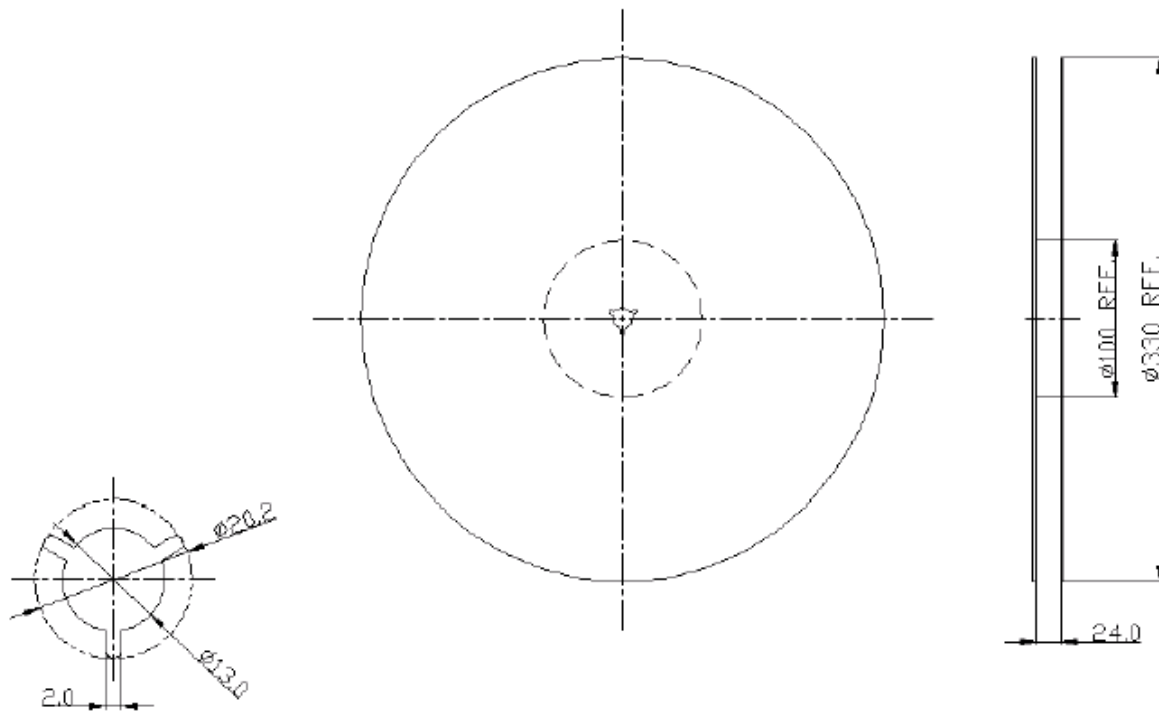
Unit: mm

SAW Filter 130.340MHz
Part No: MP05743

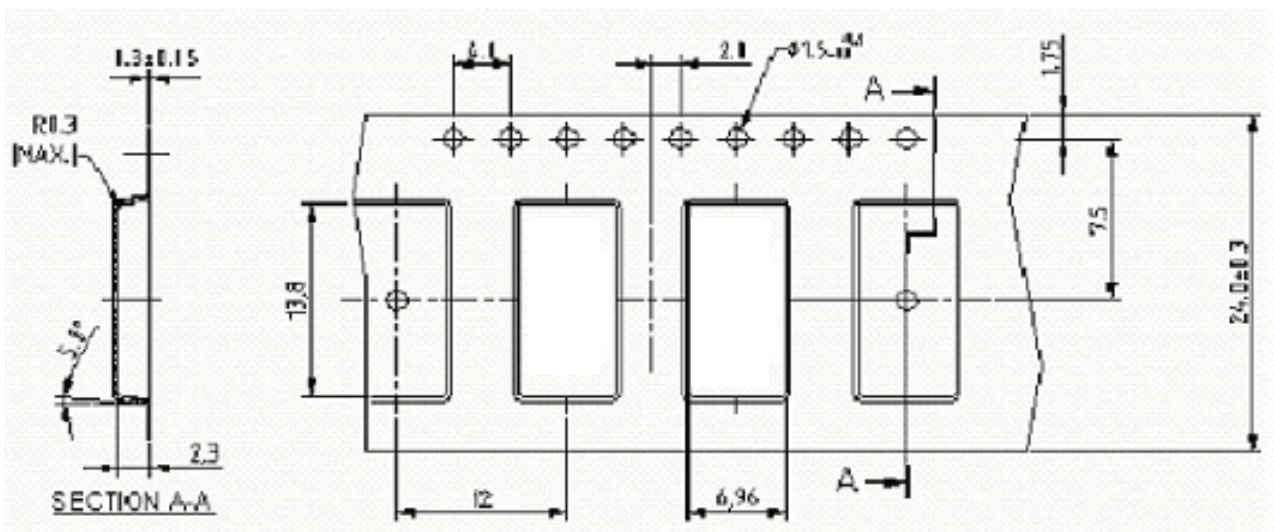
Model: TB1114A
Rev. No: 1

G. PACKING: (Please refer to FR-75D10 for packing quantity)

1. Reel Dimension



2. Tape Dimension



SAW Filter 130.340MHz
Part No: MP05743

Model: TB1114A
Rev. No: 1

H. RECOMMENDED REFLOW PROFILE:

