

**SAW Filter 153.520MHz**  
**Part No: MP05747**

**Model: TB0992A**  
**Rev. No: 1**

**A. MAXIMUM RATING:**

Electrostatic Sensitive Device

1. Operating temperature range: -55°C to 125°C
2. Storage temperature range: -55°C to 125°C
3. Input Power Level: 10 dBm
4. Maximum DC Voltage: 10V

**B. CHARACTERISTICS:**

Ambient Temperature: 25°C

Item	Unit	Min.	Typ.	Max.
Center frequency Fc	MHz	-	153.52	-
Insertion Loss IL	dB	-	10	12
1dB Band Width	MHz	20	22	
40dB Band Width	MHz		27.8	29
Amplitude Ripple Fc ± 9.0MHz	dB	-	0.5	1.0
Group Delay Ripple Fc ± 9.0MHz	ns	-	55	200
Absolute Group Delay at Fc	us	-	0.75	1.60
Attenuation (Reference level from minimum Insertion loss)				
Fc -15MHz	dB	40	43	-
Fc +15MHz	dB	35	43	-
Fc +24MHz	dB	43	45	-
Temperature Coefficient	ppm/°C	-	-94	-
Source Impedance	Ohm	-	200	-
Load Impedance	Ohm	-	200	-

**SAW Filter 153.520MHz**  
**Part No: MP05747**

**Model: TB0992A**  
**Rev. No: 1**

**C. FREQUENCY CHARACTERISTICS:**

1. Wide band Response: (span 200MHz)

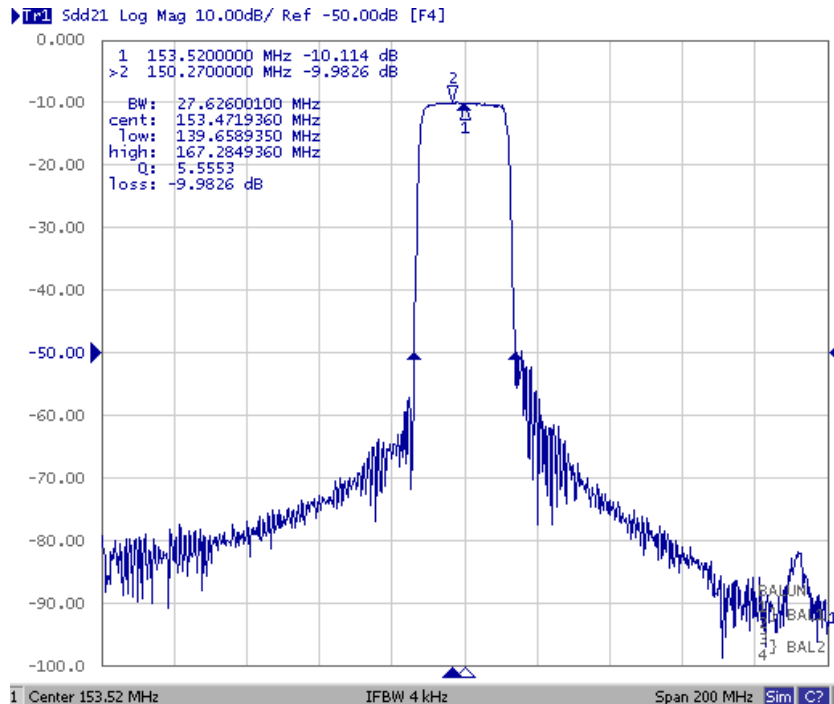


Fig. 1. Horizontal: 20MHz / Div, Vertical: 10Db / Div

2. Pass band Response and Group Time Delay response:

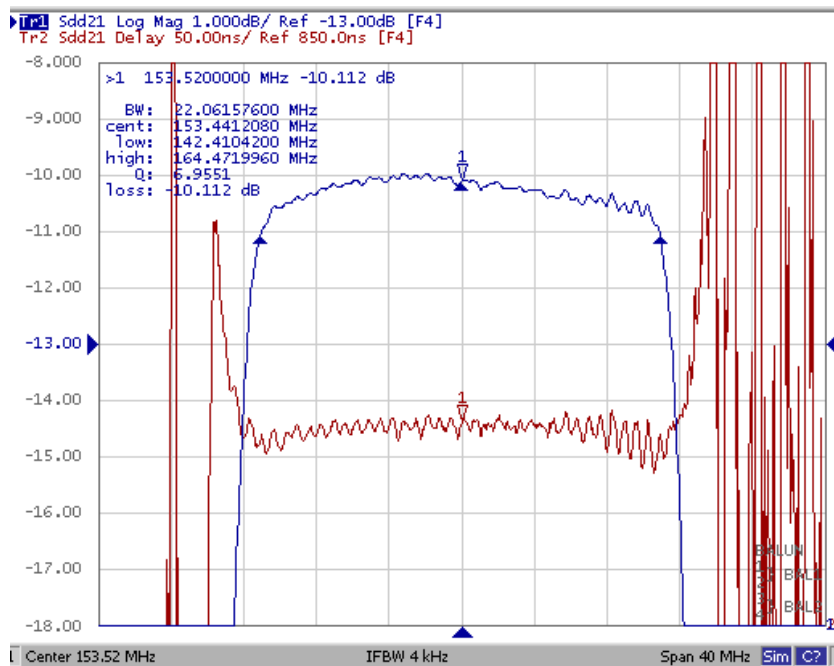
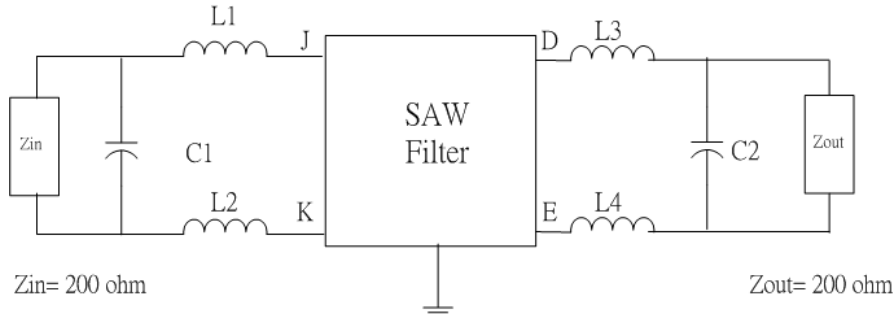


Fig. 2. Horizontal: 4MHz / Div, Vertical: 1dB / Div, Vertical: 50ns / Div

**SAW Filter 153.520MHz**  
**Part No: MP05747**

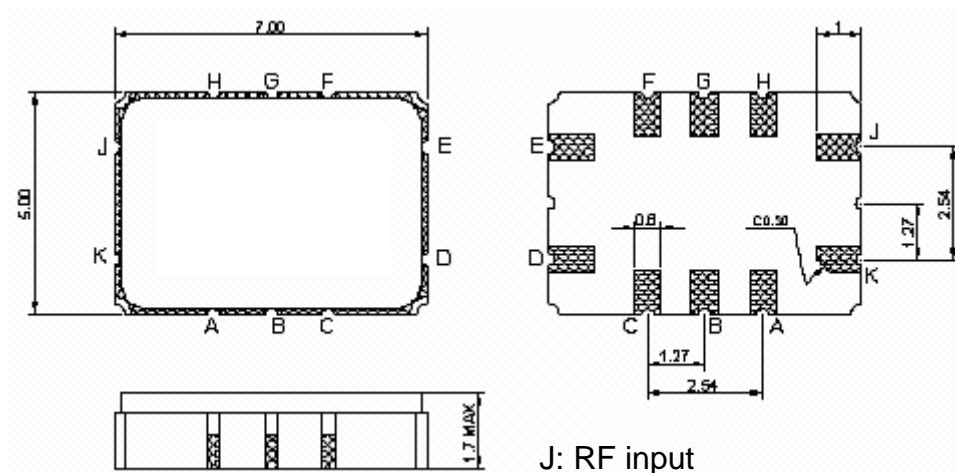
**Model: TB0992A**  
**Rev. No: 1**

**D. MATCHING CIRCUIT:**



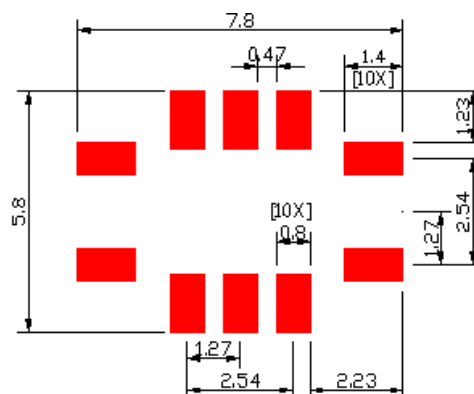
$L1 = L2 = 24\text{nH}$   $L3 = L4 = 27\text{nH}$   $C1 = 22\text{pF}$   $C2 = 24\text{pF}$

**E. OUTLINE DRAWING:**



- J: RF input
- K: RF balance input or to be ground
- D: RF output
- E: RF balance output or to be ground
- A, B, C, F, G, H: Ground
- Unit: mm

**F. PCB FOOTPRINT:**

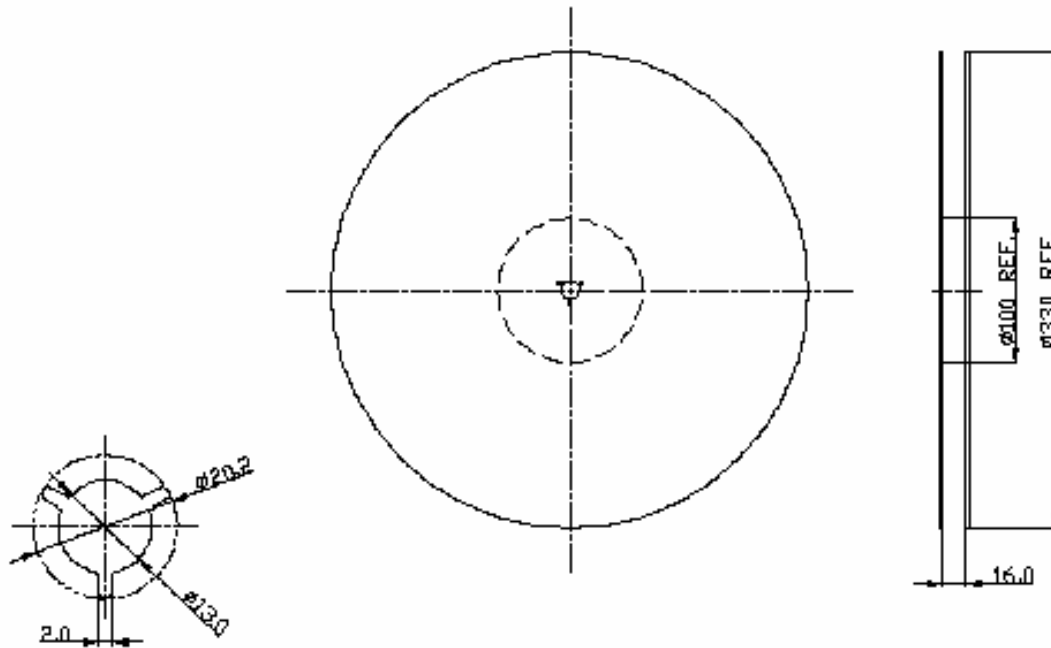


**SAW Filter 153.520MHz**  
**Part No: MP05747**

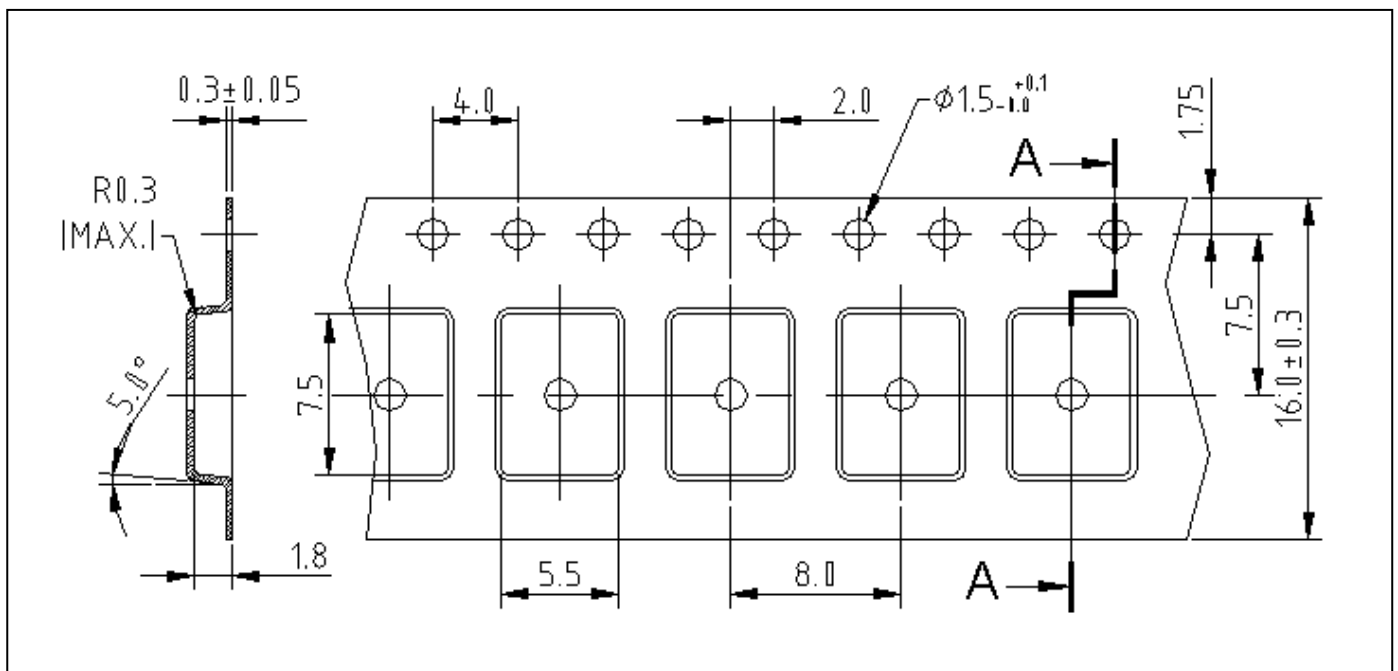
**Model: TB0992A**  
**Rev. No: 1**

**G. PACKING:**

1. Reel Dimension



2. Tape Dimension



**SAW Filter 153.520MHz**  
**Part No: MP05747**

**Model: TB0992A**  
**Rev. No: 1**

**H. RECOMMENDED REFLOW PROFILE:**

