

**SAW Filter 154.10MHz**  
**Part No: MP05754**

**Model: TB0608A**  
**Rev. No: 2**

**A. MAXIMUM RATING:**

1. Operating Temperature: -40°C to +85°C
2. Storage Temperature: -40°C to +85°C
3. Maximum Input Power: 15dBm

**B. ELECTRICAL CHARACTERISTICS:**

Ambient Temperature: 25°C

Item	Unit	Min.	Typ.	Max.
Center frequency Fc	MHz	-	154.1	-
Insertion Loss IL	dB	-	17	18
1dB bandwidth	MHz	17.5	18.2	-
3dB bandwidth	MHz	-	19.0	20.0
20dB bandwidth	MHz	-	21.3	30
40dB bandwidth	MHz	-	22.0	32
Pass band Ripple (p-p) Within Fc+-8.5MHz	dB	-	1.0	1.2
Group Delay Variation (p-p) Within Fc+-8.5MHz	ns	-	35	60
Relative Attenuation				
10MHz to 130MHz		40	55	-
190MHz to 425MHz	dB	35	44	-
425MHz to 500MHz		25	33	-
500MHz to 900MHz		20	27	-

**SAW Filter 154.10MHz**  
**Part No: MP05754**

**Model: TB0608A**  
**Rev. No: 2**

**C. FREQUENCY CHARACTERISTICS:**

1. S21 Response

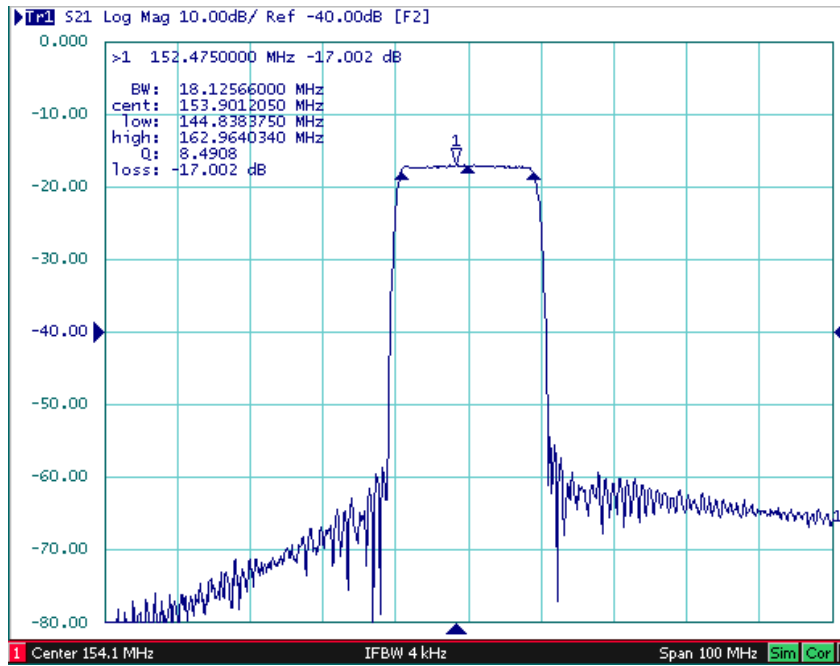


Fig. 1. Horizontal: 10MHz/Div, Vertical: 10Db / Div

2. Passband Ripple

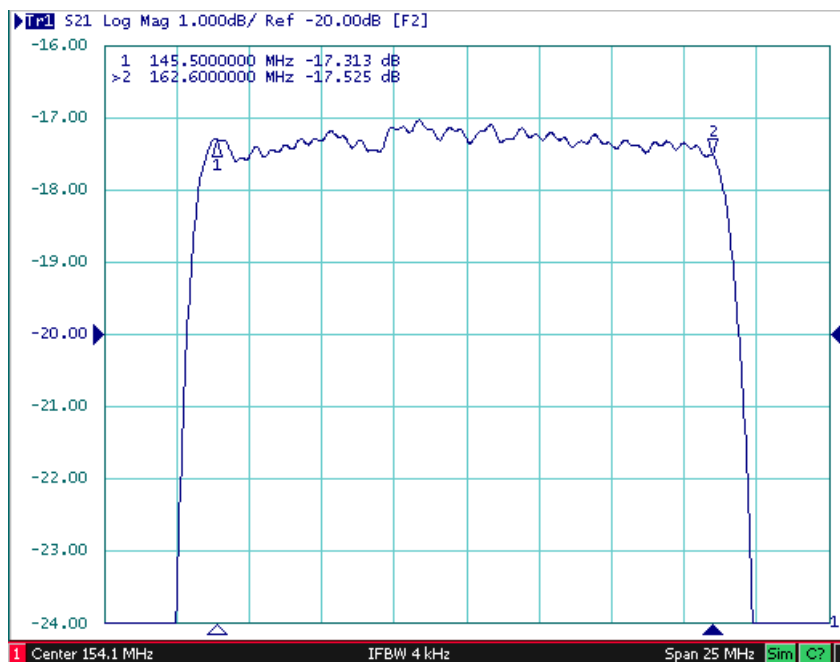


Fig. 2. Horizontal: 2.5MHz / Div, Vertical: 1dB / Div

**SAW Filter 154.10MHz**  
**Part No: MP05754**

**Model: TB0608A**  
**Rev. No: 2**

### 3. Group Delay Ripple

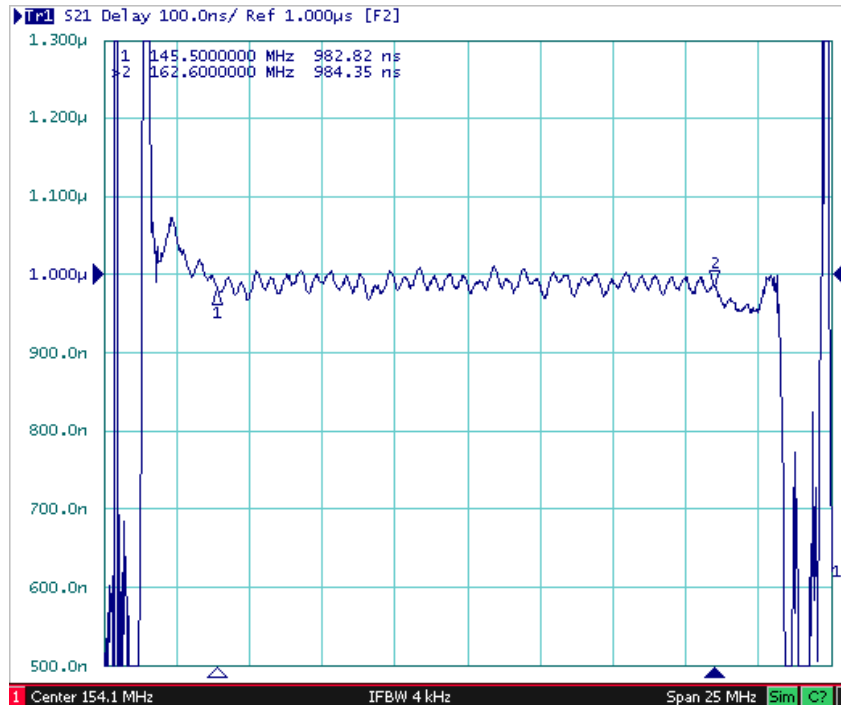


Fig. 3. Horizontal: 2.5MHz / Div, Vertical: 200nS / Div

### 4. Group Delay Ripple

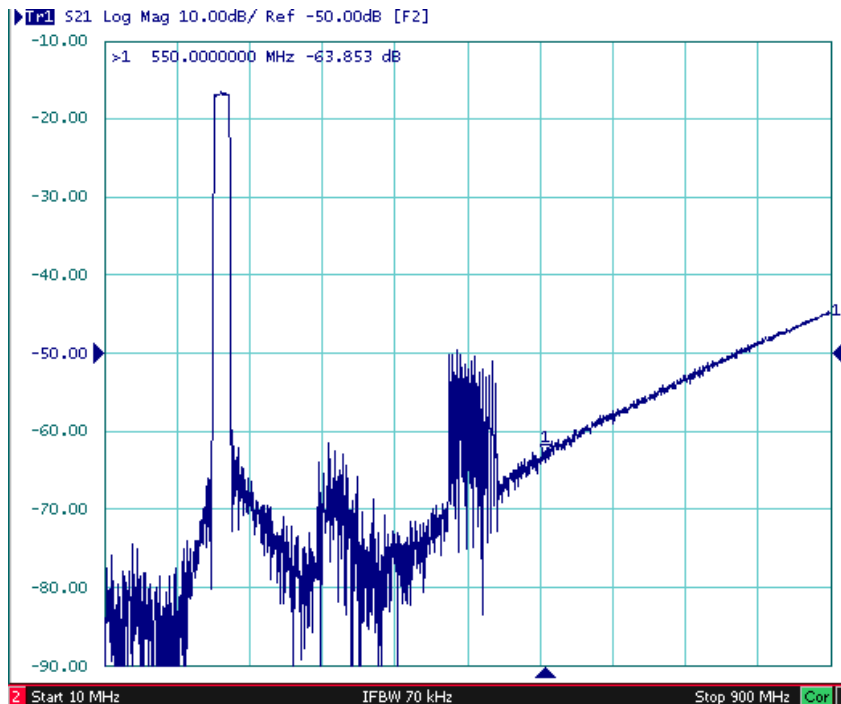


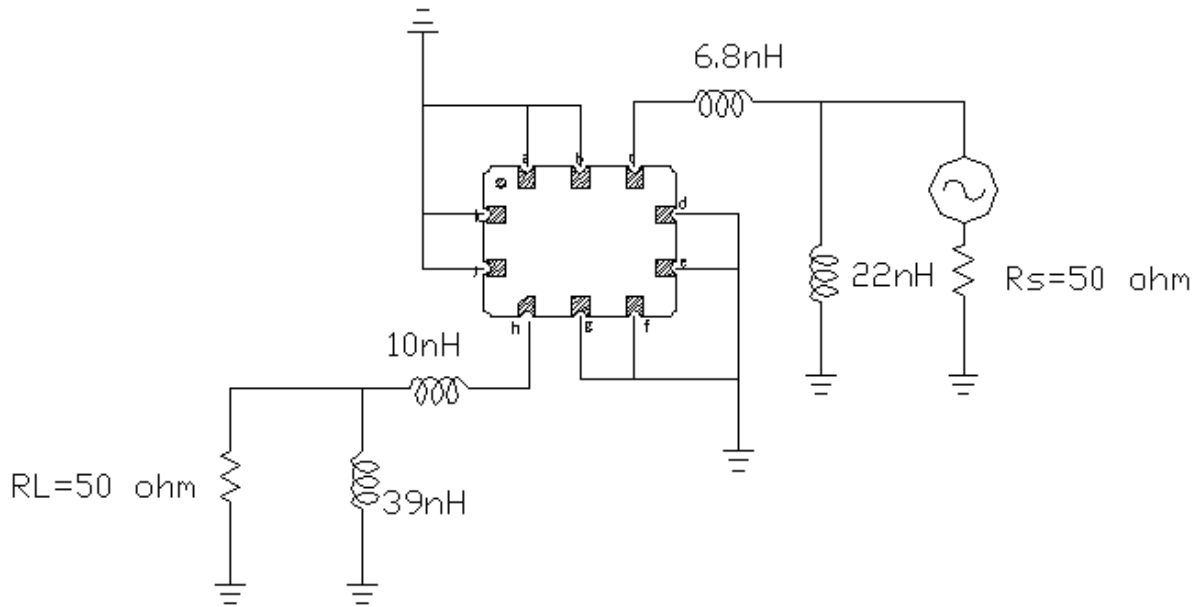
Fig. 4. Horizontal: 10 ~ 900MHz Vertical: 10dB / Div

**SAW Filter 154.10MHz**  
**Part No: MP05754**

**Model: TB0608A**  
**Rev. No: 2**

**D. MEASUREMENT CIRCUIT:**

1. Single ended input 50 ohm to Single ended Output 50Ω

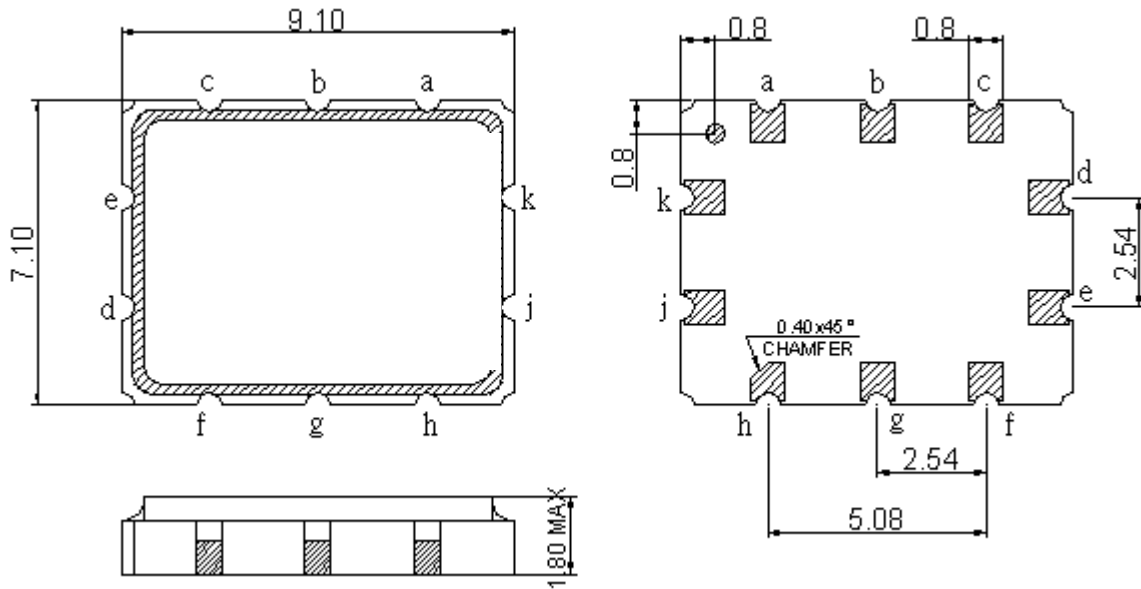


Note: The matching structure will change according to different test fixture.

**SAW Filter 154.10MHz**  
**Part No: MP05754**

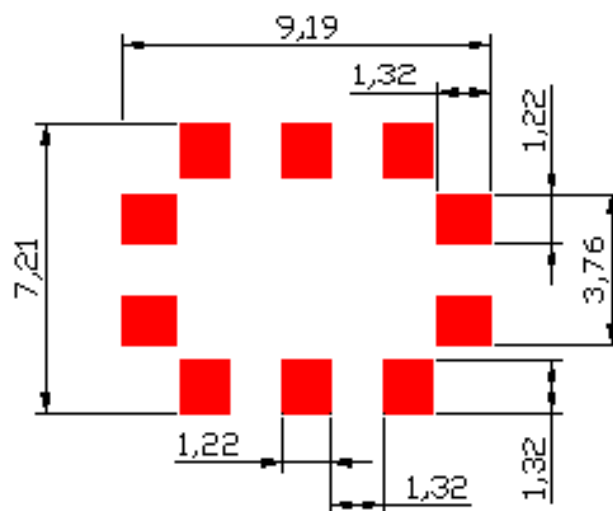
**Model: TB0608A**  
**Rev. No: 2**

**E. OUTLINE DRAWING:**



C: RF Input  
 H: RF Output  
 Pin A, B, D, E, F, G, J, K: Ground  
 Unit: mm

**F. PCB FOOTPRINT**

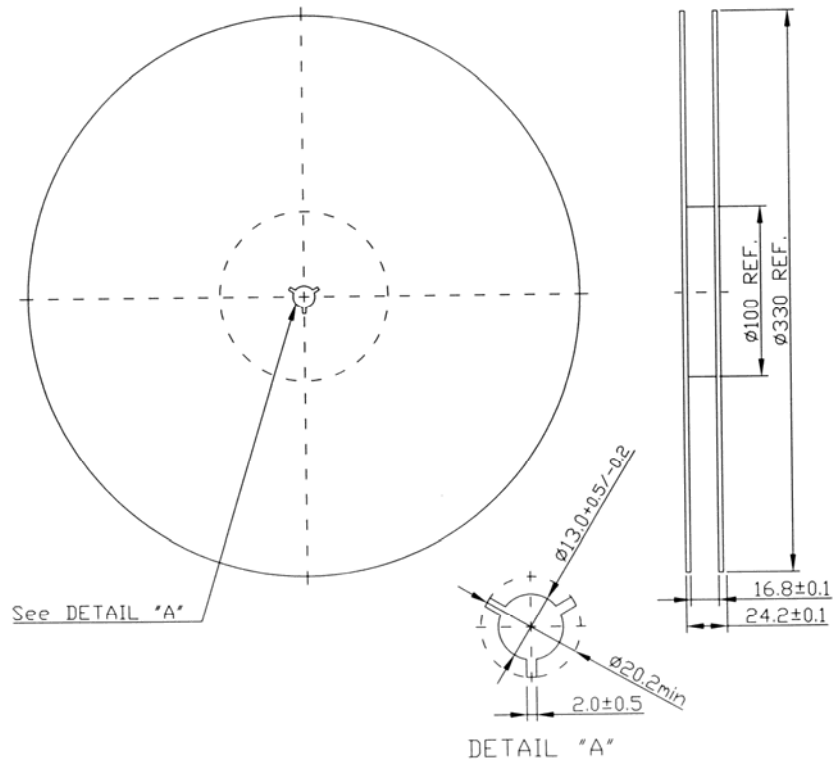


**SAW Filter 154.10MHz**  
**Part No: MP05754**

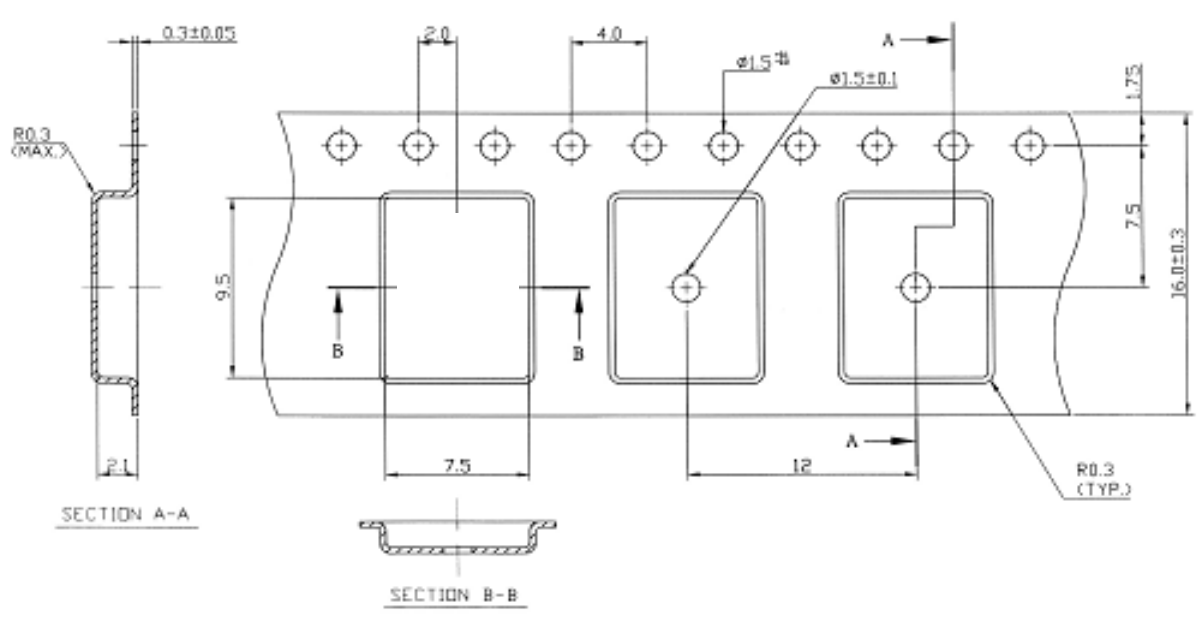
**Model: TB0608A**  
**Rev. No: 2**

### G. PACKING:

#### 1. Reel Dimension



#### 2. Tape Dimension



**SAW Filter 154.10MHz**  
**Part No: MP05754**

**Model: TB0608A**  
**Rev. No: 2**

**H. RECOMMENDED REFLOW PROFILE:**

