

**SAW Filter 751.50MHz**  
**Part No: MP05841**

**Model: TB0903A**  
**Rev No: 1**

**A. MAXIMUM RATING:**

1. Operating temperature range: -30°C to 85°C
2. Storage temperature range: -40°C to 85°C
3. Input Power Level: 10dBm
4. Maximum DC Voltage: 10V

**B. CHARACTERISTICS:**

| Item                                       | Unit   | Min. | Typ.  | Max. |
|--|--------|------|-------|------|
| Center frequency Fc                        | MHz    | -    | 751.5 | -    |
| Insertion Loss IL                          | dB     | -    | 12.3  | 15.0 |
| -1dB bandwidth                             | MHz    | 65   | 73    | -    |
| Passband Ripple Fc ± 32MHz                 | dB     | -    | 0.6   | 1.0  |
| Attenuation: (Reference level from Min IL) |        |      |       |      |
| 10MHz ~ 600MHz                             | dB     | 40   | 50    |      |
| 600MHz ~ 680MHz                            | dB     | 40   | 50    |      |
| 820MHz ~ 895MHz                            | dB     | 40   | 48    |      |
| 895MHz ~ 1000MHz                           | dB     | 40   | 49    |      |
| Temperature Coefficient                    | ppm/°C | -    | -94   | -    |
| Source Impedance                           | Ohm    | -    | 50    | -    |
| Load Impedance                             | Ohm    | -    | 50    | -    |

**SAW Filter 751.50MHz**  
**Part No: MP05841**

**Model: TB0903A**  
**Rev No: 1**

**C. FREQUENCY CHARACTERISTICS:**

1. Wide band Response (span 400MHz)

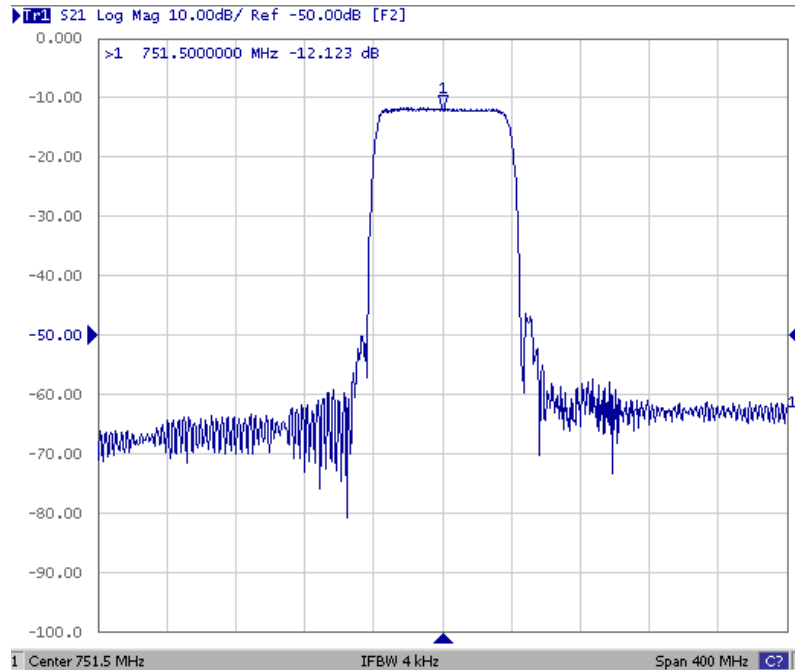


Fig. 1. Horizontal: 40MHz / Div, Vertical: 10dB / Div

2. Pass band Response and Group Time Delay response

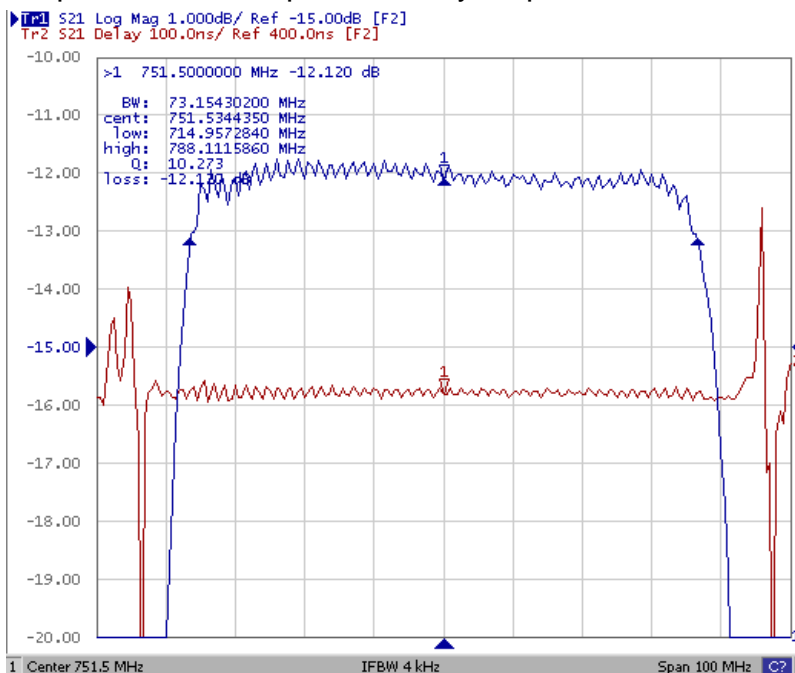


Fig. 2. Horizontal: 10MHz / Div, Vertical: 1dB / Div, Vertical: 100ns / Div

**SAW Filter 751.50MHz**  
**Part No: MP05841**

**Model: TB0903A**  
**Rev No: 1**

3. Wide band Response

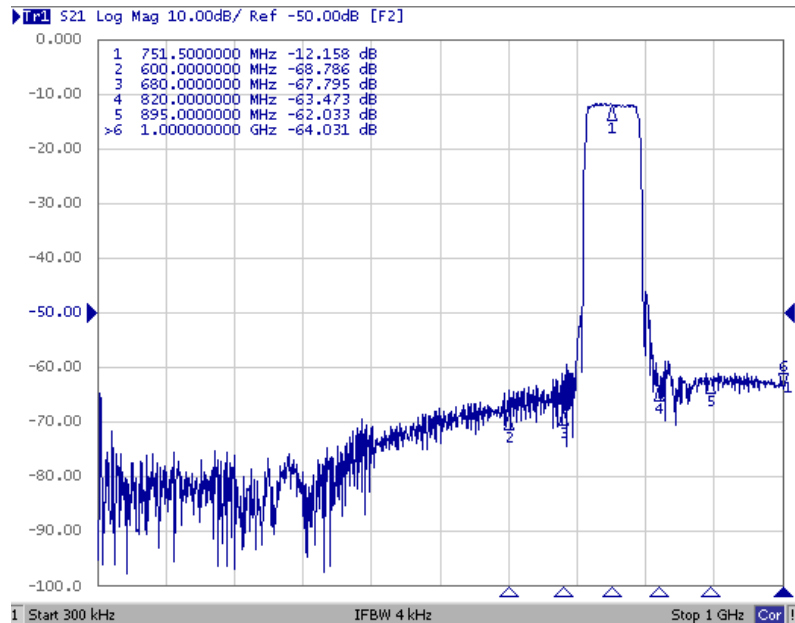
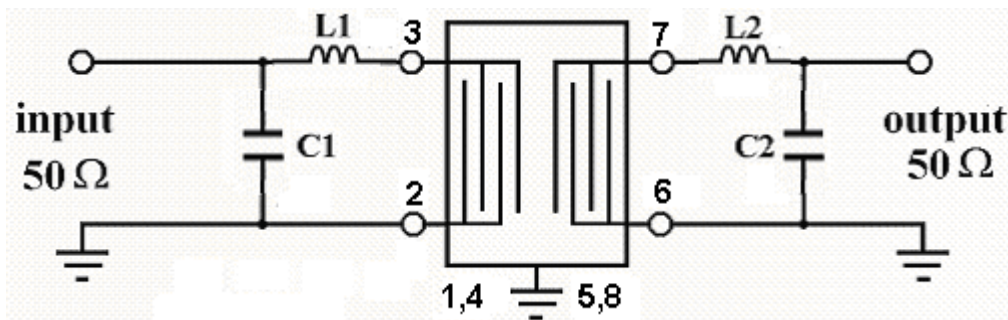


Fig. 3. Horizontal: 100MHz / Div, Vertical: 10dB / Div

**D. MATCHING CIRCUIT:**

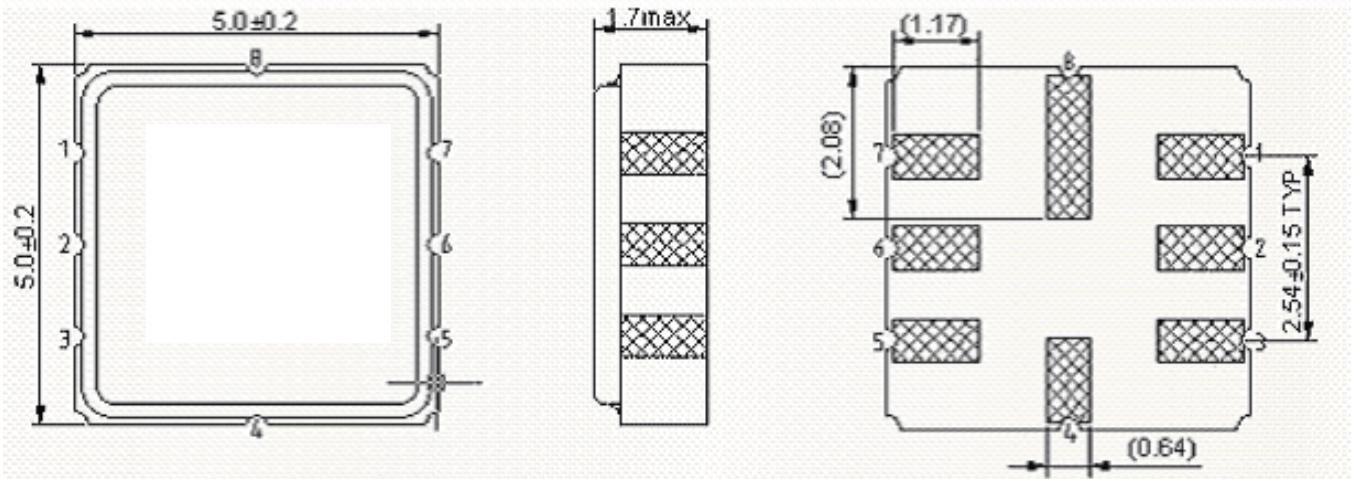


L1 = 3nH, C1 = 4.7pF, L2 = 5.6nH, C2 = 3.3pF

**SAW Filter 751.50MHz**  
**Part No: MP05841**

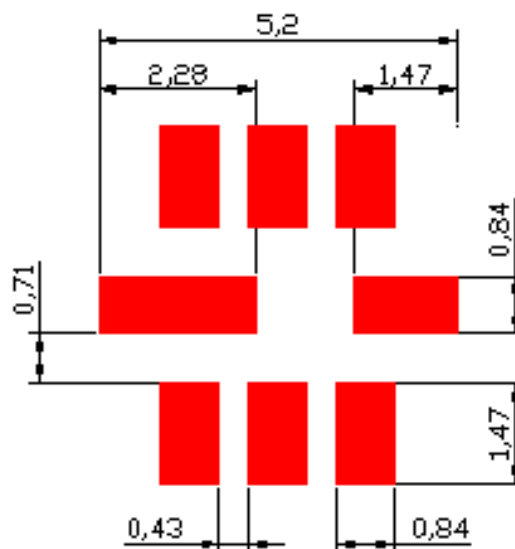
**Model: TB0903A**  
**Rev No: 1**

**E. OUTLINE DRAWING:**



- 3: Input
  - 2: Input ground
  - 7: Output
  - 6: Output ground
  - 1, 4, 5, 8: Ground
- Unit: mm

**F. PCB FOOTPRINT:**

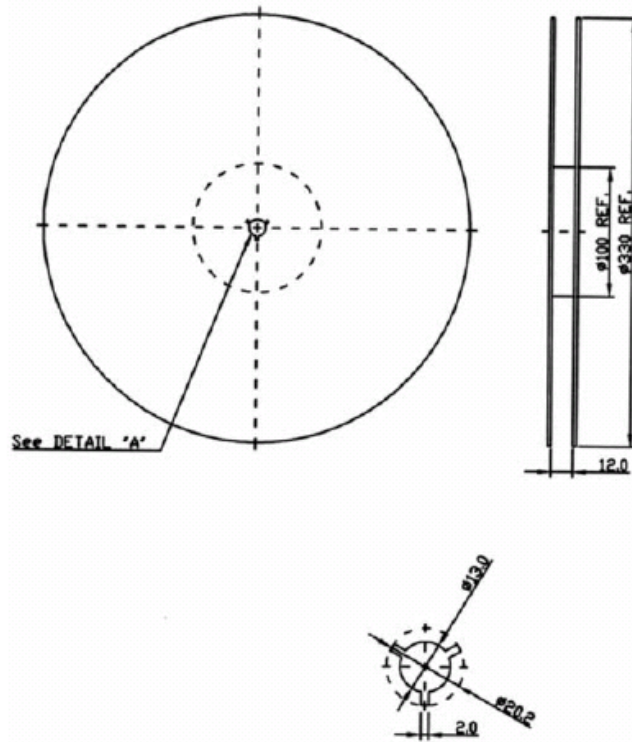


**SAW Filter 751.50MHz**  
**Part No: MP05841**

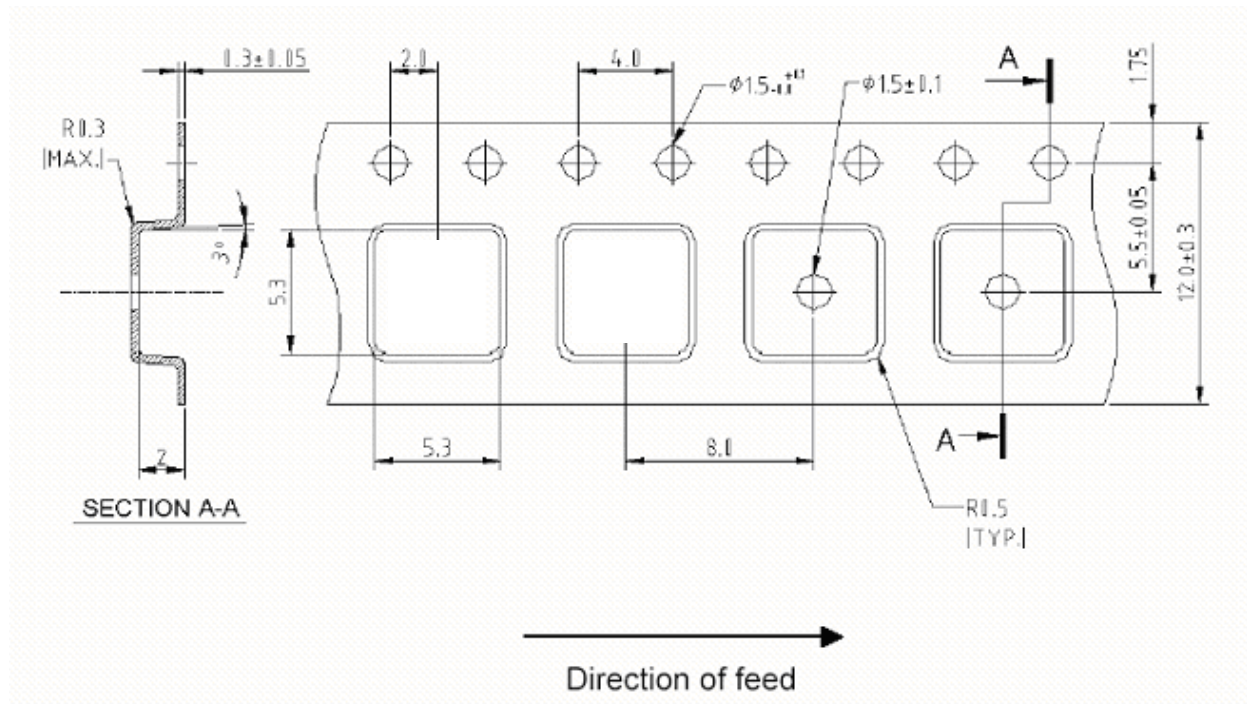
**Model: TB0903A**  
**Rev No: 1**

**G. PACKING:**

1. Reel dimension



2. Tape Dimension



**SAW Filter 751.50MHz**  
**Part No: MP05841**

**Model: TB0903A**  
**Rev No: 1**

**H. RECOMMENDED REFLOW PROFILE:**

