

SAW Filter 193.70MHz
Part No: MP05865

Model: TB0609A
Rev No: 3

A. MAXIMUM RATING:

1. Operating Temperature: -40°C to +85°C
2. Storage Temperature: -40°C to +85°C
3. Maximum Input Power: 15dBm

B. ELECTRICAL CHARACTERISTICS:

Ambient Temperature: 25°C

Item	Unit	Min.	Typ.	Max.
Center frequency Fc	MHz	-	193.7	-
Insertion Loss IL	dB	-	17.4	18.0
1dB bandwidth	MHz	17.5	18.0	-
3dB bandwidth	MHz	-	19.0	20
20dB bandwidth	MHz	-	21.3	30
40dB bandwidth	MHz	-	22.2	32
Pass band Ripple (p-p) Within Fc ± 8.5MHz	dB	-	0.7	1.2
Group Delay Variation (p-p) Within Fc± 8.5MHz	ns	-	20	60
Absolute Group Delay at Fc	usec	-	1.02	-
Absolute Group Delay (mean) Within Fc ± 8.5MHz	usec	-	1.015	-
Relative Attenuation				
10 MHz to 170 MHz		40	47	-
230 MHz to 550 MHz	dB	35	40	-
550 MHz to 600 MHz		25	30	-
600MHz to 900MHz		20	23	-

SAW Filter 193.70MHz
Part No: MP05865

Model: TB0609A
Rev No: 3

C. FREQUENCY CHARACTERISTICS:

1. S21 Response

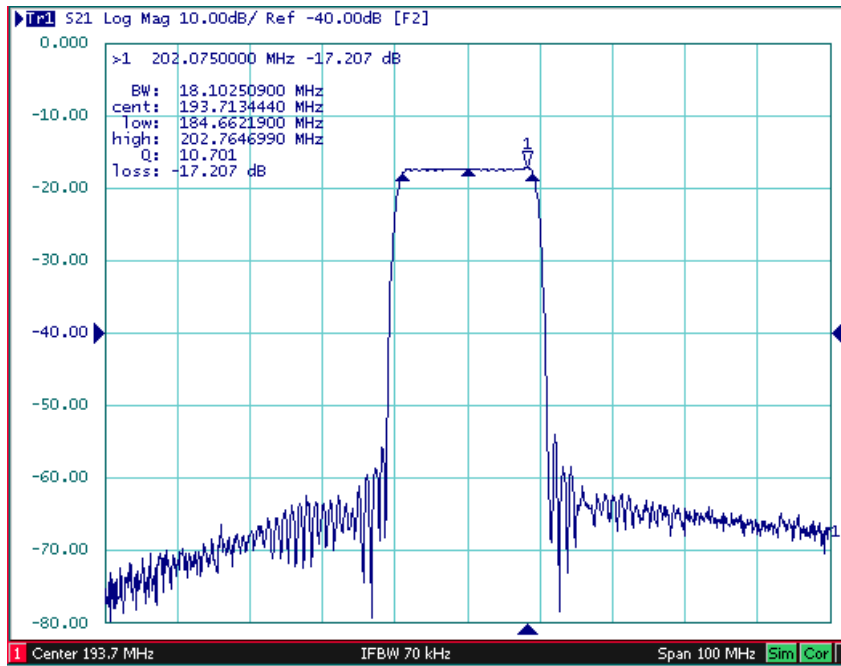


Fig. 1. Horizontal: 10MHz / Div, Vertical: 10Db / Div

2. Passband Ripple

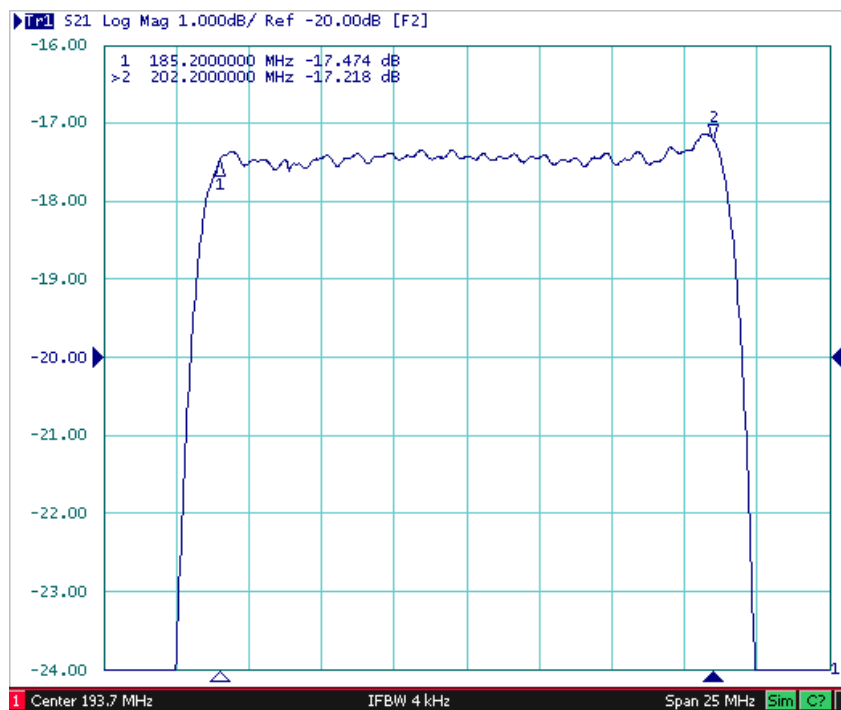


Fig. 2. Horizontal: 2.5MHz / Div, Vertical: 1dB / Div

SAW Filter 193.70MHz
Part No: MP05865

Model: TB0609A
Rev No: 3

3. Group Delay Ripple

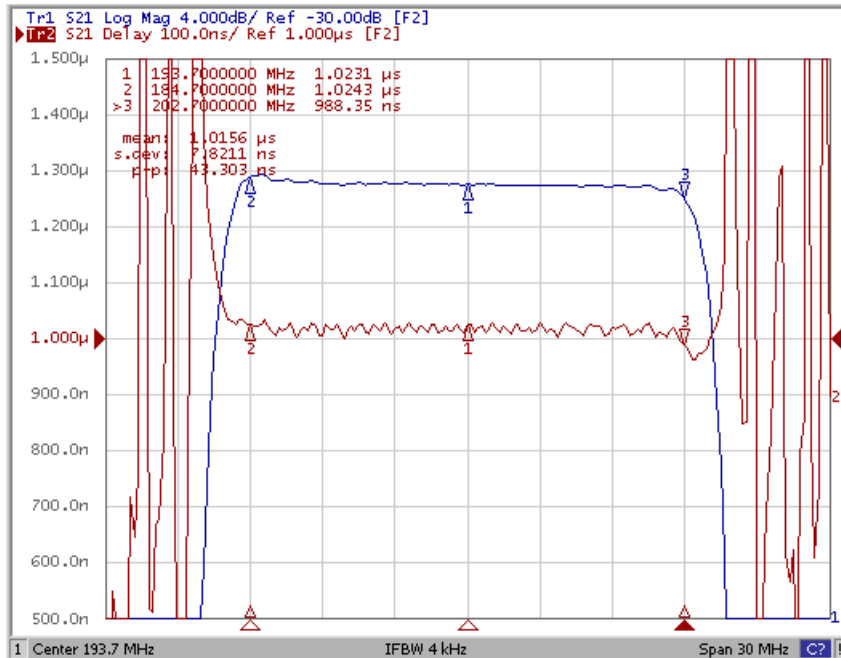


Fig. 3. Horizontal: 3.0MHz / Div, Vertical: 100ns / Div

4. Wide Band Response

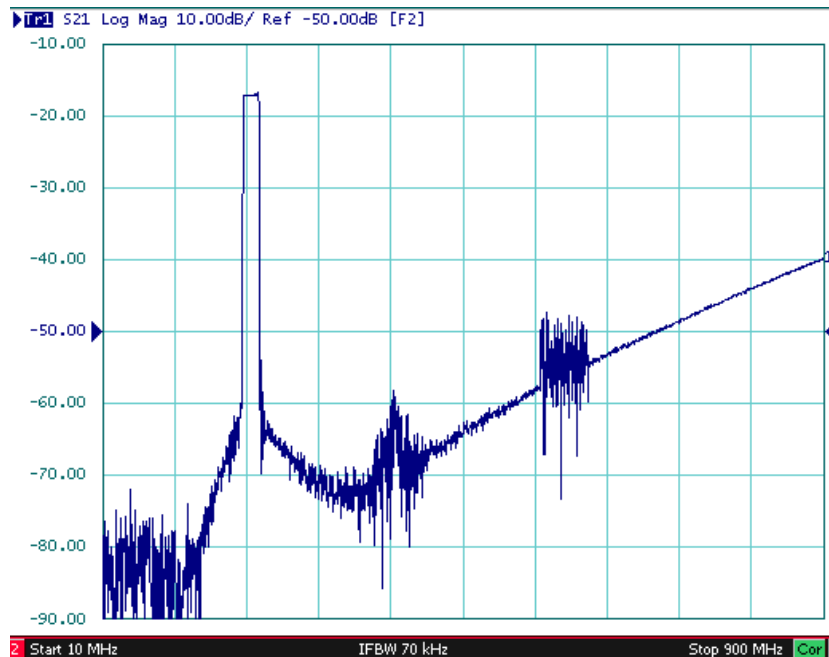


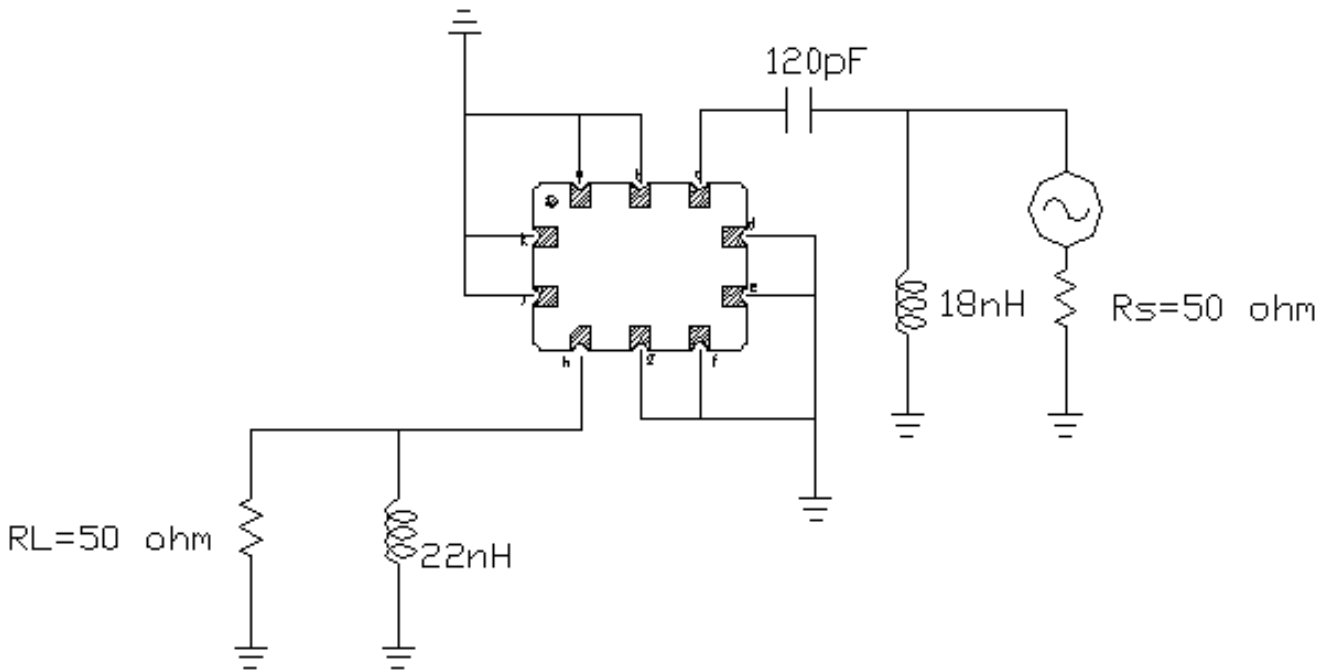
Fig. 4. Horizontal: 10 ~ 900MHz, Vertical: 10dB/Div

SAW Filter 193.70MHz
Part No: MP05865

Model: TB0609A
Rev No: 3

D. MEASUREMENT CIRCUIT:

Single ended input 50 ohm to Single ended Output 50ohm

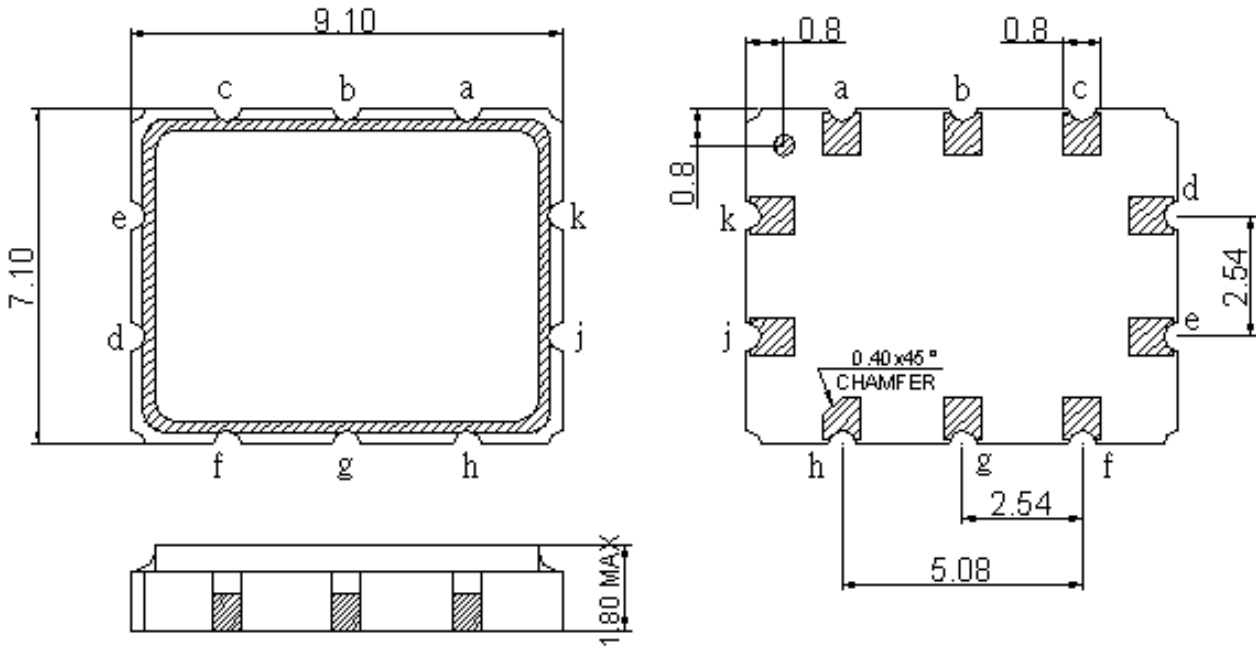


Note: The matching structure will change according to different test fixture.

SAW Filter 193.70MHz
Part No: MP05865

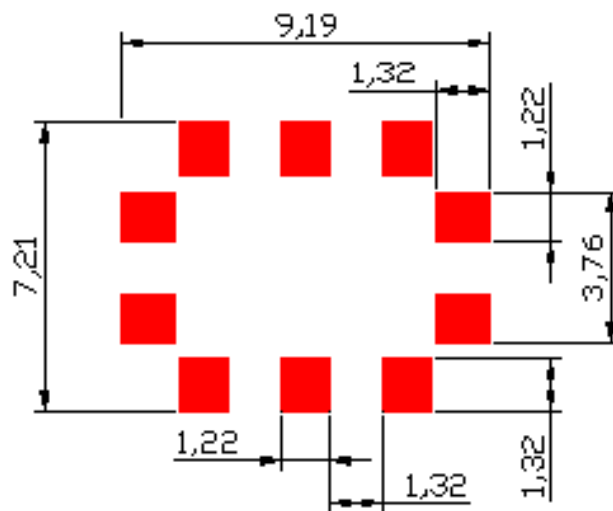
Model: TB0609A
Rev No: 3

E. OUTLINE DRAWING:



C: RF Input
 H: RF Output
 A, B, D, E, F, G, J, K: Ground
 Unit: mm

F. PCB FOOTPRINT:

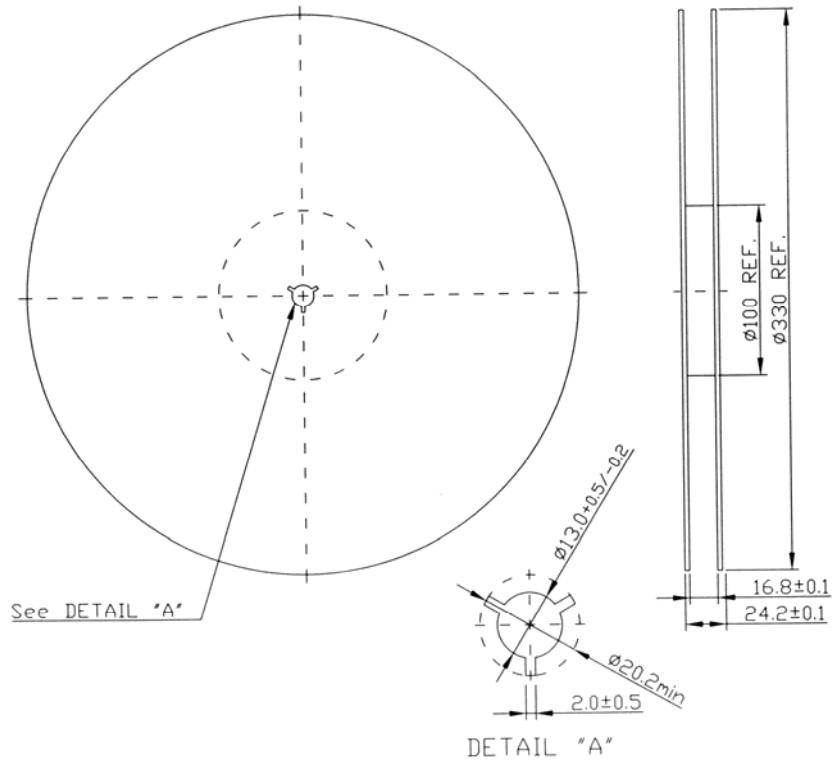


SAW Filter 193.70MHz
Part No: MP05865

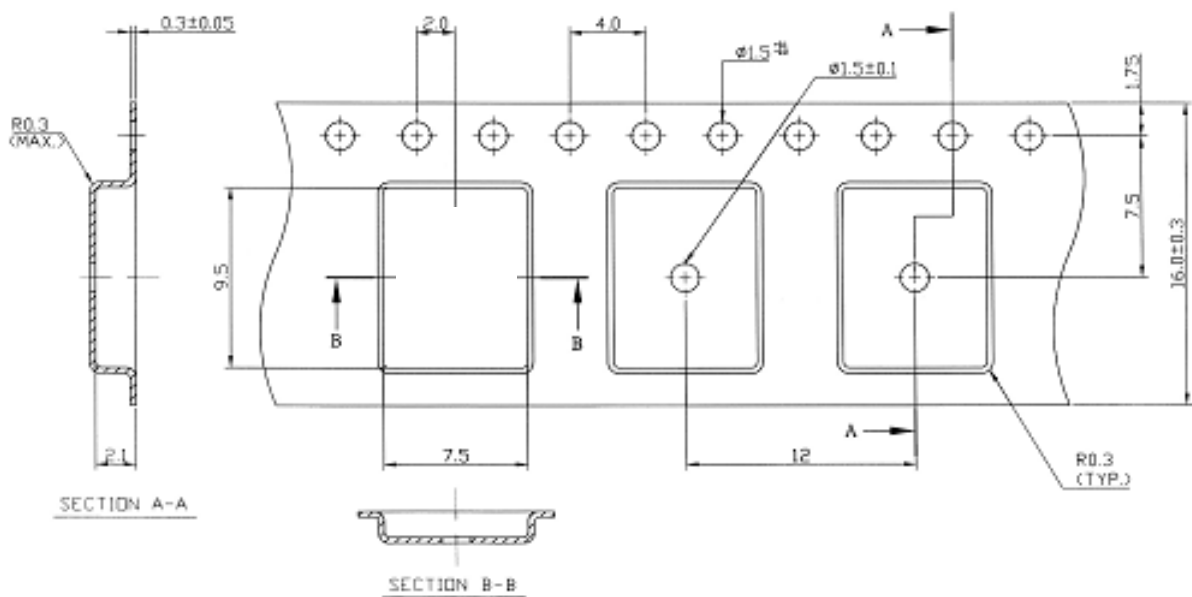
Model: TB0609A
Rev No: 3

G. PACKING:

1. Reel Dimension



2. Tape Dimension



SAW Filter 193.70MHz
Part No: MP05865

Model: TB0609A
Rev No: 3

H. RECOMMENDED REFLOW PROFILE:

