

SAW Filter 2140.0MHz
Part No: MP05868

Model: TA1698A
Rev No: 1

A. MAXIMUM RATING:

Electrostatic Sensitive Device (ESD)

1. Input Power Level: 10dBm
2. DC Voltage: 3V
3. Operating Temperature: -30°C to +85°C
4. Storage Temperature: -40°C to +85°C

B. ELECTRICAL CHARACTERISTICS:

1. Terminating source impedance: $Z_S = 50\Omega$
2. Terminating load impedance: $Z_L = 50\Omega$

Item	Unit	Min.	Typ.	Max.
Center Frequency (Fc)	MHz	-	2140	-
Insertion Loss within 2110.0 ~ 2170.0MHz	dB	-	1.8	2.2
Amplitude Ripple within 2110.0 ~ 2170.0MHz	dBp-p	-	0.6	1.5
VSWR within 2110.0 ~ 2170.0MHz	-	-	1.8	2.0
Amplitude balance within 2110.0 ~ 2170.0MHz	dB	-1.0	-0.7 ~ +0.5	+1.0
Phase balance within 2110.0 ~ 2170.0MHz	deg	-10	-7 ~ +5	+10
Attenuation:				
10.0 ~ 1920.0MHz	dB	40	50	-
810.0 ~ 830.0MHz	dB	50	61	-
898.0 ~ 925.0MHz	dB	50	61	-
824.0 ~ 849.0MHz	dB	50	61	-
1920.0 ~ 1980.0MHz	dB	50	64	-
2200.0 ~ 2500.0MHz	dB	20	30	-
2500.0 ~ 6000.0MHz	dB	35	40	-

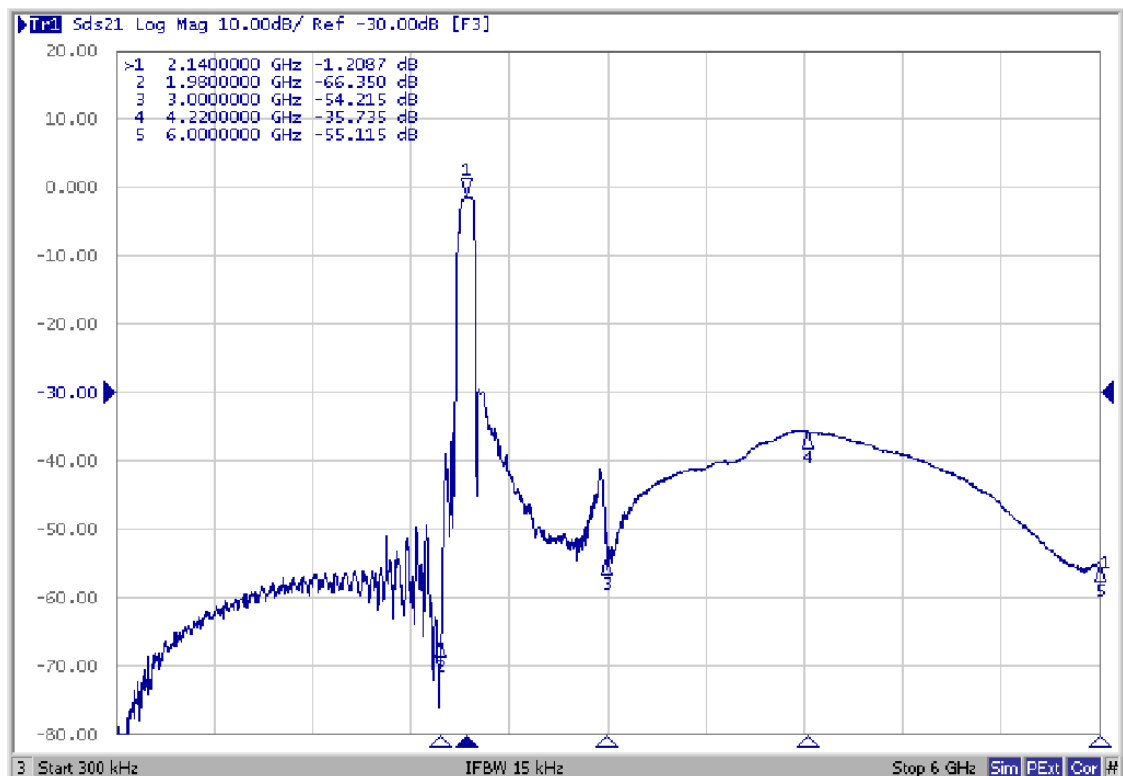
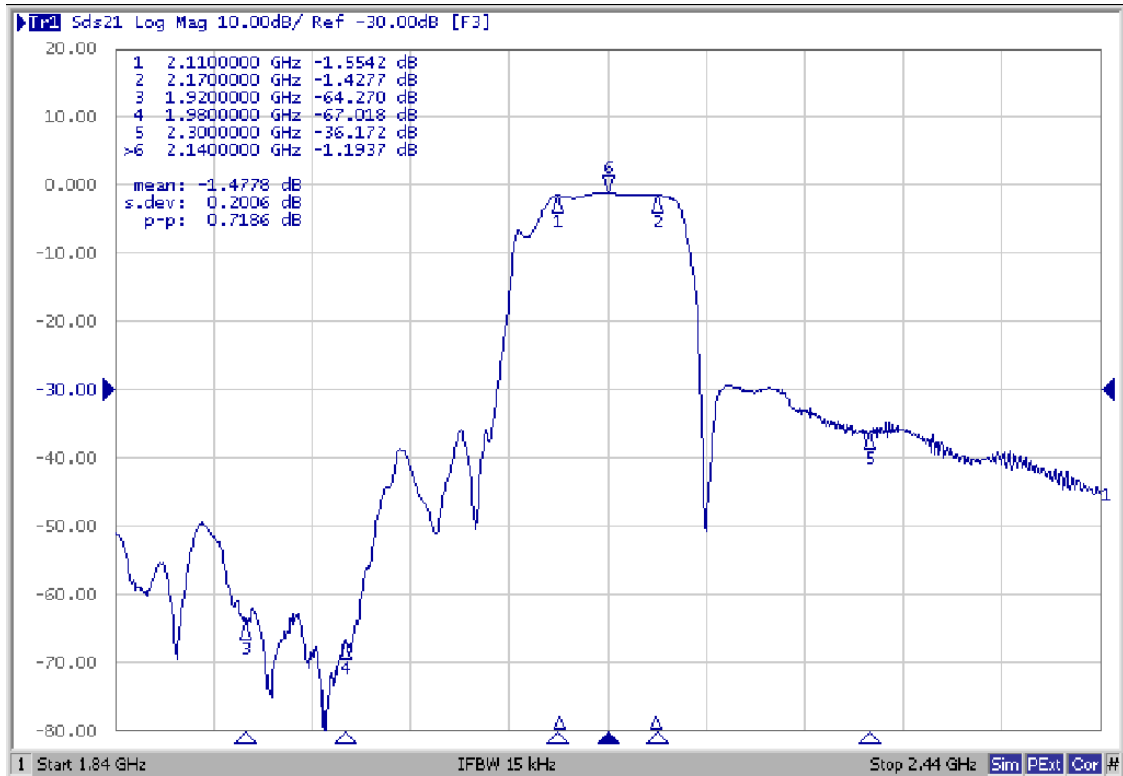
Note: No Matching Network.

SAW Filter 2140.0MHz
Part No: MP05868

Model: TA1698A
Rev No: 1

C. FREQUENCY CHARACTERISTICS:

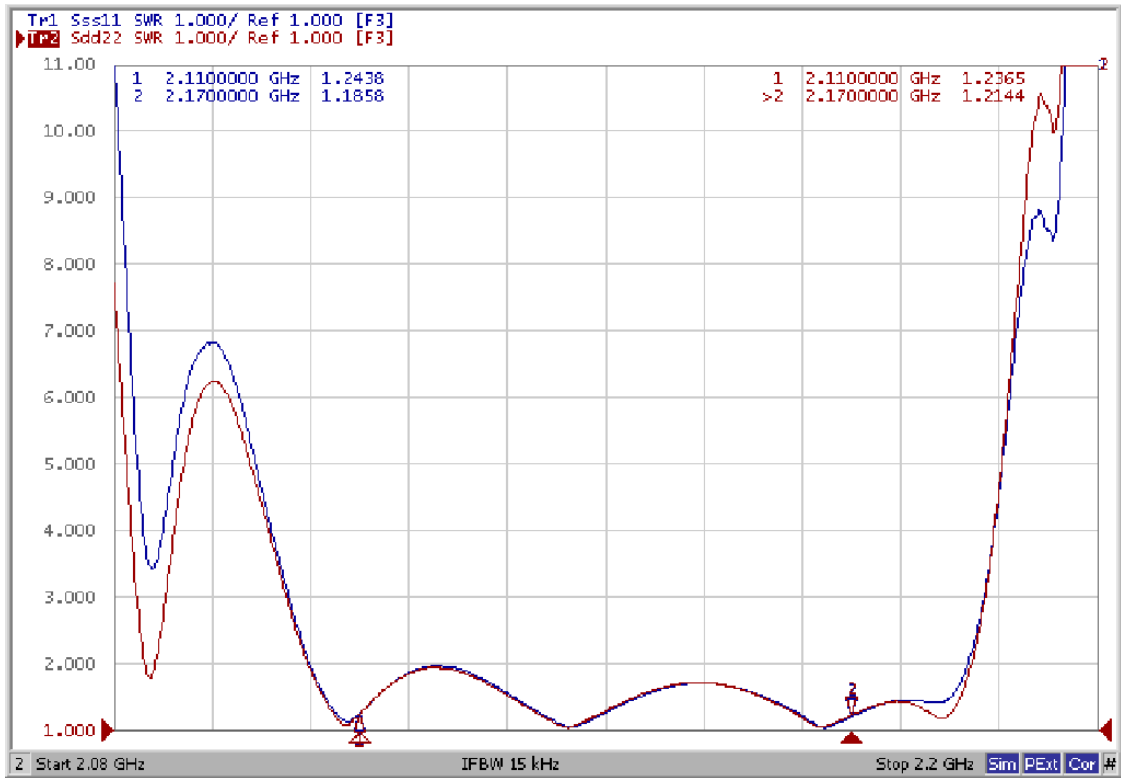
Frequency Response



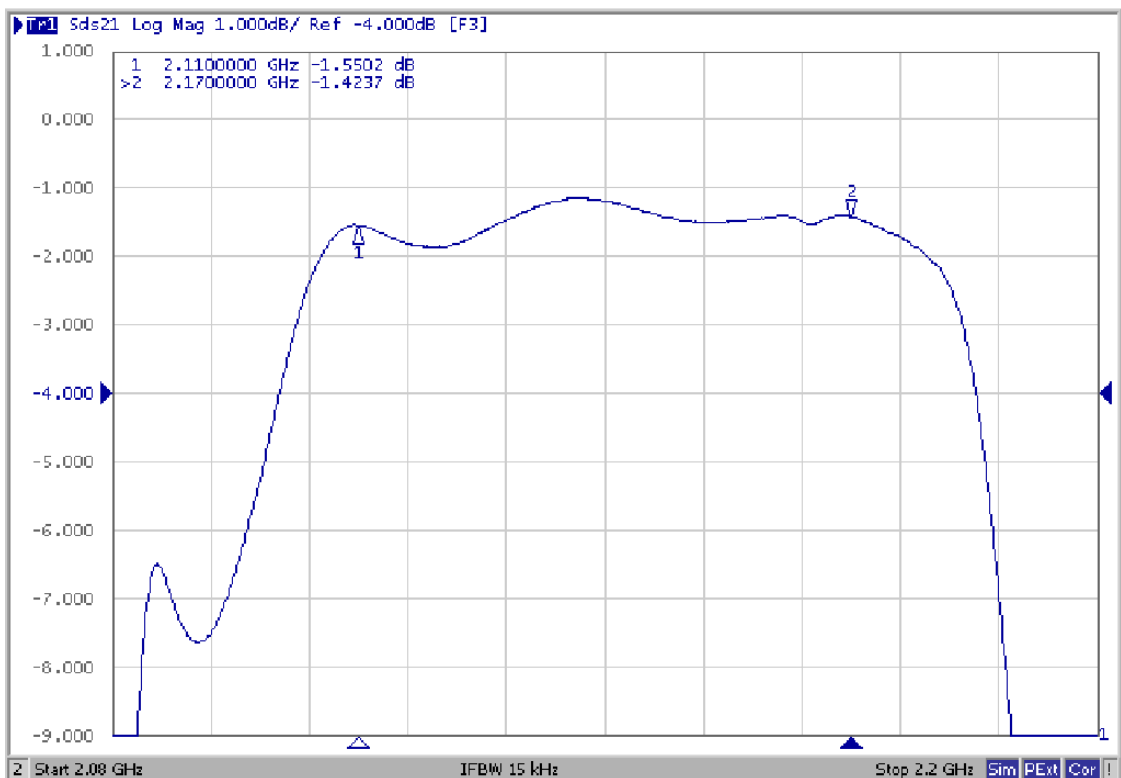
SAW Filter 2140.0MHz
Part No: MP05868

Model: TA1698A
Rev No: 1

VSWR



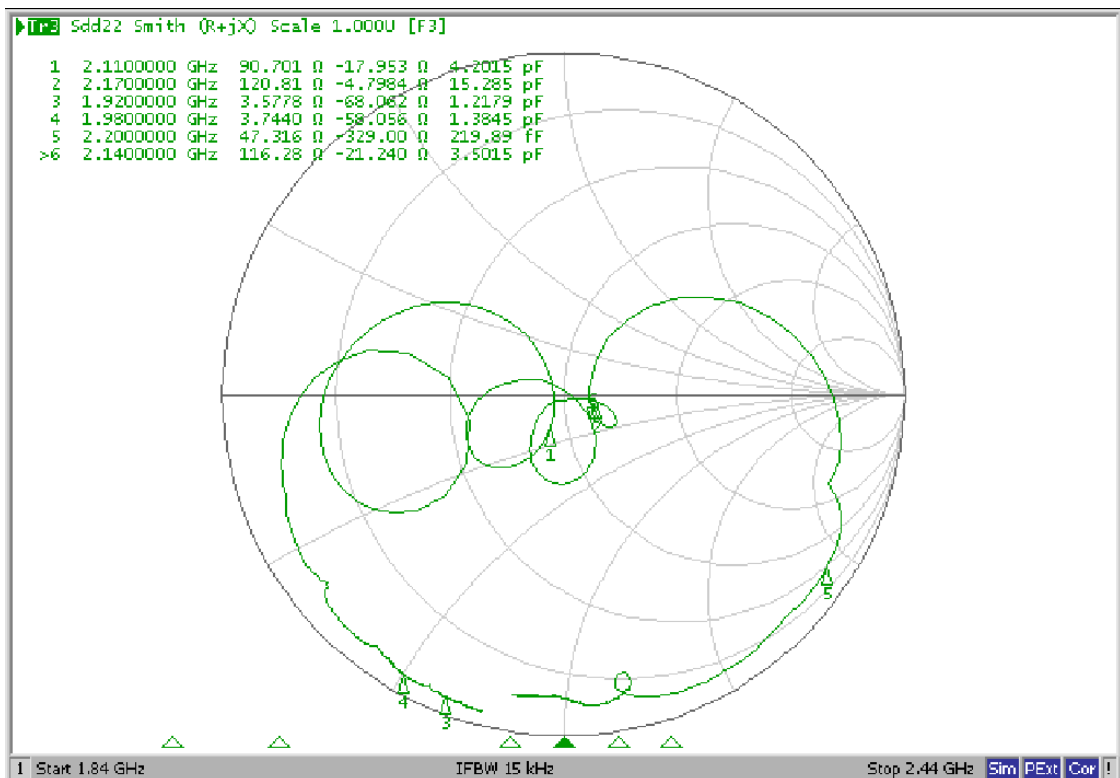
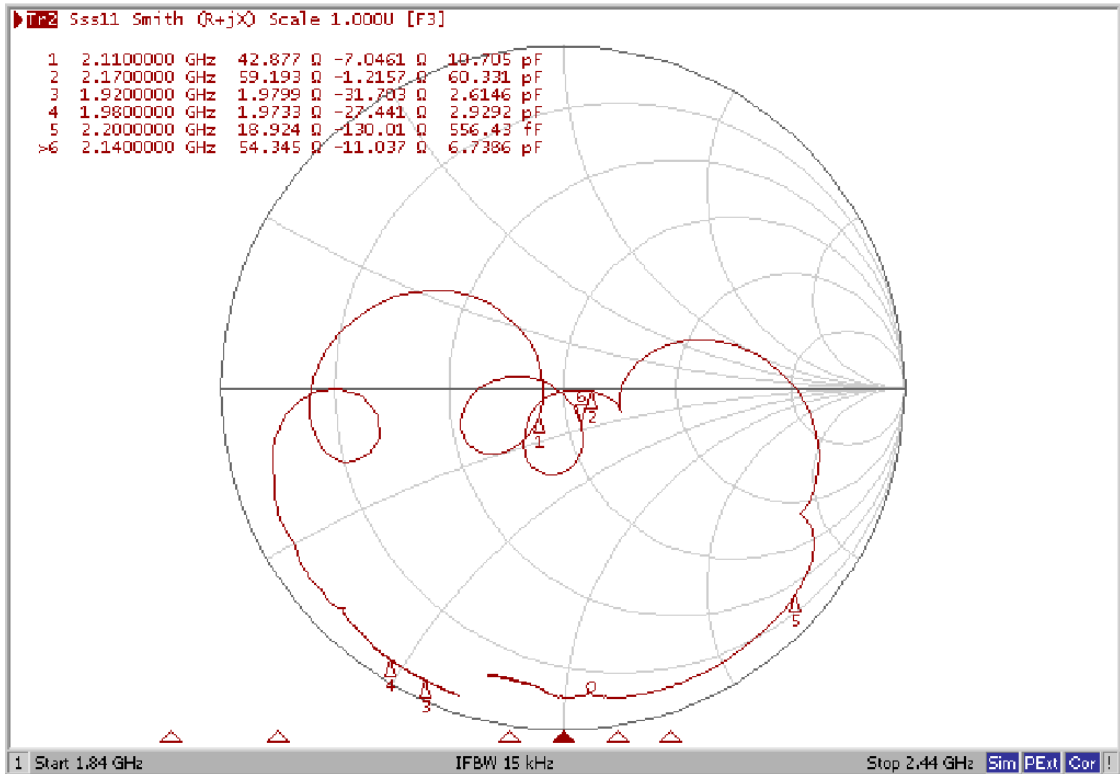
Ripple



SAW Filter 2140.0MHz
Part No: MP05868

Model: TA1698A
Rev No: 1

Smith Chart



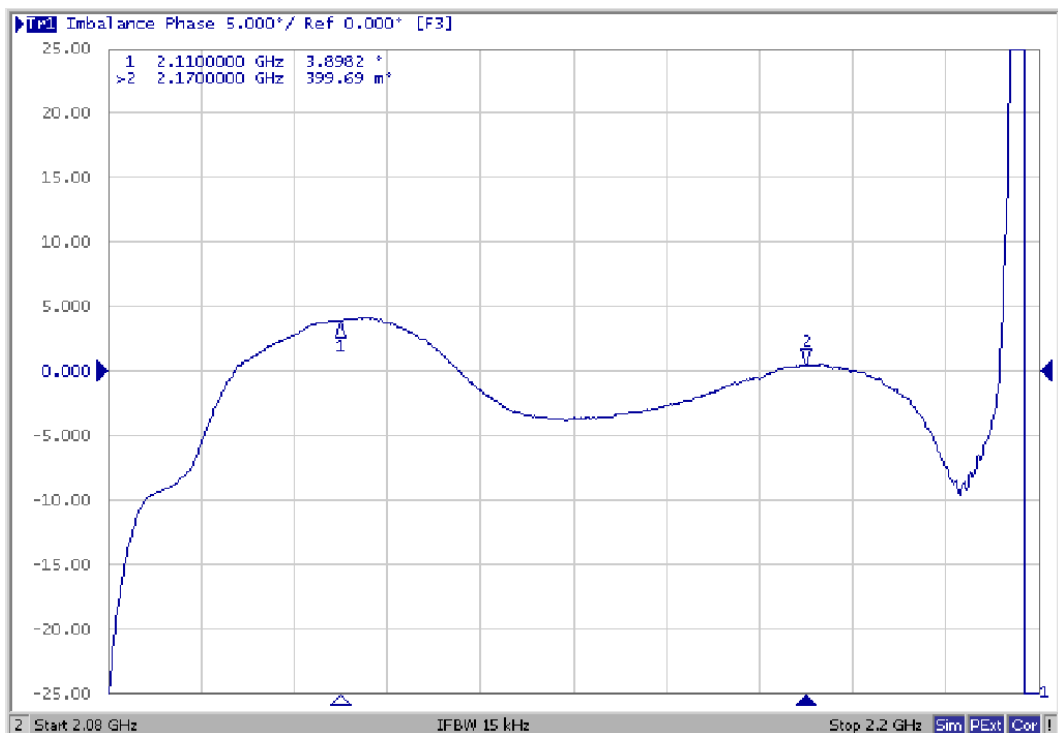
SAW Filter 2140.0MHz
Part No: MP05868

Model: TA1698A
Rev No: 1

Amplitude balance



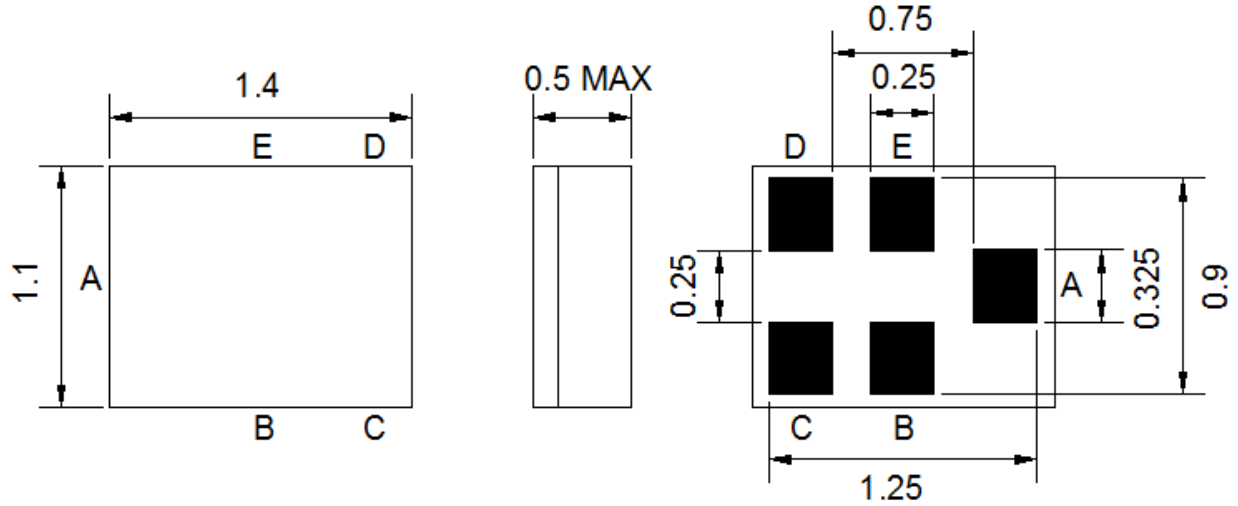
Phase balance



SAW Filter 2140.0MHz
Part No: MP05868

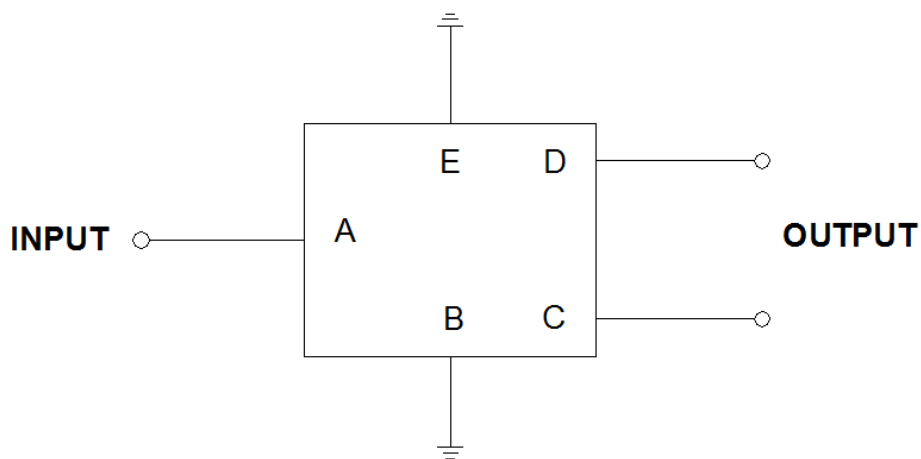
Model: TA1698A
Rev No: 1

D. OUTLINE DRAWING:



B, C, E: Ground
A: Input
D: Output

E. MEASUREMENT CIRCUIT:



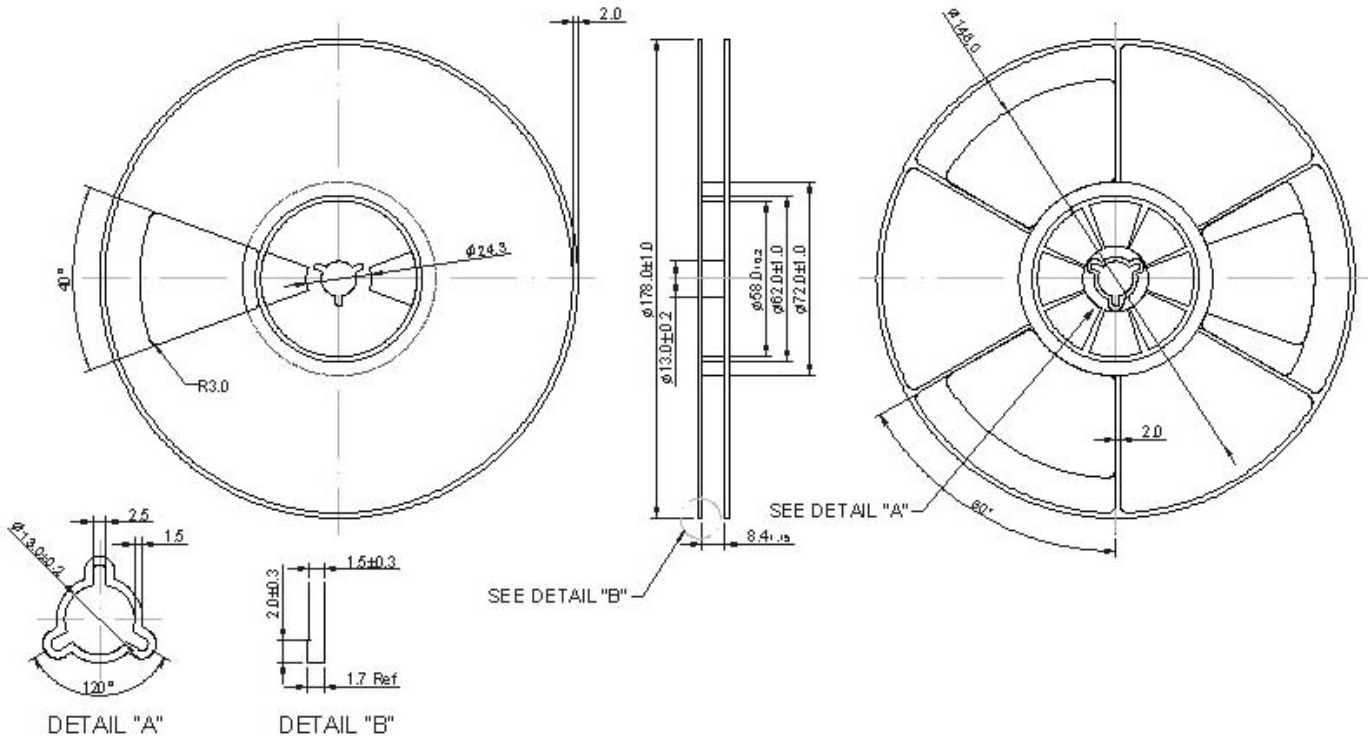
Source Impedance: 50Ω
Load Impedance: 100Ω
Source & Load Impedance: 50Ω

SAW Filter 2140.0MHz
Part No: MP05868

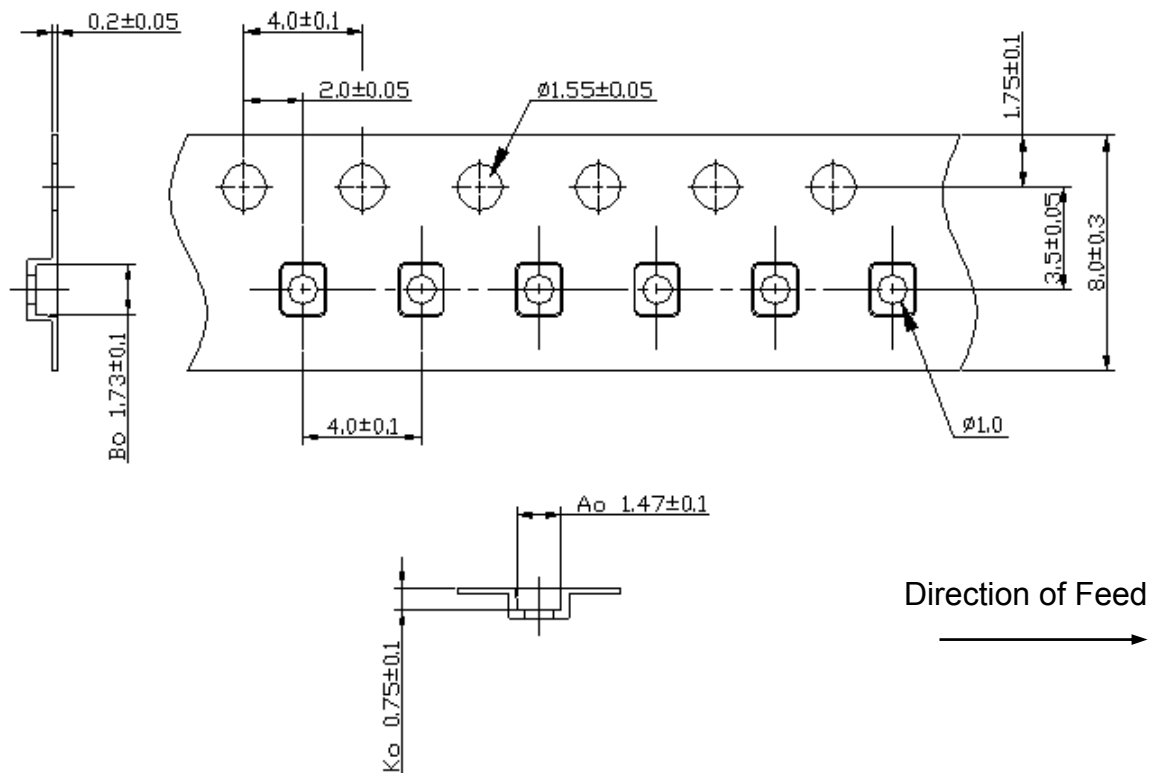
Model: TA1698A
Rev No: 1

F. PACKING:

1. Reel Dimension (Please refer To Fr-75d10 for packing quantity)



2. Tape Dimension



SAW Filter 2140.0MHz
Part No: MP05868

Model: TA1698A
Rev No: 1

G. RECOMMENDED REFLOW PROFILE:

